

HP35 / HP45 Keyboard - Logic Connections

↑ LHS of machine.

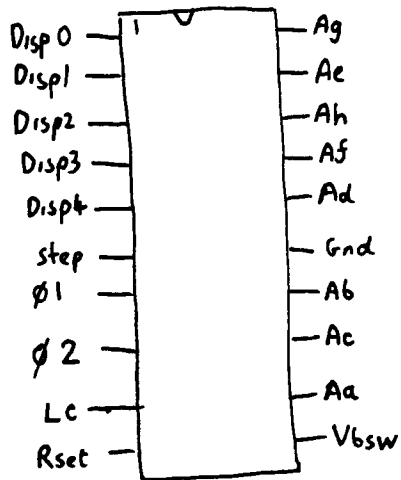
- Disp0
- Disp1
- KC1
- Disp2
- Disp3
- Disp4
- Ø1
- Ø2
- KC2
- V6sw
- +82V Vcc
- Gnd
- Gnd
- RCD
- KC3
- KR1
- KR2
- KR3
- KC5
- KR4
- KC4
- KR5
- KR6
- KR7
- KR8

HP35/HP45 Keyboard / Display

Anode Driver

1820-0853

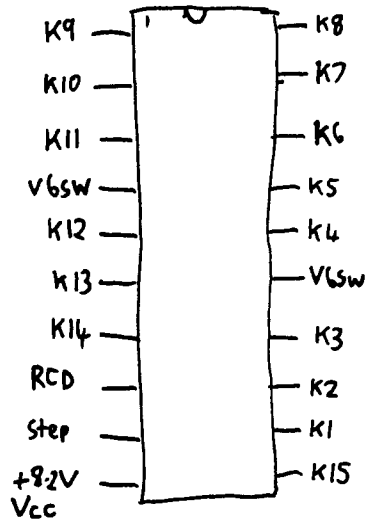
1820-1029



Cathode Driver

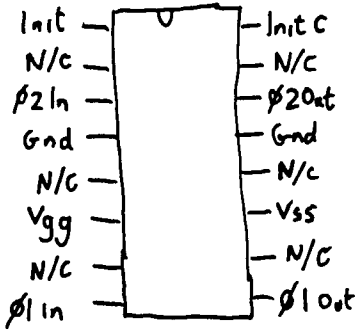
1820-0854

1820-1226

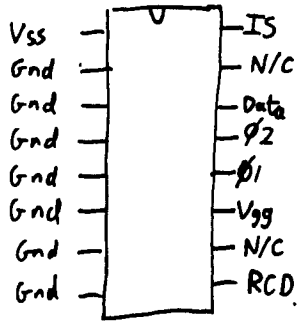


HP45 Logic

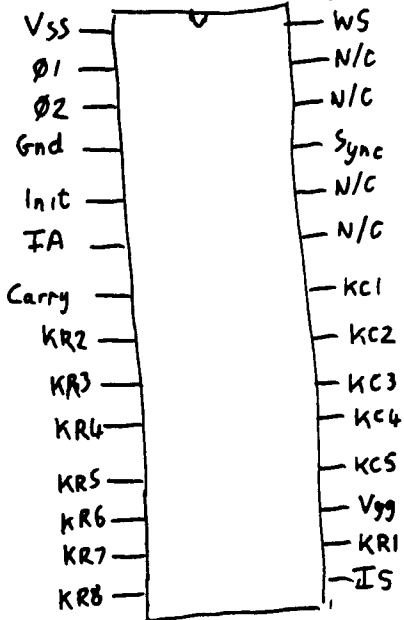
Clock Driver + Init
1820-1128



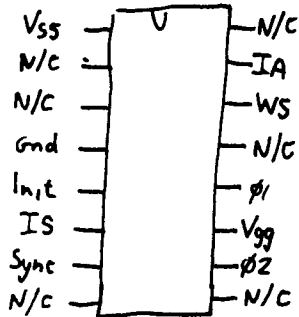
RAM
1820-0993



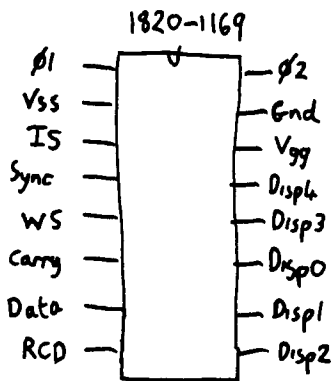
1818-0078
Control + Timing



1818-0057
1818-0082
ROM

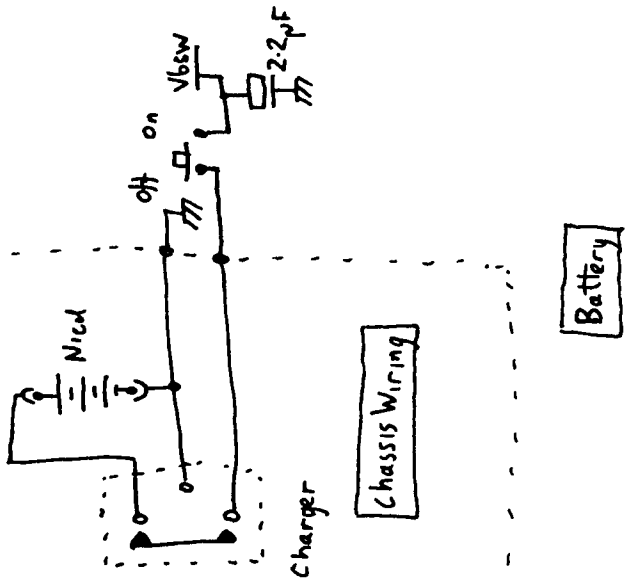
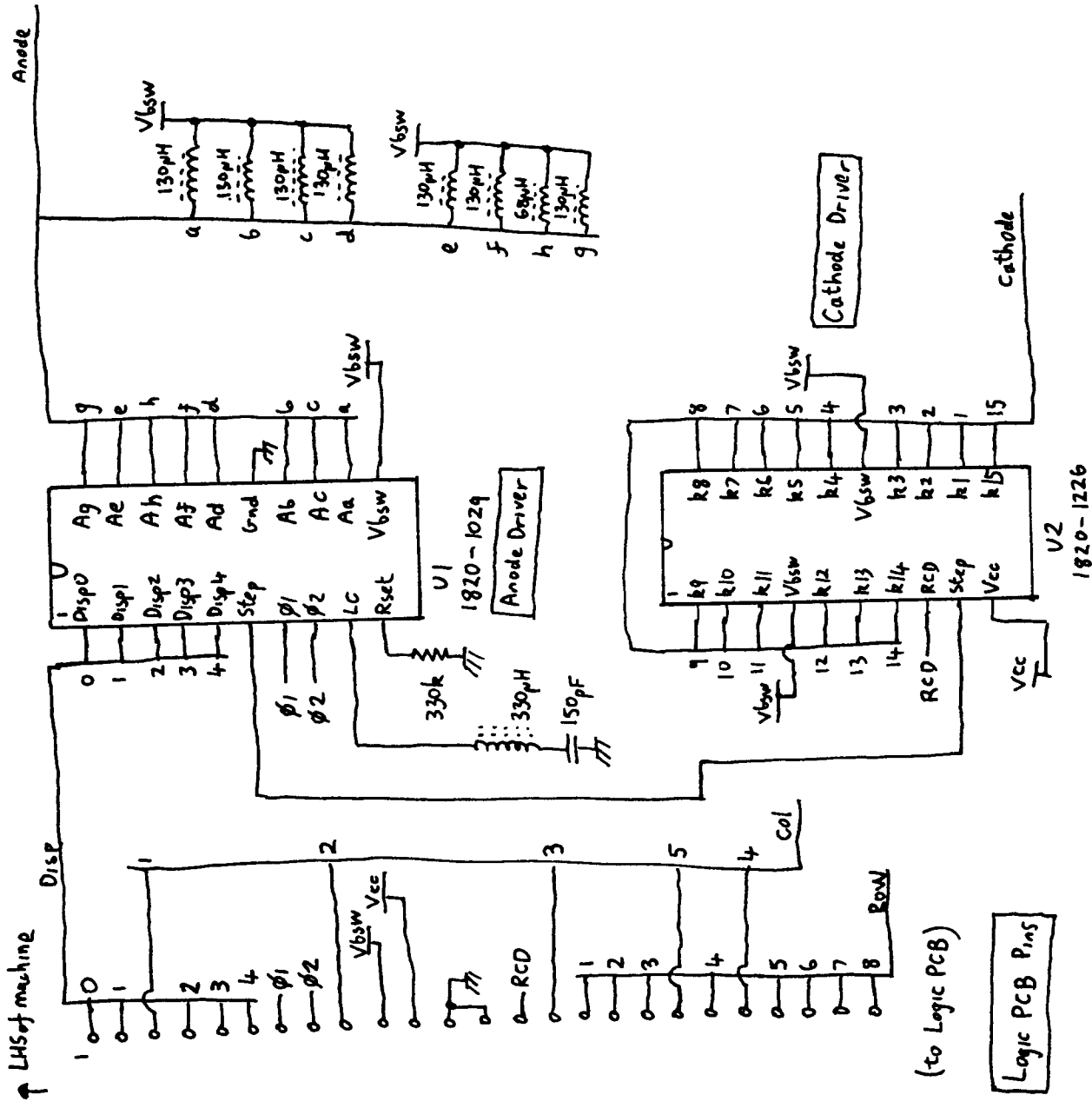


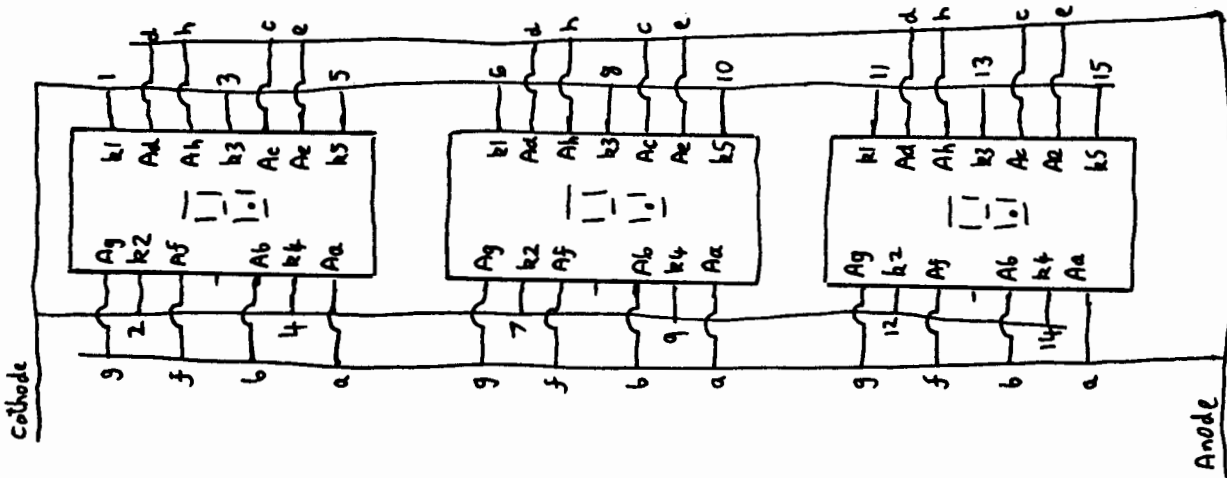
Arithmetic + Registers
1820-1169



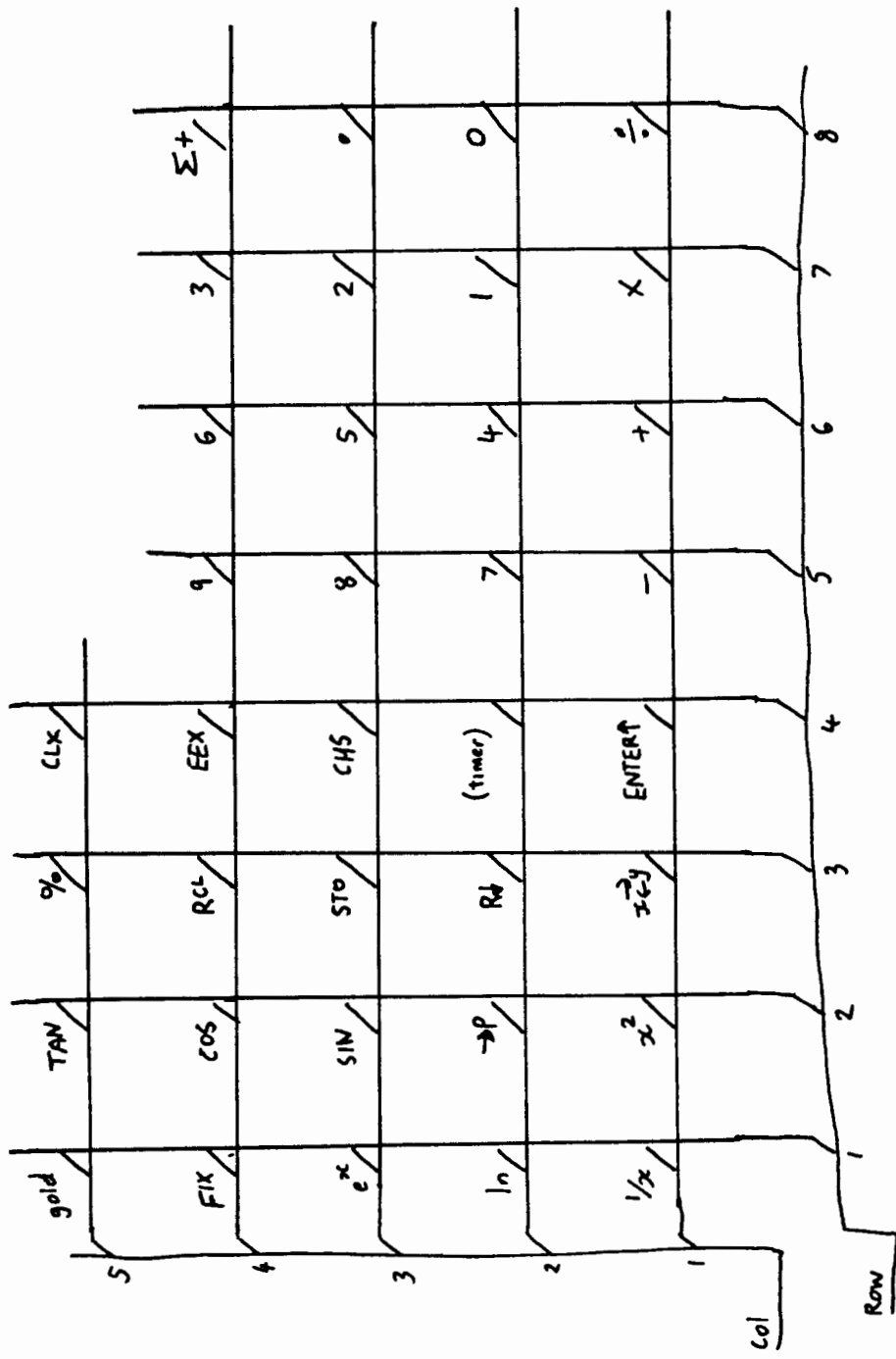
Top
↑

- Testpoints
- o Vss
 - o Gnd
 - o $\phi 1$
 - o $\phi 2$
 - o Vgg
 - o IS
 - o IA
 - o Sync
 - o WS
 - o Init
 - o Carry
 - o Data



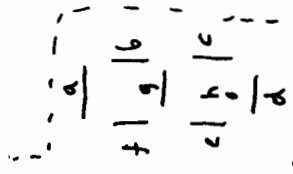


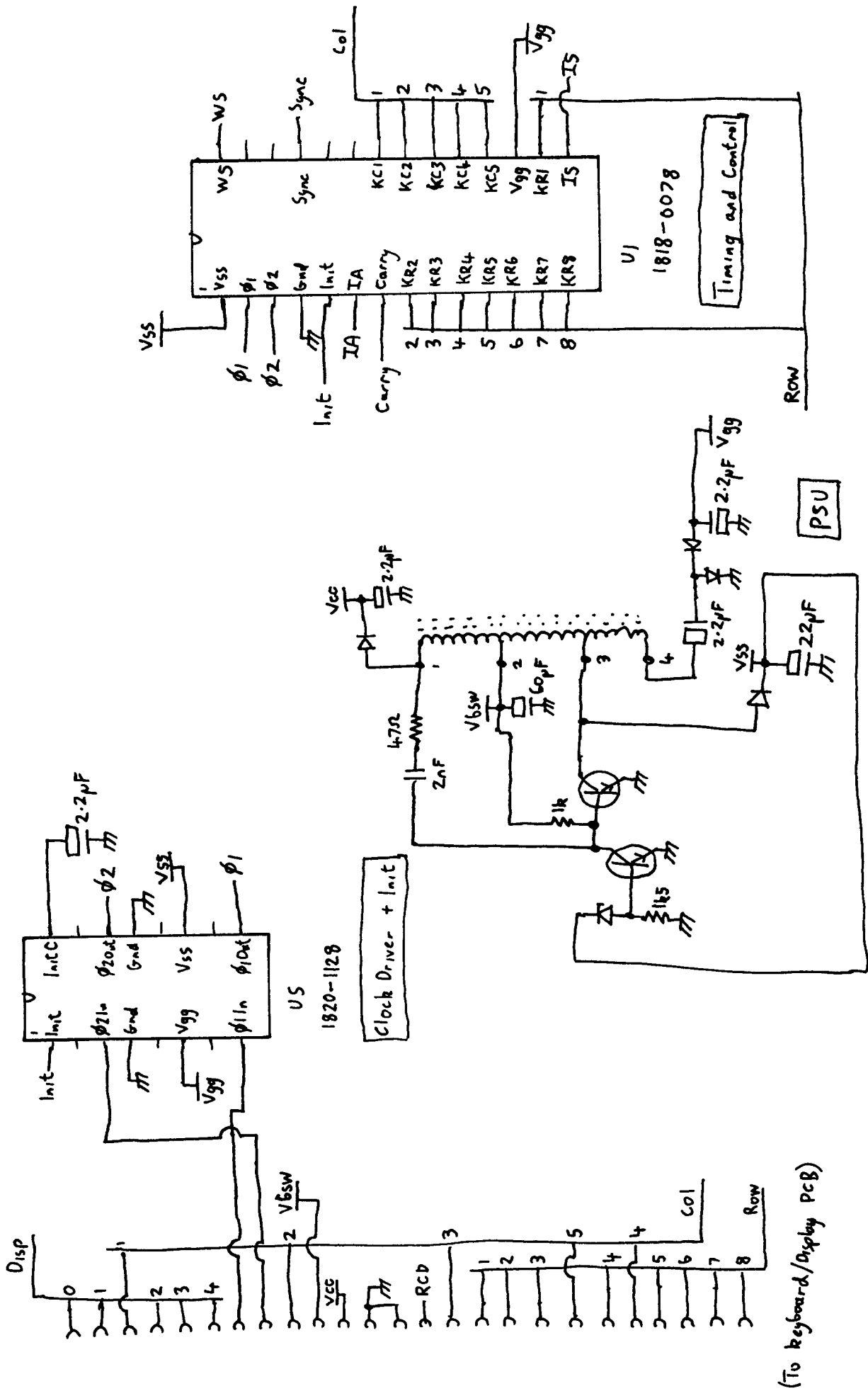
Display



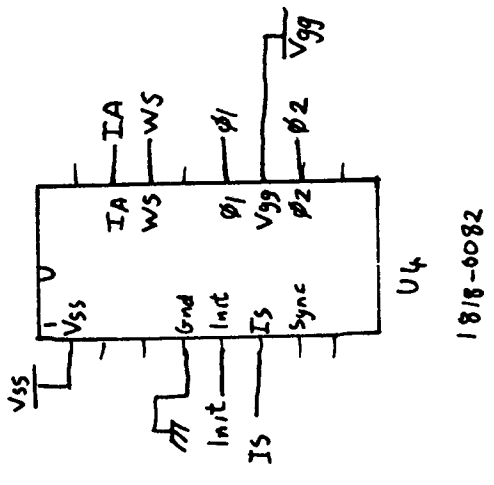
Keyboard

4 = 27

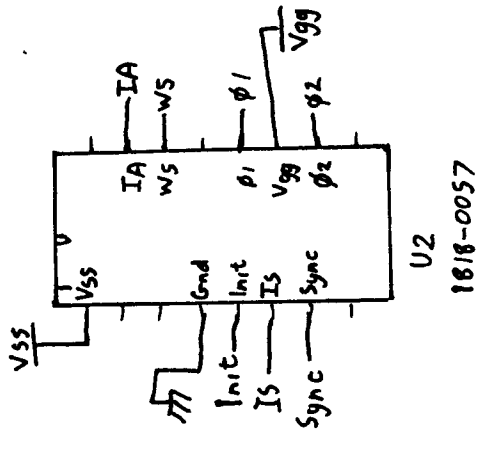




(To keyboard/Display PCB)

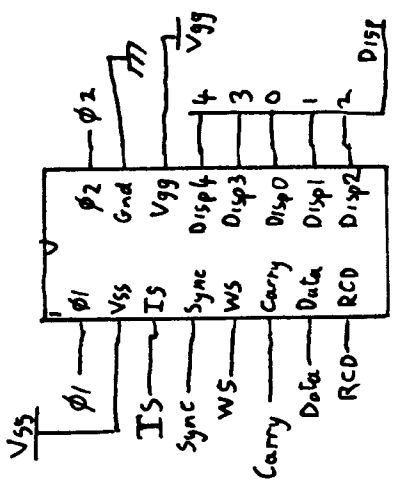


U4
1818-0082



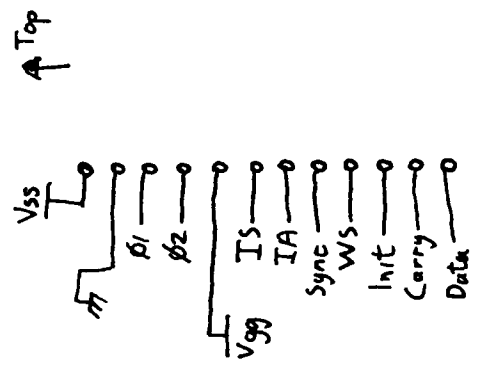
U2
1818-0057

ROM



U6
1820-1169

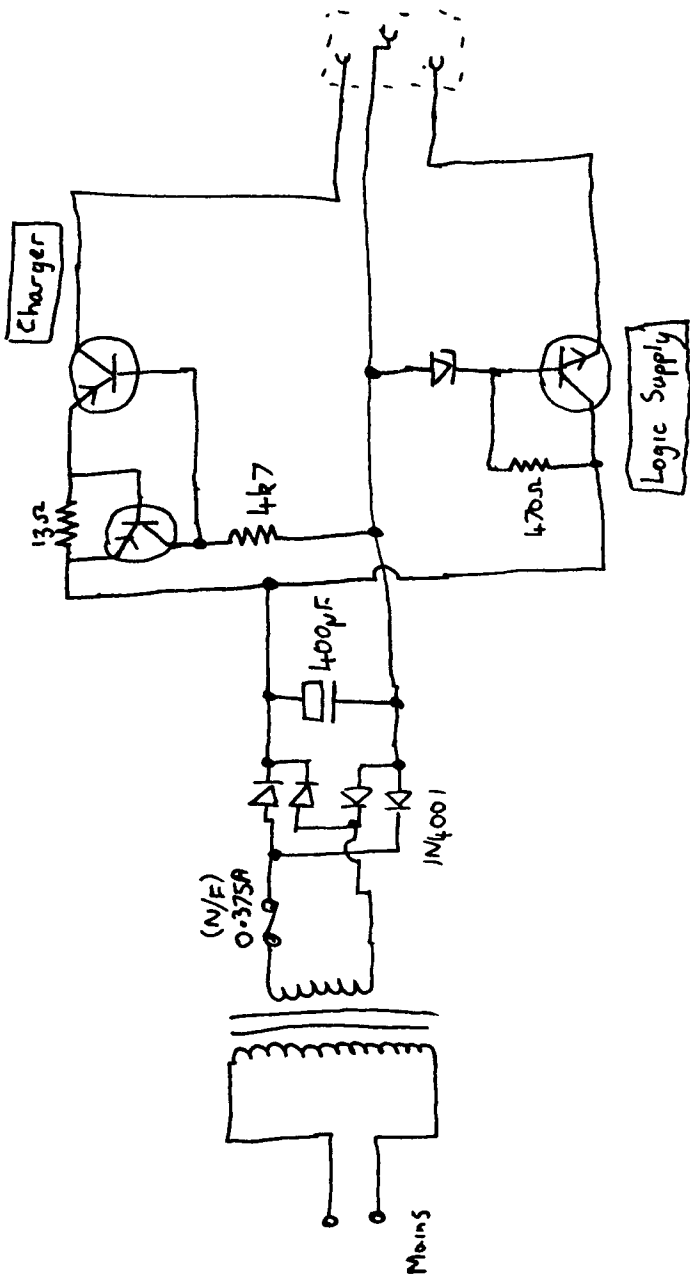
Arithmetic + Registers



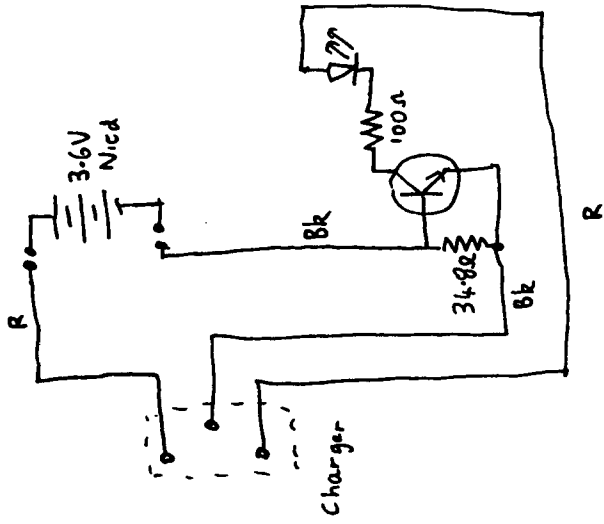
U3
1820-0093

RAM

Test points



82011A Charger



Classic Series' Reserve Power Pack