

Logic → Keyboard/Display Pins

- 0 Kc1
- 0 Kc2
- 0 Kc3
- 0 Kc4
- 0 St
- 0 RCD
- 0 Gnd
- 0 Gnd
- 0 Sa
- 0 Sb
- 0 Sc
- 0 Sd
- 0 Se
- 0 Sf
- 0 Sg
- 0 Sh
- 0 Swcom
- 0 Normsw
- 0 Mansw
- 0 Rndsw
- 0 Dagsw
- 0 Chargesw
- 0 Vcc
- 0 Vcc
- 0 Vcc
- 0 Vcc
- 0 Vbat
- 0 Vbat

Testpoint { 0 Vg9, 0 02, 0 01

- 0 LMS
- 0 W
- 0 Bl
- 0 R

Feed switch
HPD1

Row ↓

Testpoints

- 0 Data
- 0 ISP
- 0 F2
- 0 Sync

Row ↓

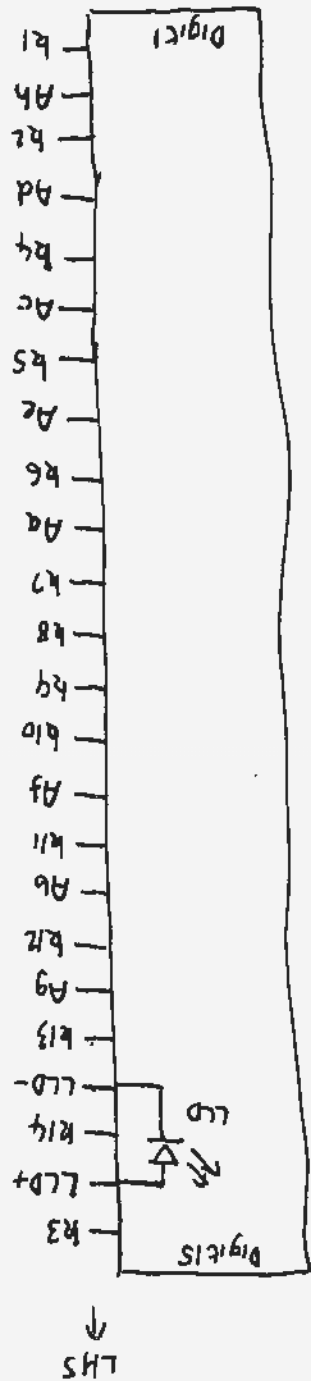
Logic → Printer Pins

- 0 D-OOPS
- 0 HomeSw
- 0 Lc1
- 0 Lc2
- 0 R.CSTL
- 0 VSS
- 0 Vm
- 0 R1
- 0 R2
- 0 R3
- 0 R4
- 0 R5
- 0 R6
- 0 R7
- 0 Bk
- 0 Rev
- 0 Fuel
- 0 Gnd
- 0 Gnd
- 0 Vcc
- 0 Vcc

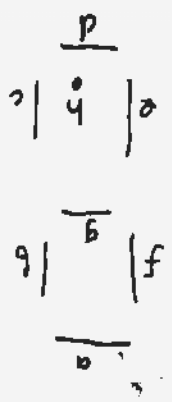
LMS ↓

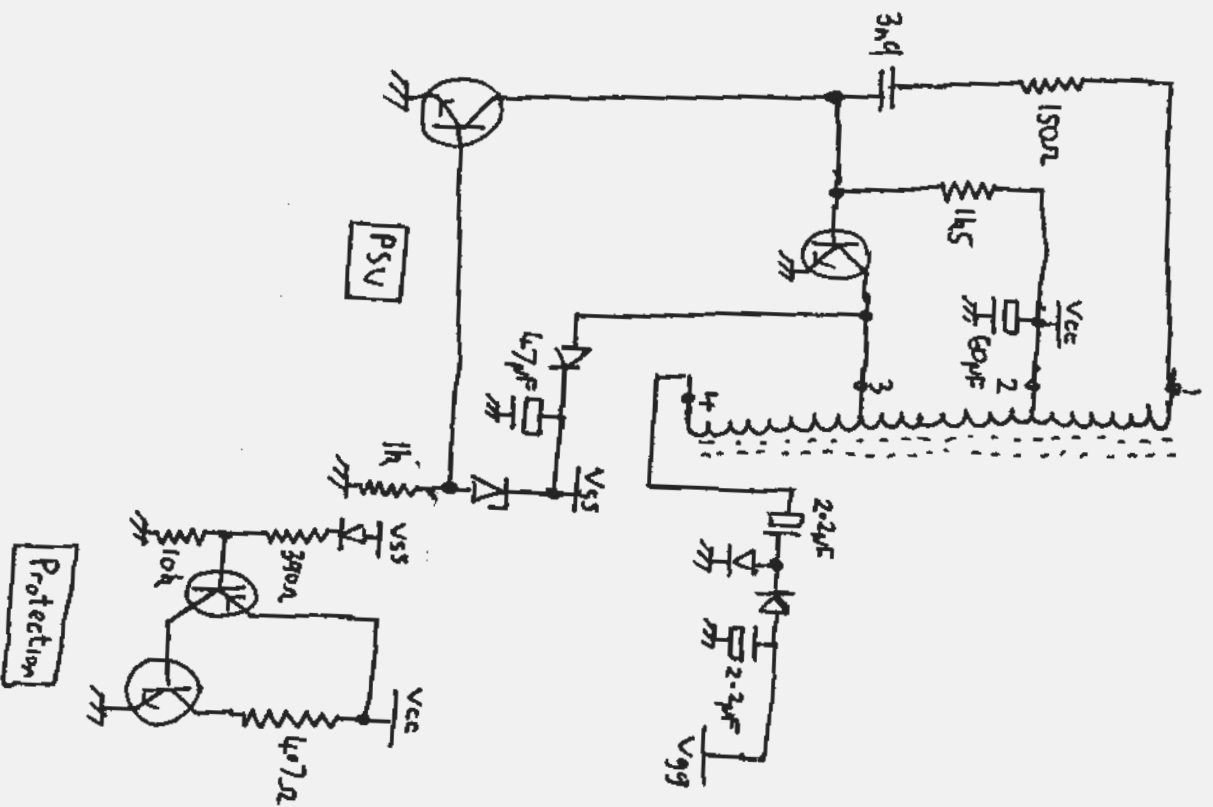
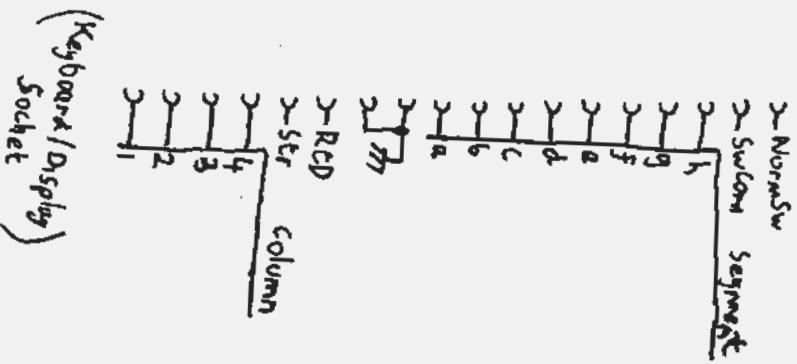
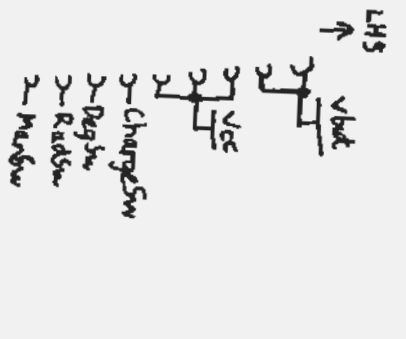
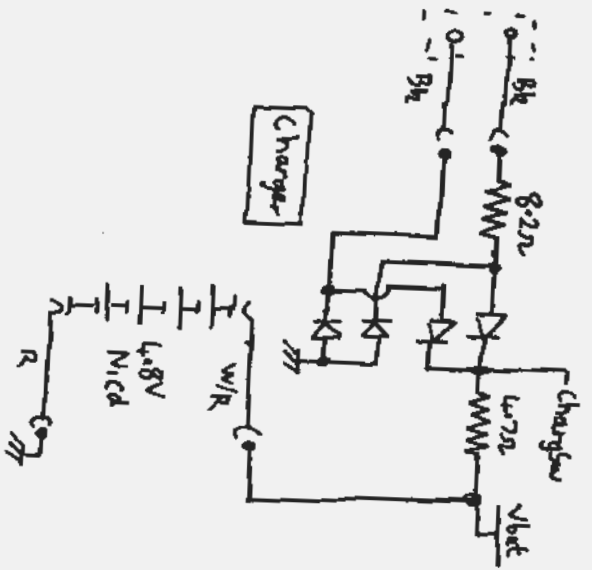
Power
 0 R } Battery
 0 W/R }
 0 Bk } Charger
 0-Bk }

Topcat Display

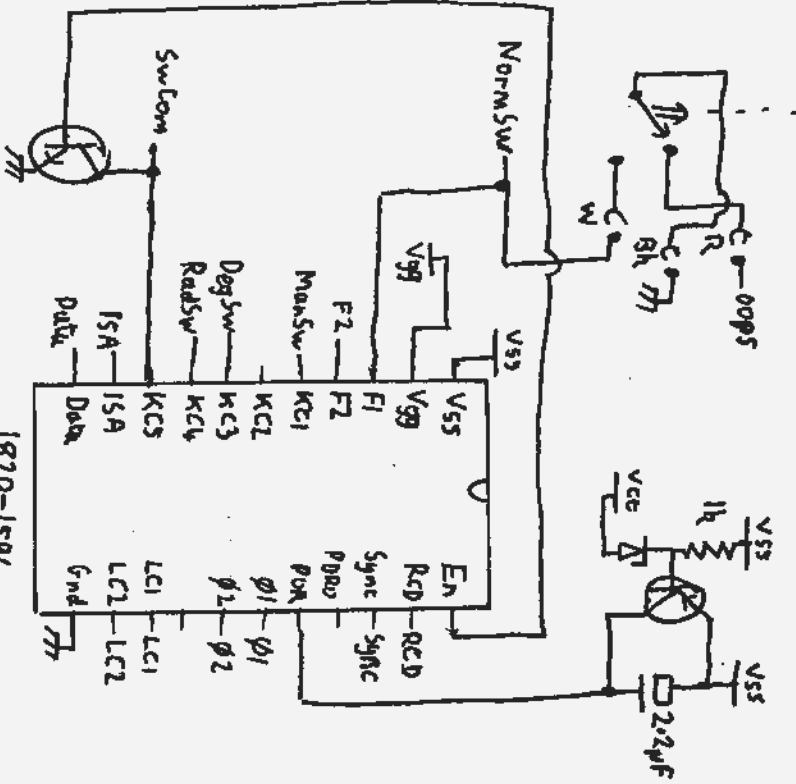


Note: k3 has only 9 segments
 Digit15 has only 9 segments,
 mapped as k3/e.



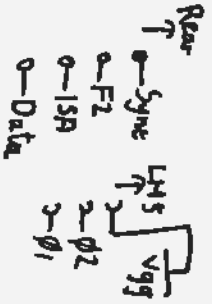


Paper-Feed

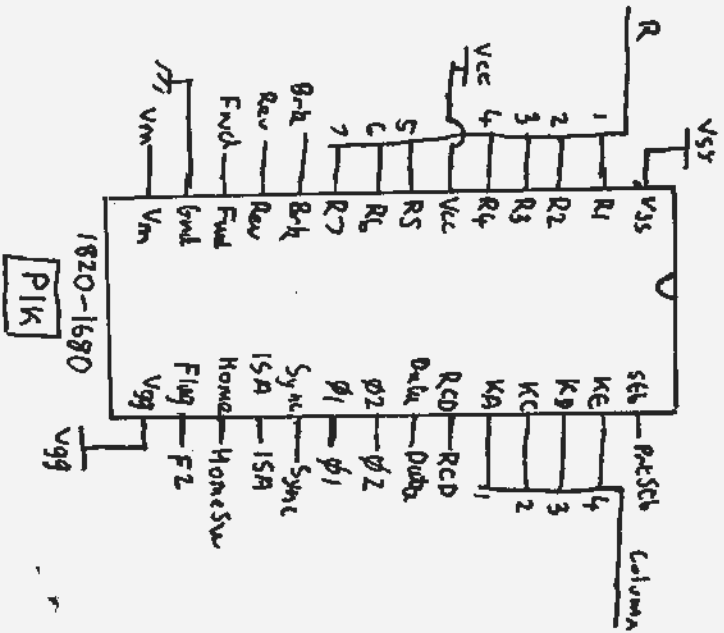


1820-1596

ACT

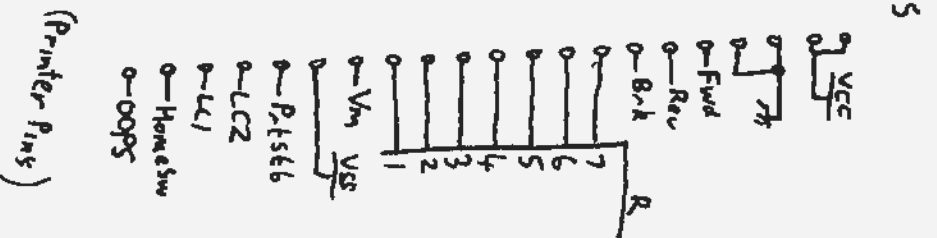


Testpoints

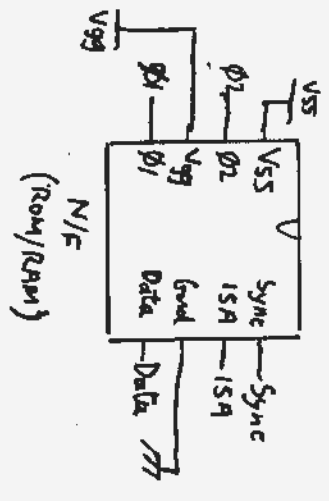
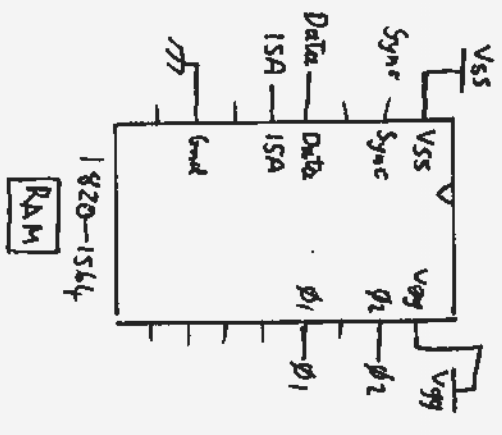
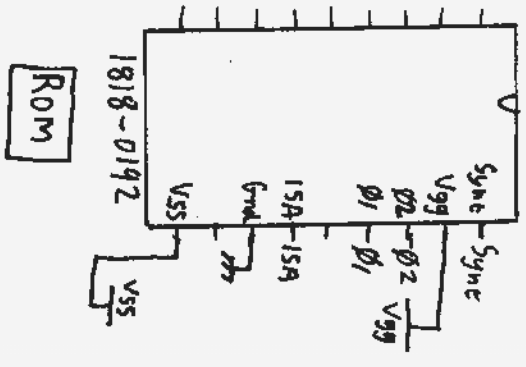
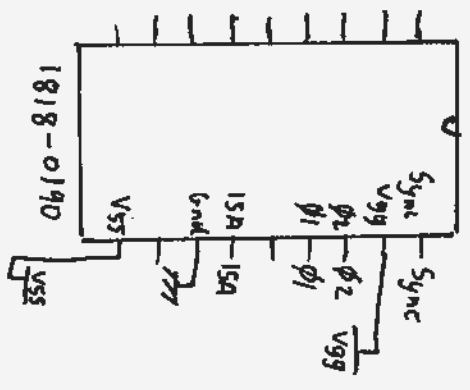
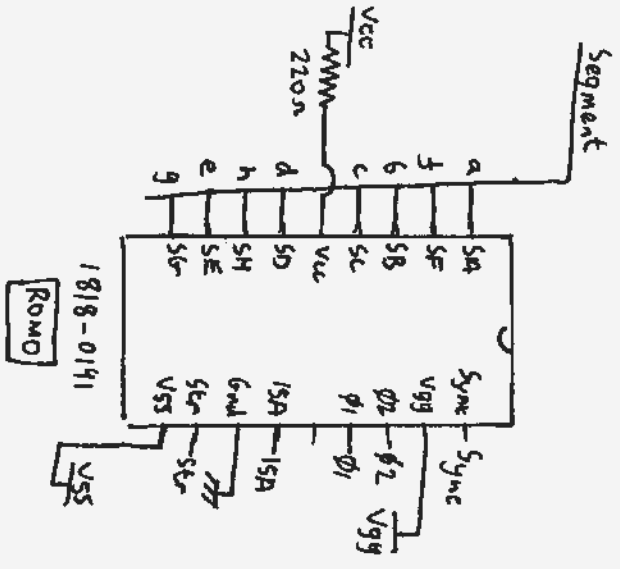


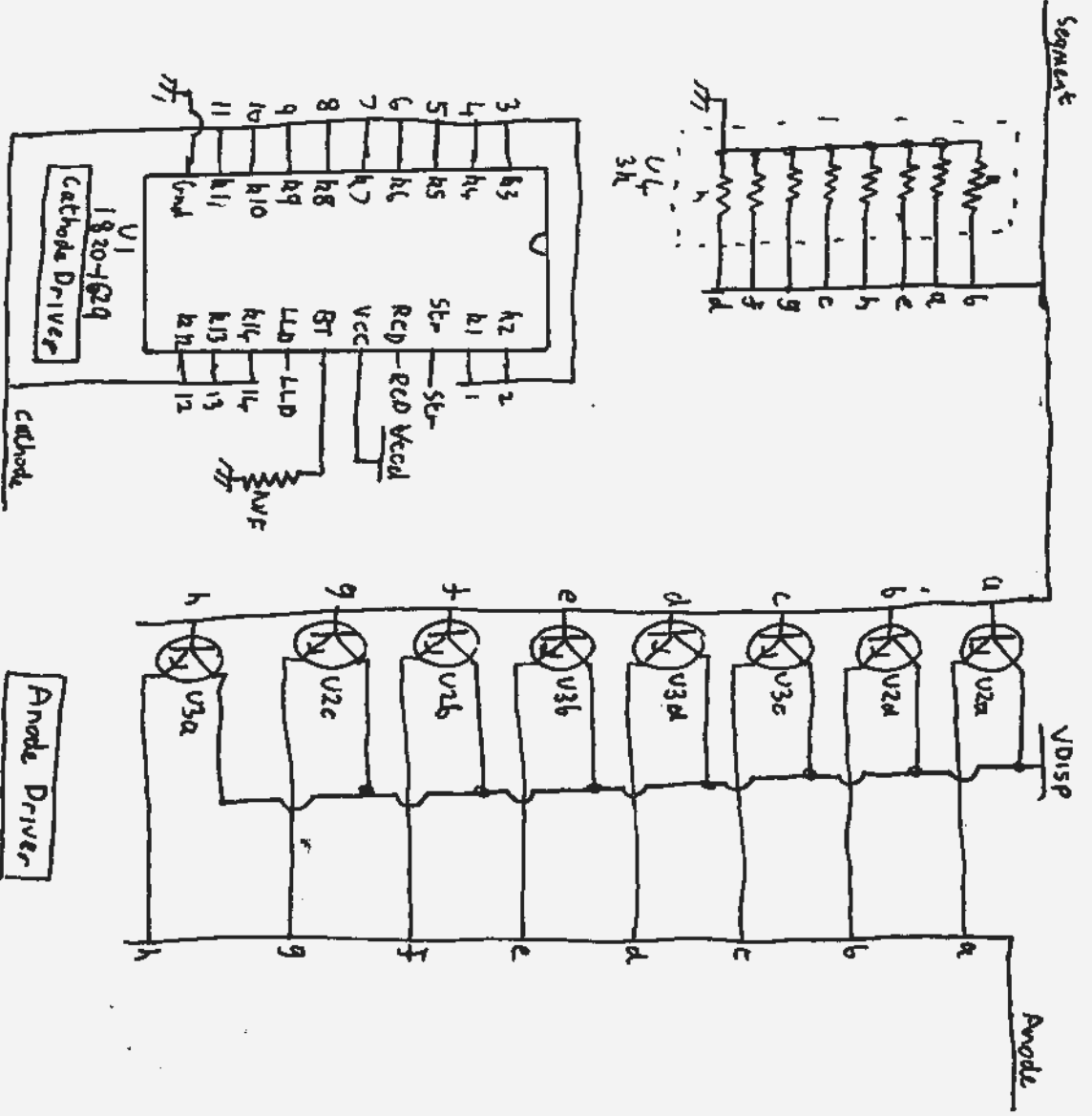
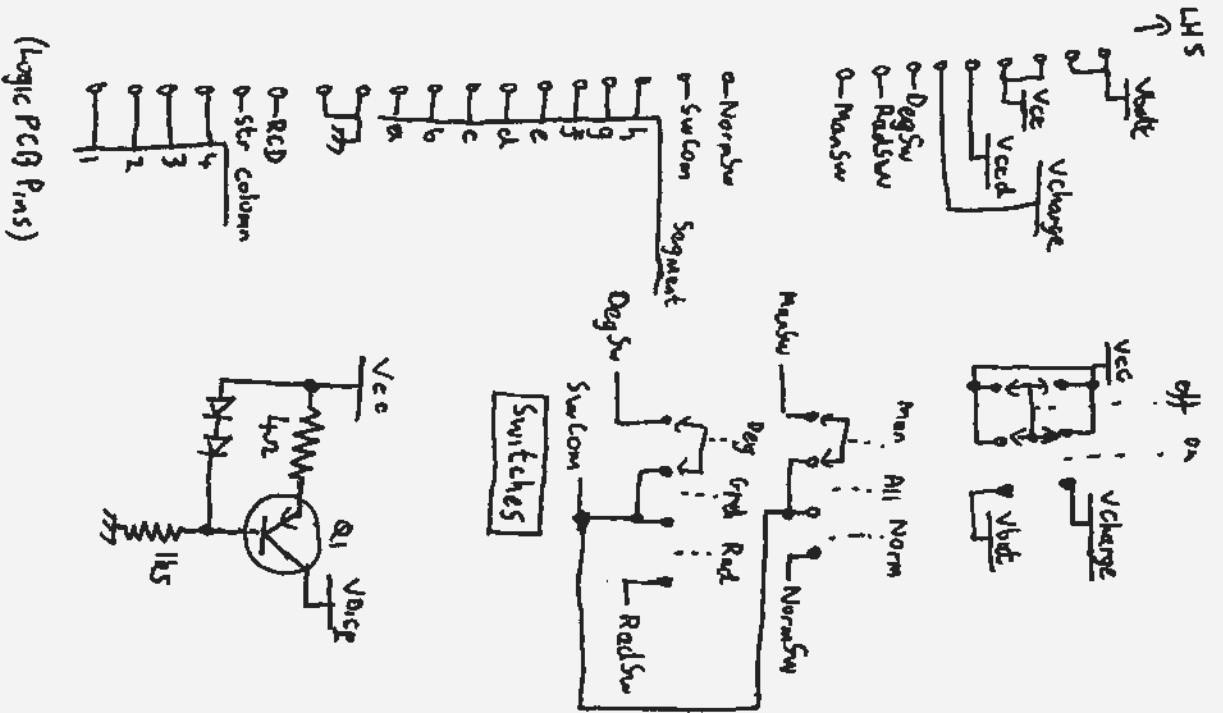
1820-1680

PIK

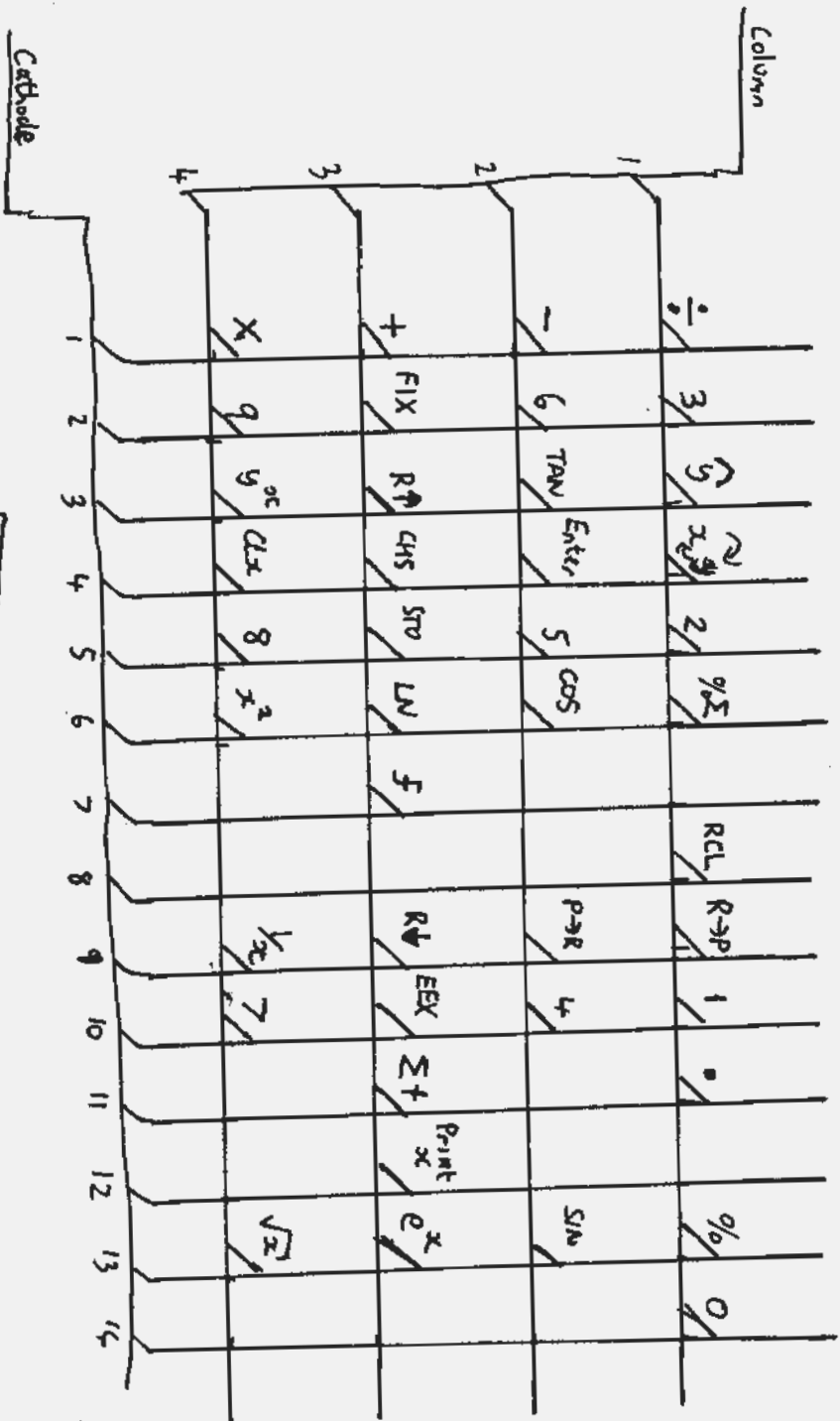
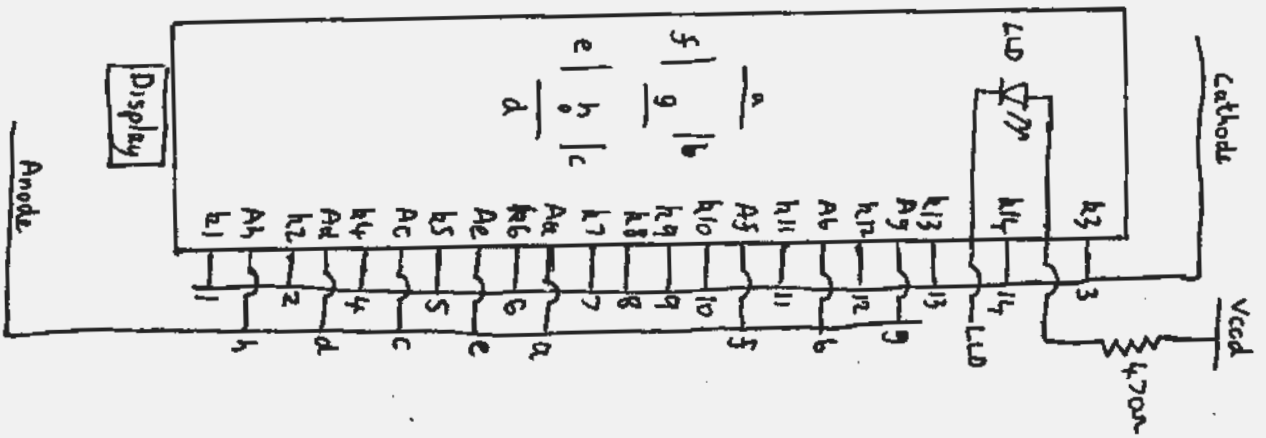


(Printer Pins)



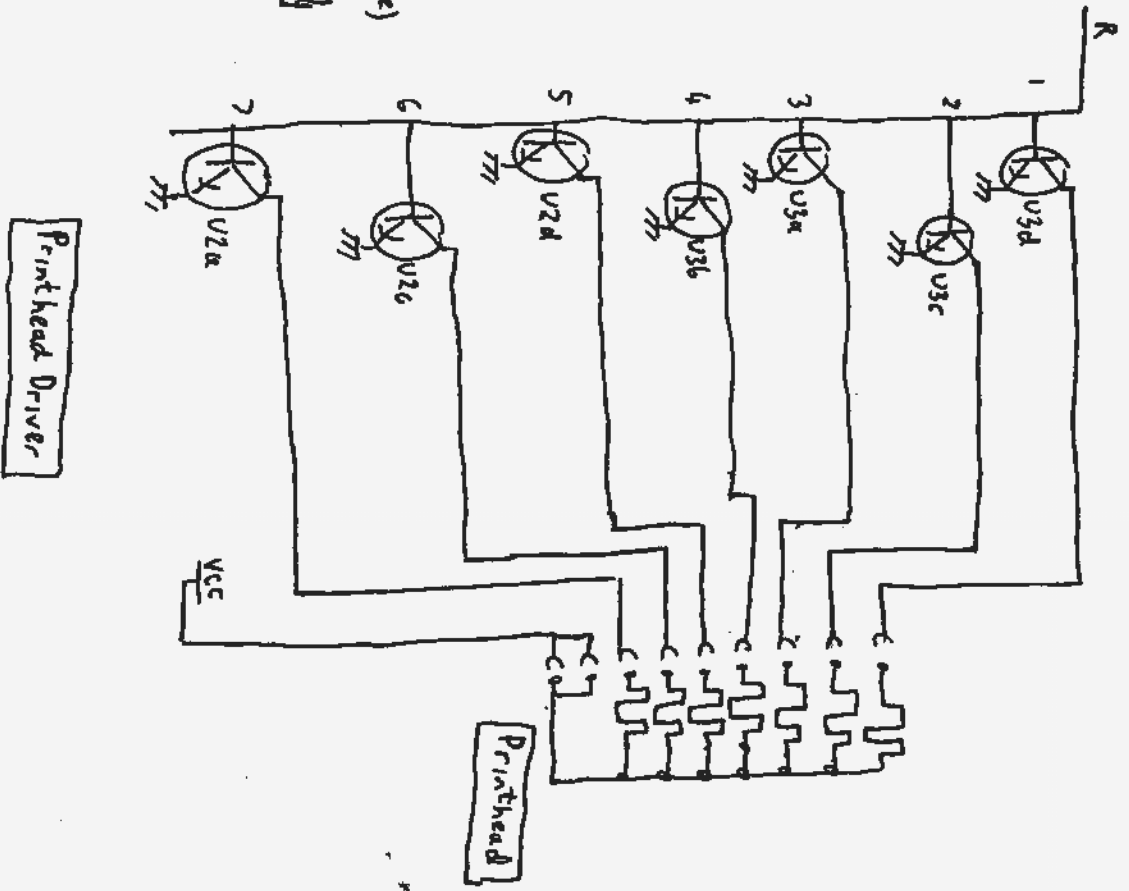
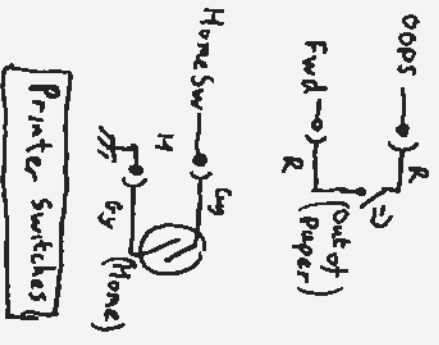
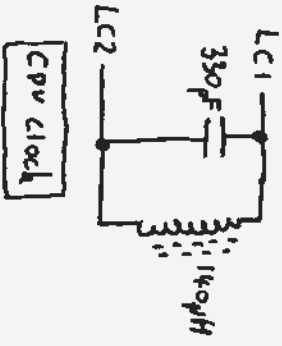
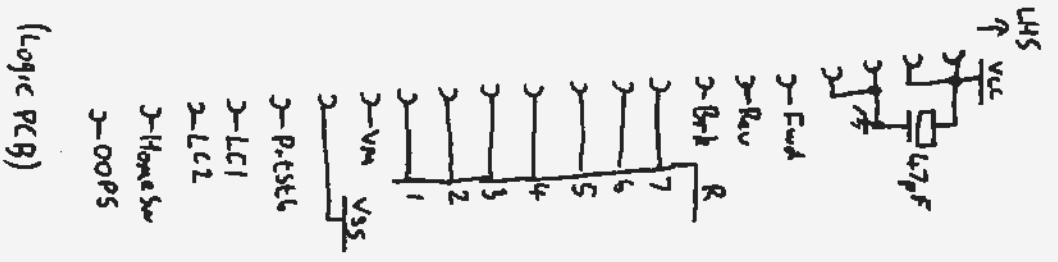


U2, U3 = 1858-0044

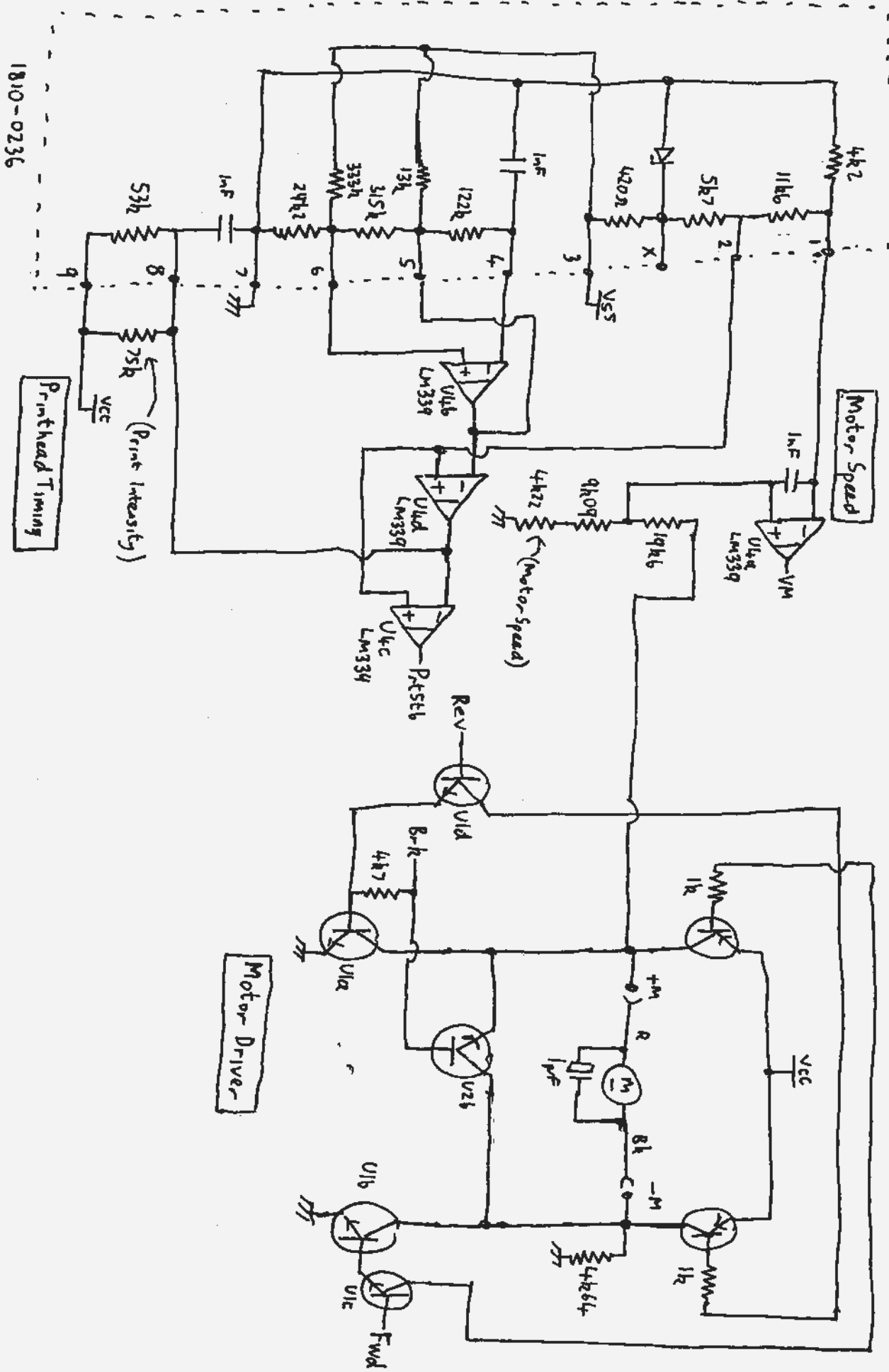


Keyboard



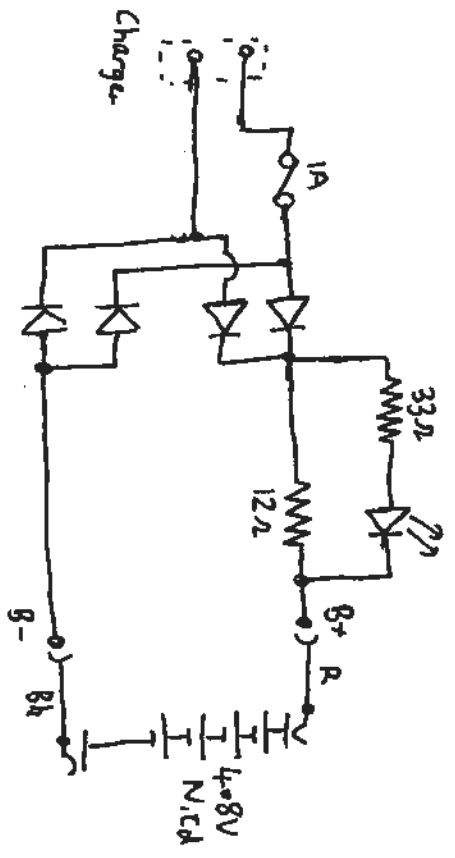


1810-0236



Topcat Printer PCB Sheet ②

00041-60001



HP82037 Topcat Reserve Power Pack

82037-60001