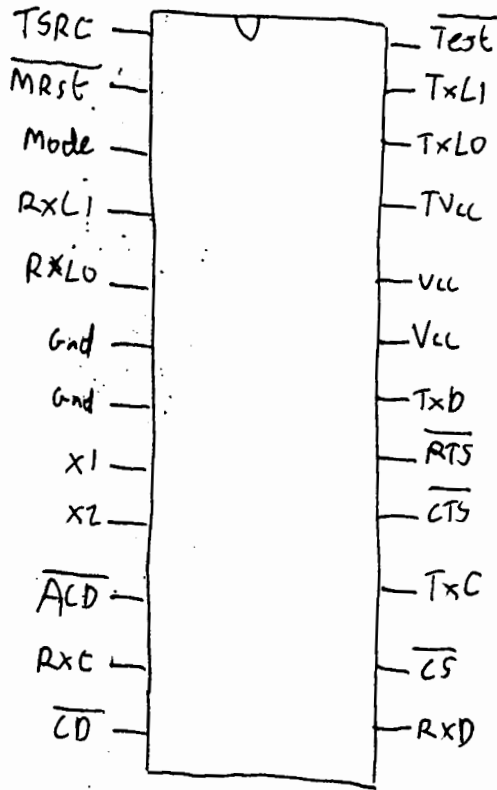


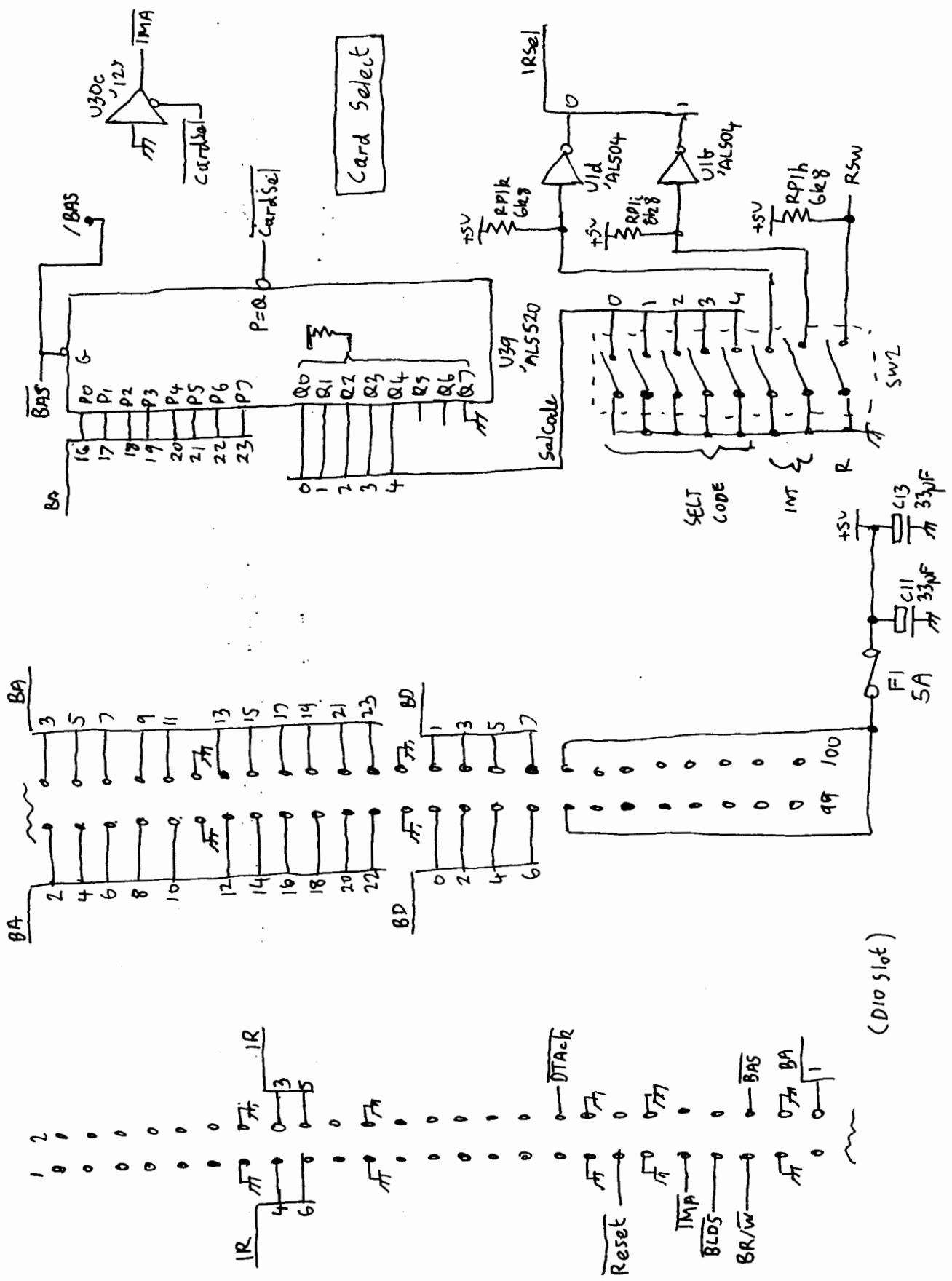
MP50962

Manchester Coded Data Transceiver

AM7960 (1825-1388)



- TSRC = Tx Slow Rate Control
- RXL = Rx Input
- TxL = Tx Output
- CS = Carrier Sense
- ACD = Advance Carrier Detect

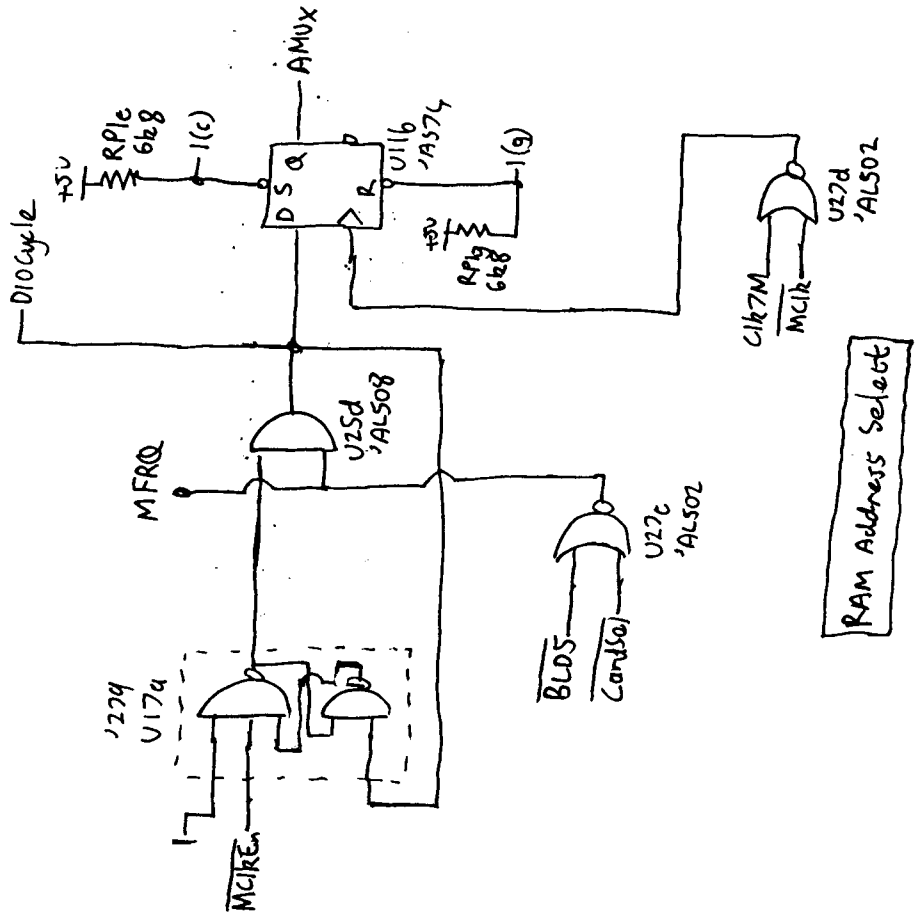
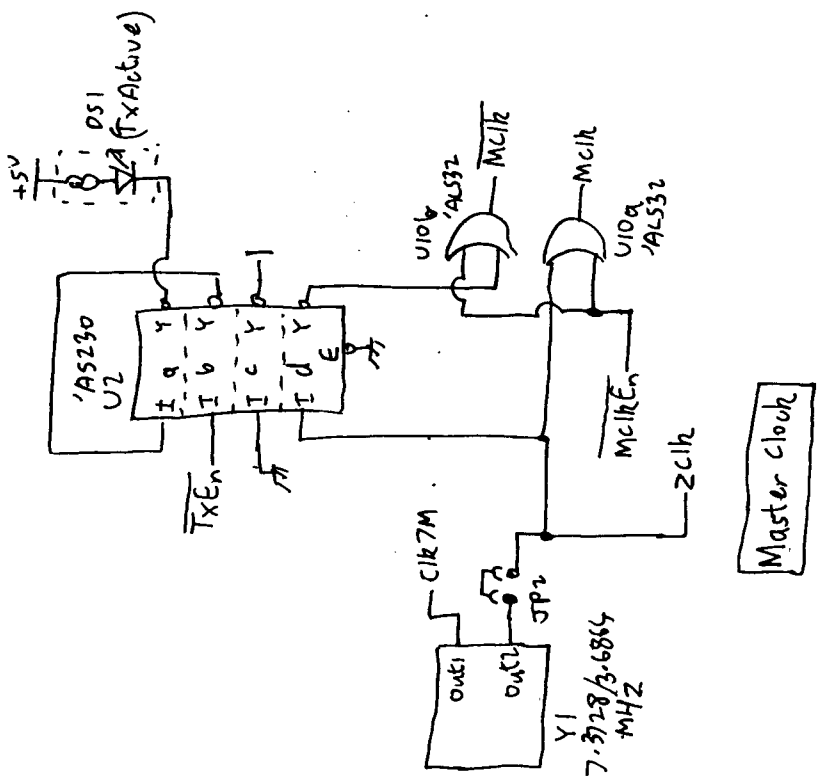


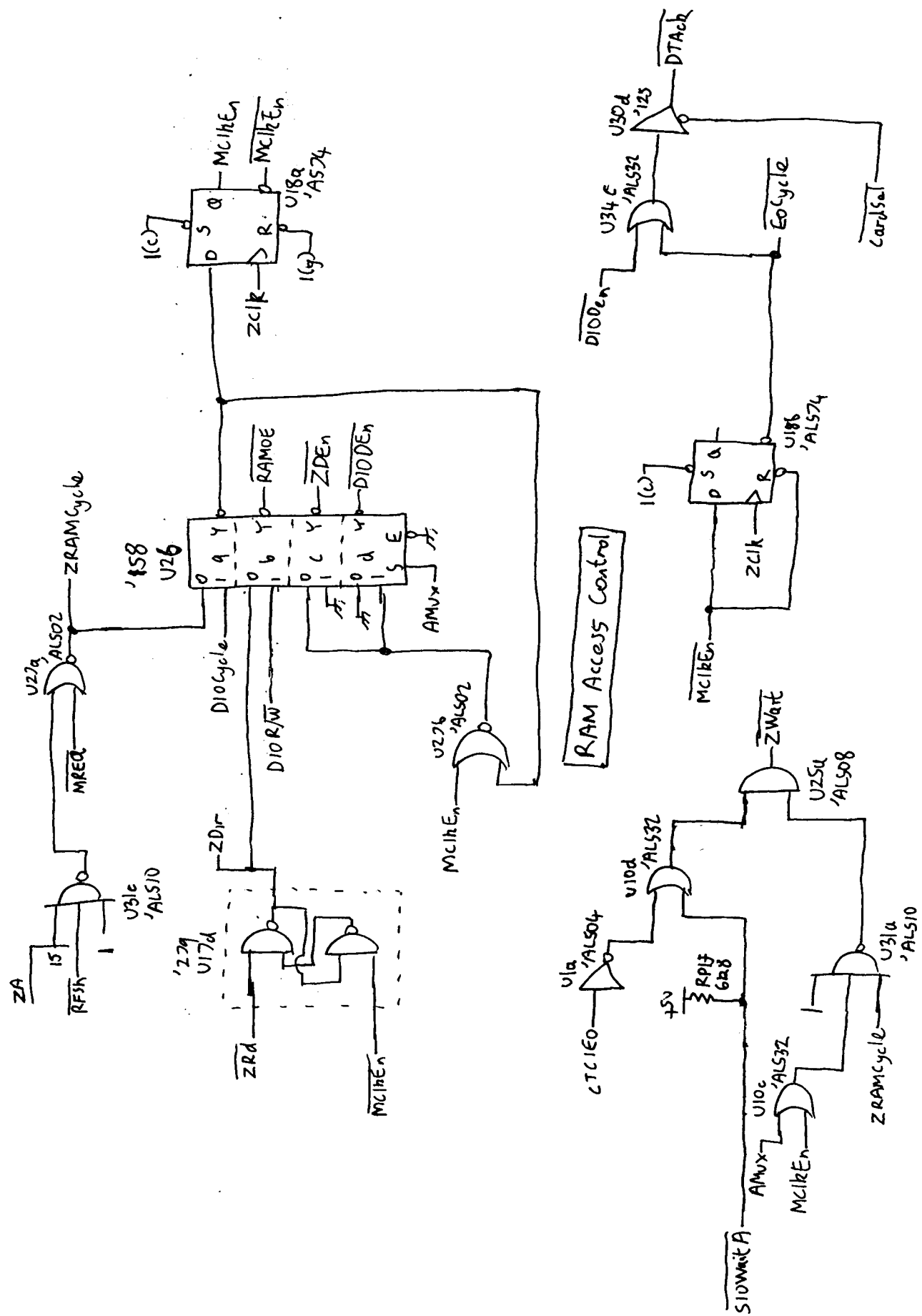
50962-66S01

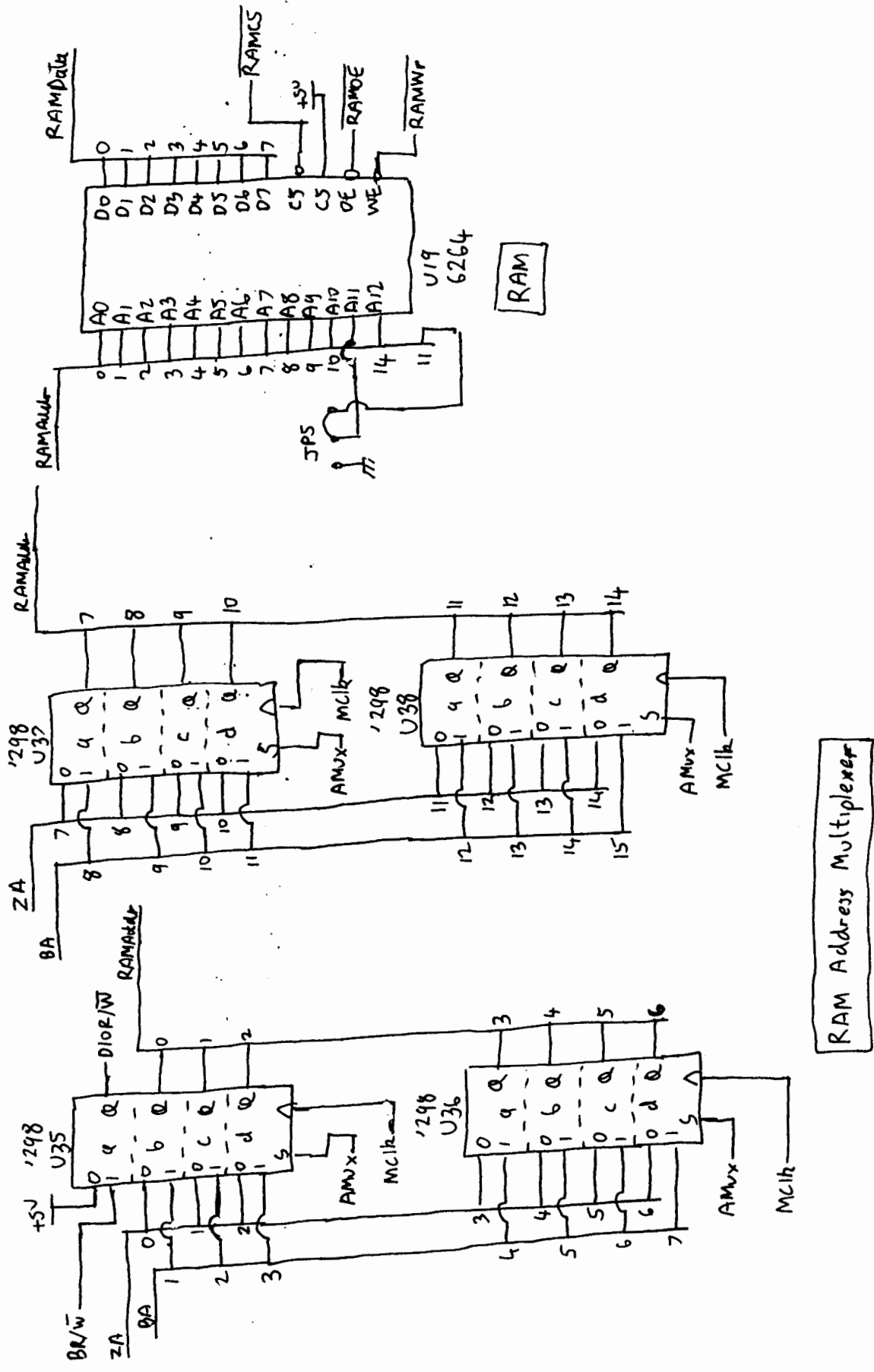
D10 SRM PCB sheet 1

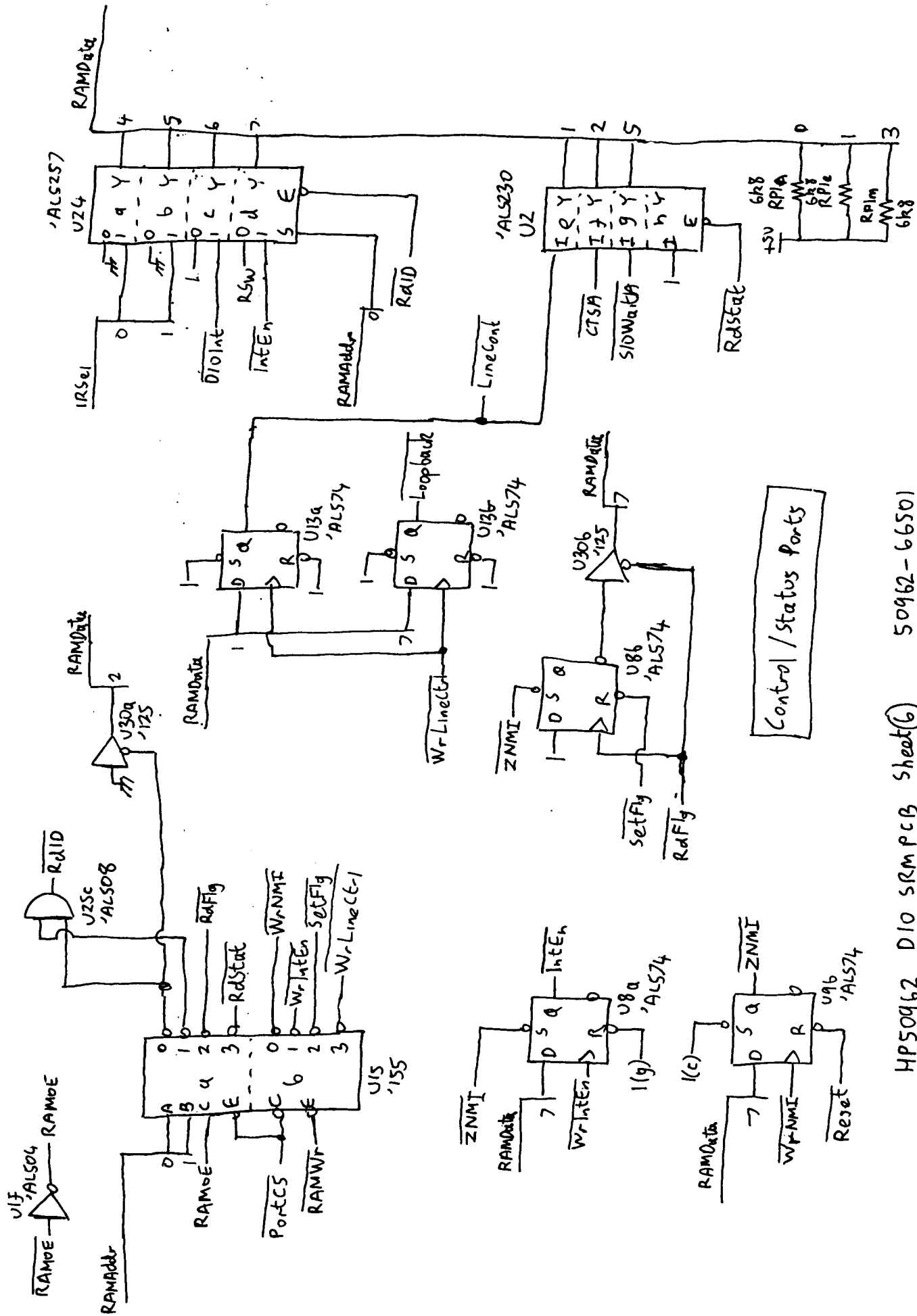
HP50962

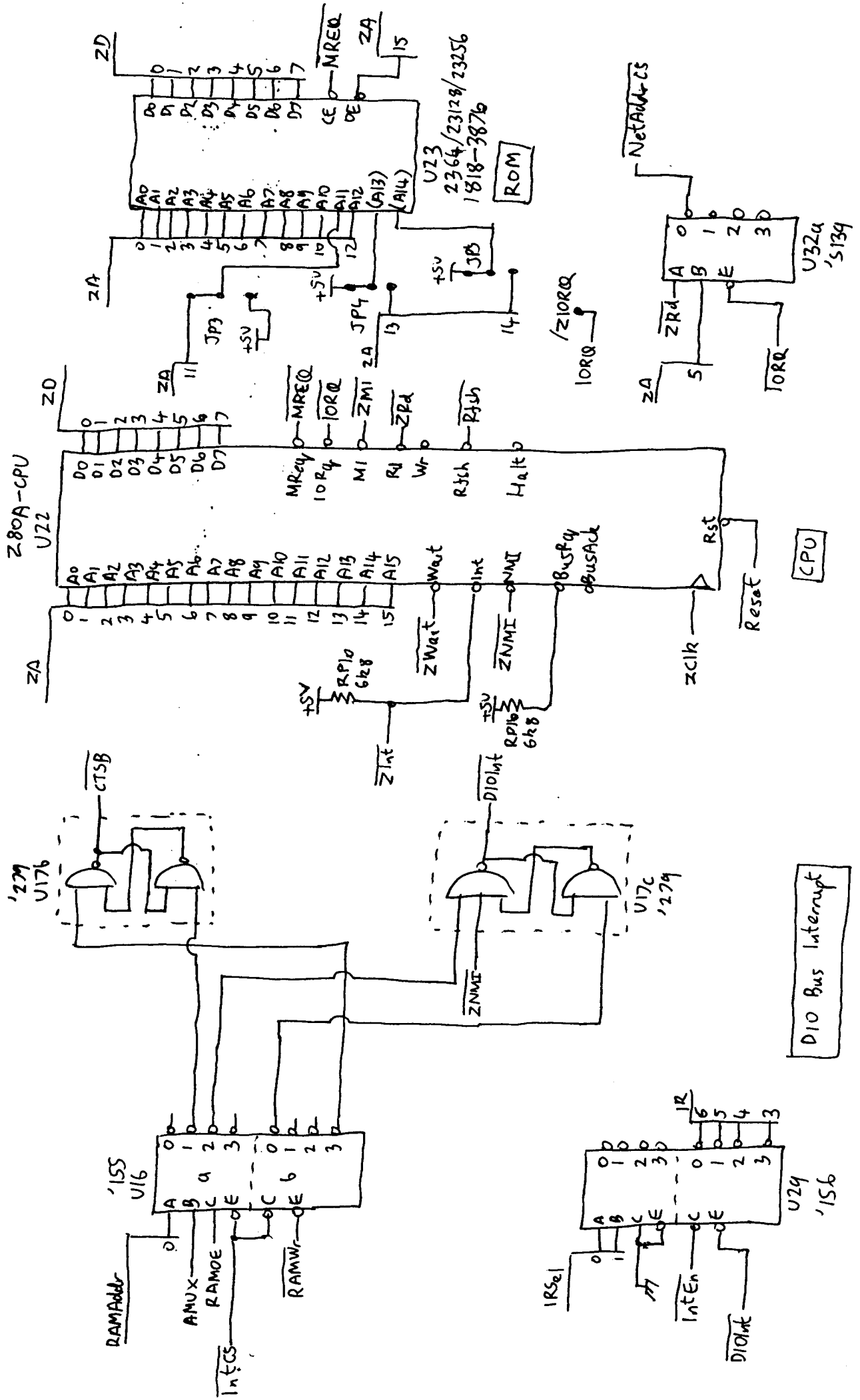
(D10 slot)







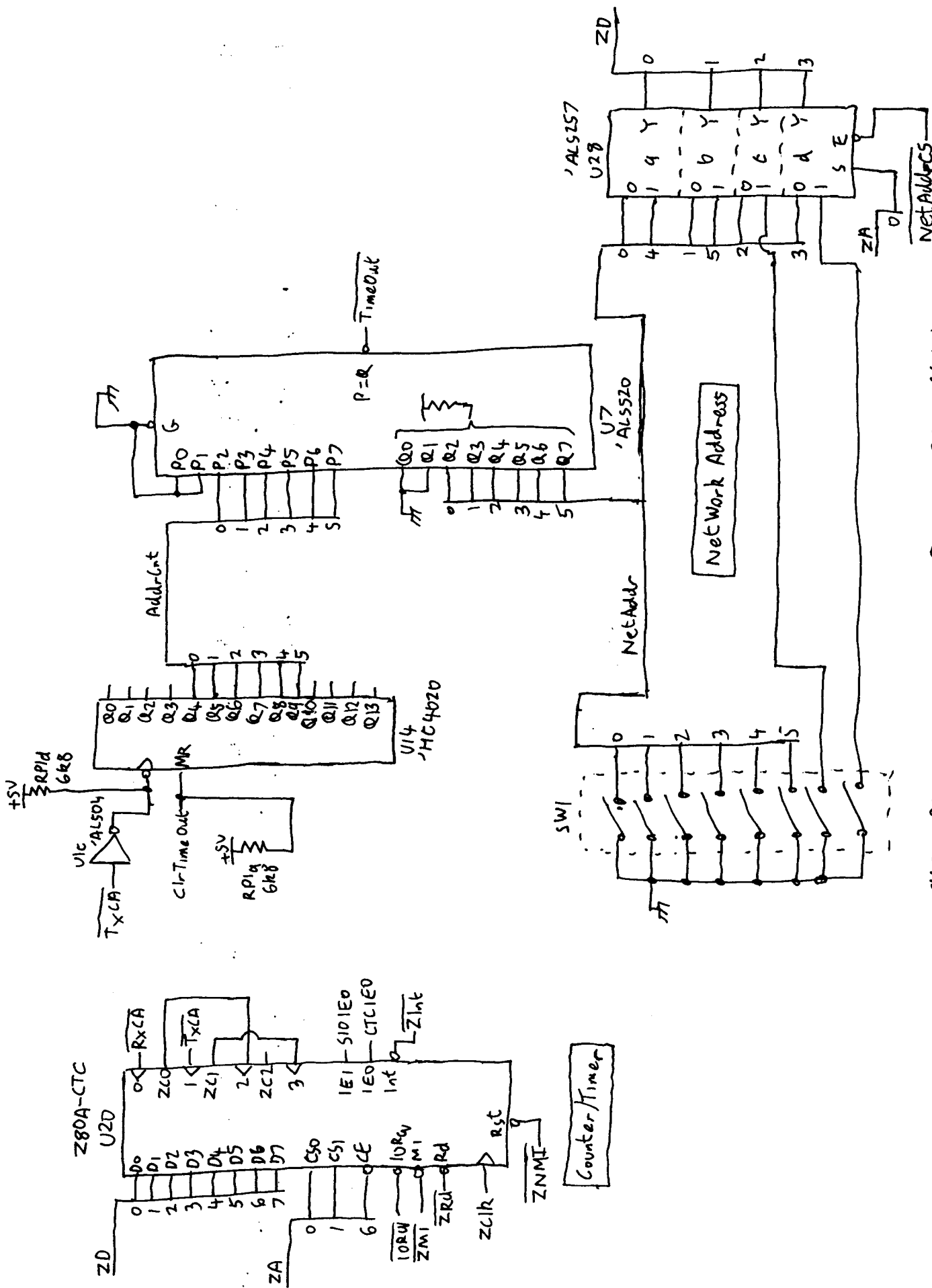


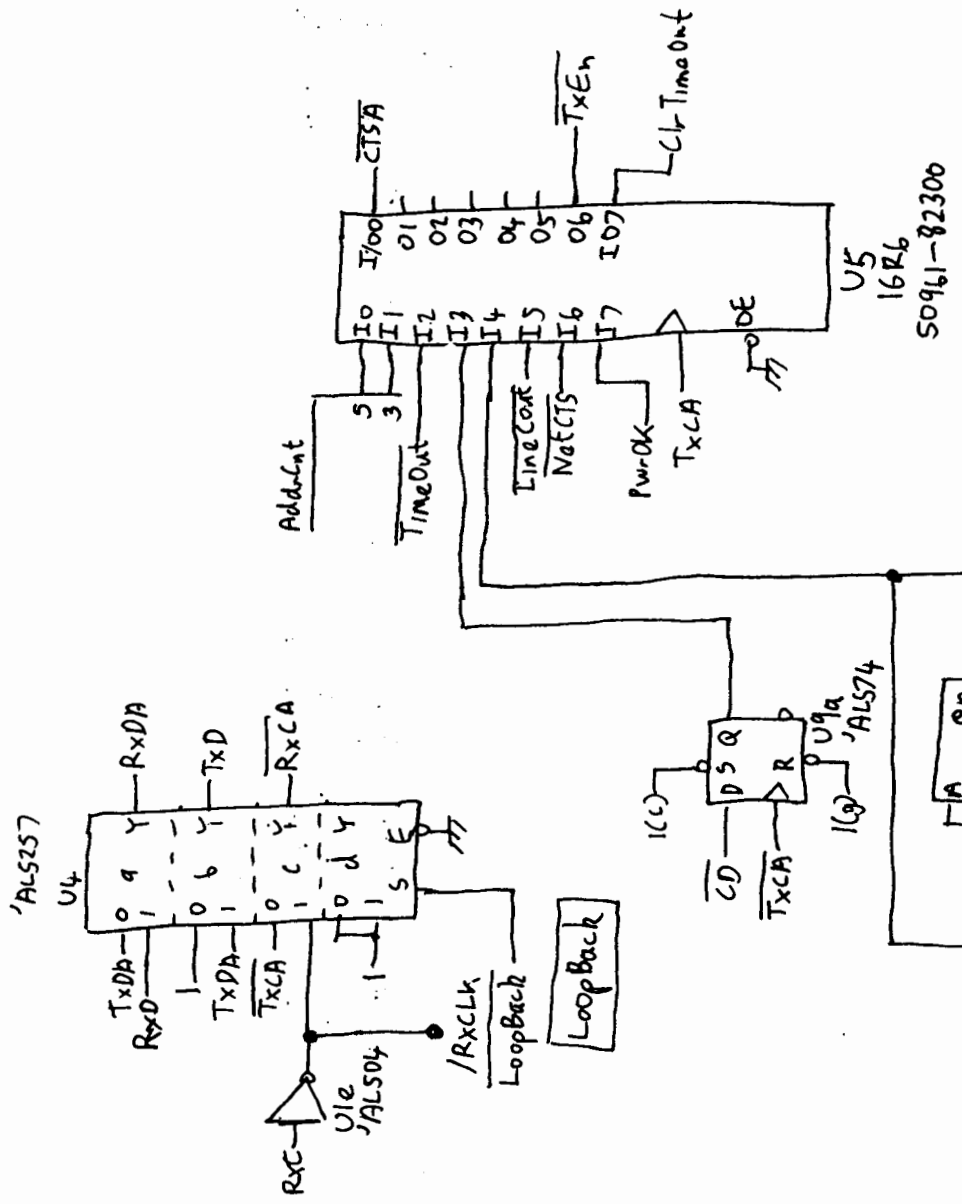
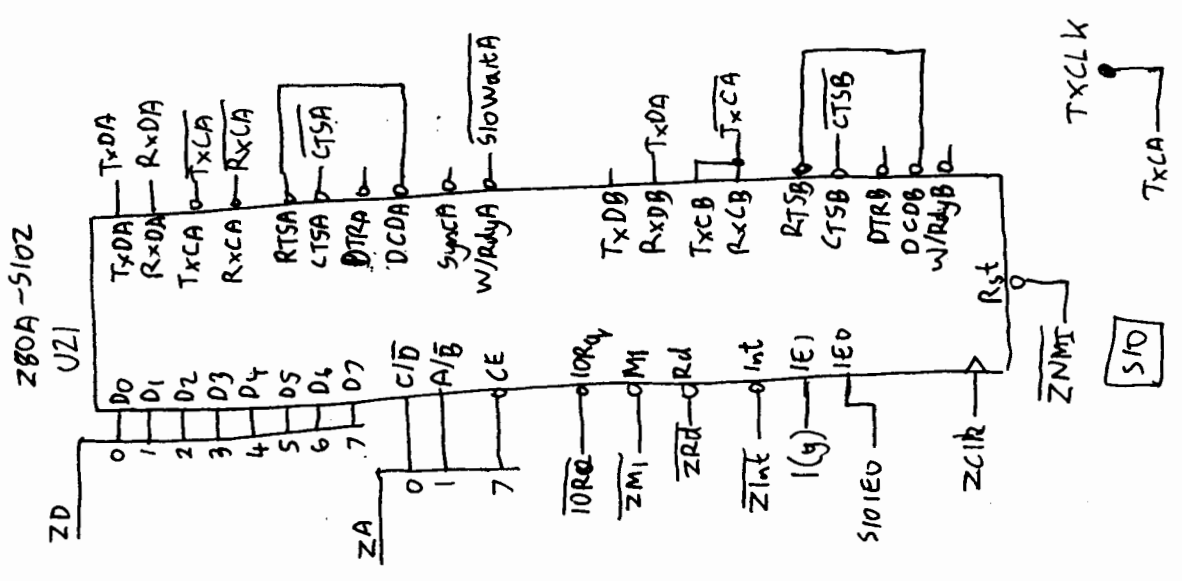


50462-6650)

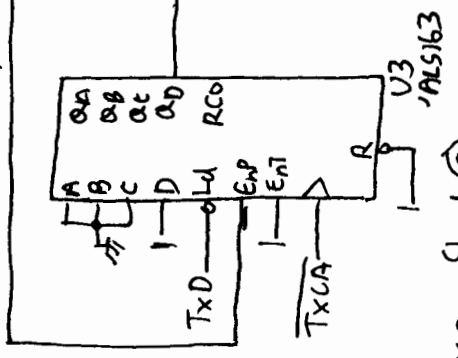
HP50462 D10 SRM PCB Sheet 7

7





U5
16R6
50961-82300



(Shield of J1 is NOT connected to chassis (⊕) or OV (⊕))

