

11203

Char	Count	D5	D4	D3	D2	D1	D0
0	1	1	1	F8	F4	F2	F1
1	2	1	0	1	1	0	0 = '0'
2	3	1	0	1	Pol	Pol	1
3	4	1	1	_____	D1	_____	
4	5	1	1	_____	D2	_____	
5	6	1	1	_____	D3	_____	
6	7	1	1	_____	D4	_____	
7	8	1	1	_____	D5	_____	
8	9	1	1	_____	D6	_____	
9	10	1	1	_____	D7	_____	
10	11	1	1	_____	D8	_____	
11	12	1	1	_____	D9	_____	
12	13	1	0	1	ES	\overline{ES}	1
13	14	1	1	0	0	0	0
14	15	1	1	Exp8	Exp4	Exp2	Exp1
15	0	0	0	1	0	1	0 = LF

Notes:

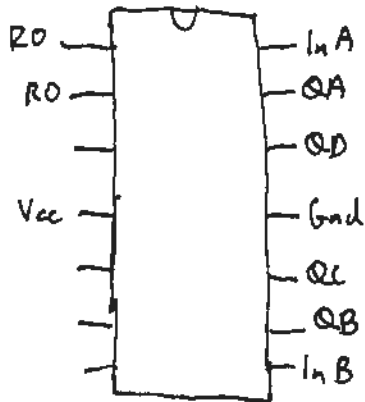
If Bit8, Bit4, Bit2 of a digit all=1, Digit set as 101110 = '0'

Overflow \rightarrow Exponent = +8x

Polarity, Exponent sign: 101101 = - (Bit set)

101011 = + (Bit clear)

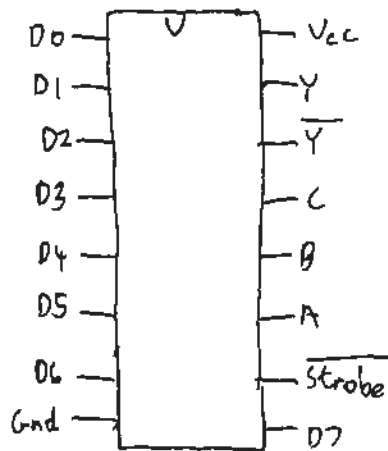
HP11203



74LS93

Notas '93, 'LS93

4 Bit Binary Counter



74LS12

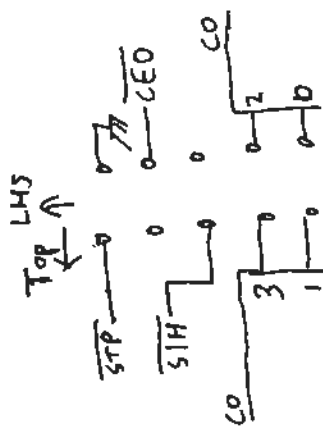
8 input Multiplexer

D_n = Data Inputs

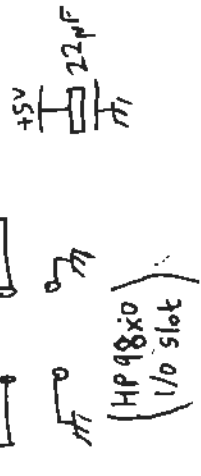
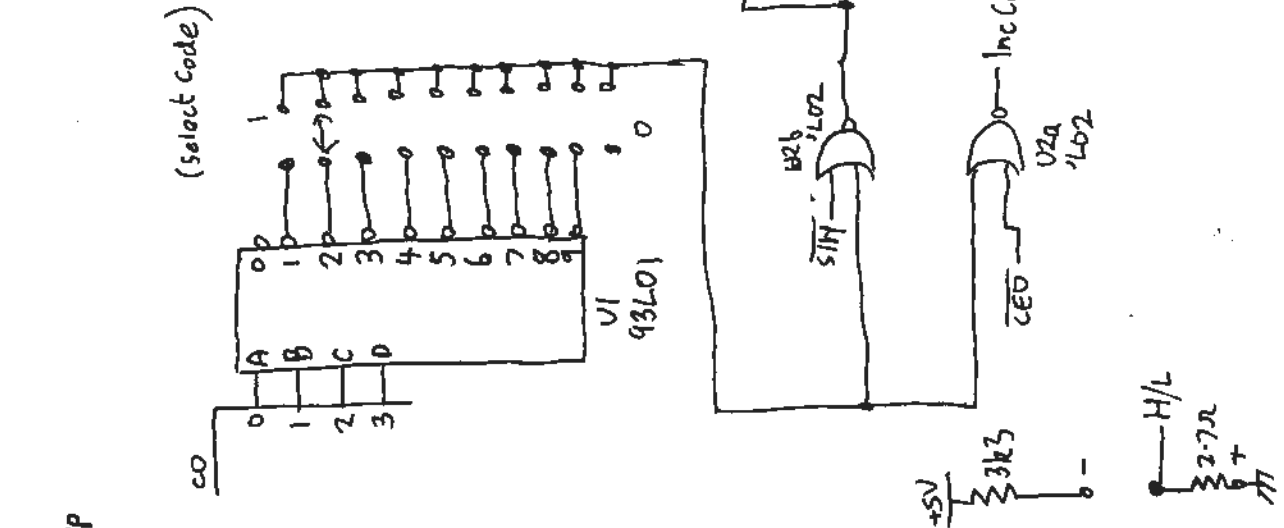
Y, \bar{Y} = Outputs

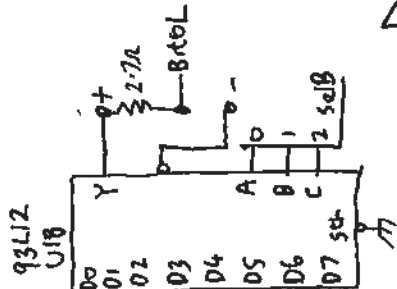
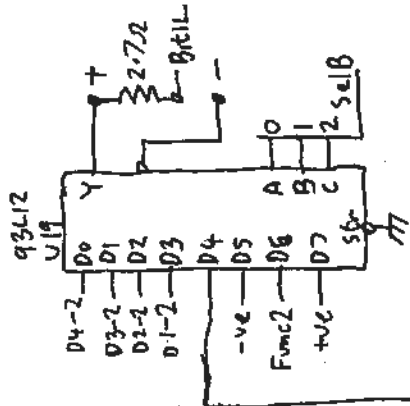
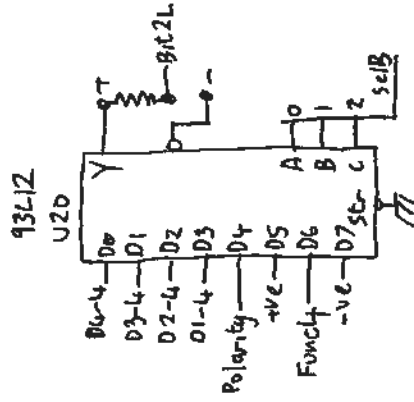
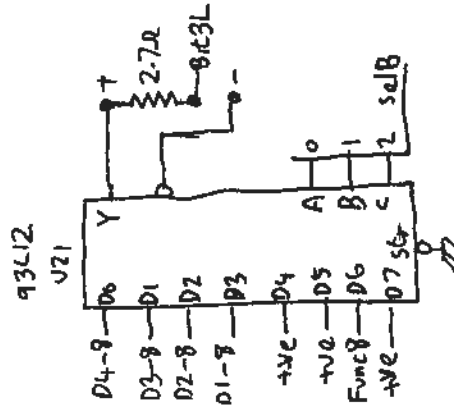
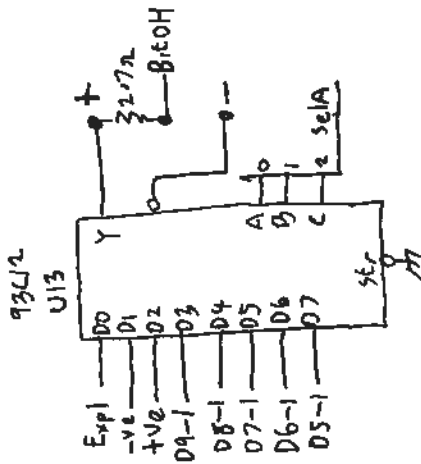
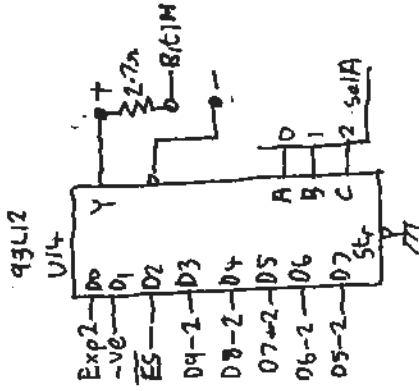
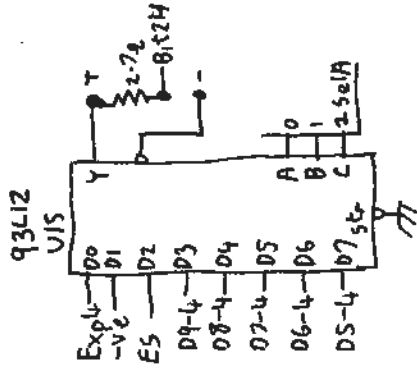
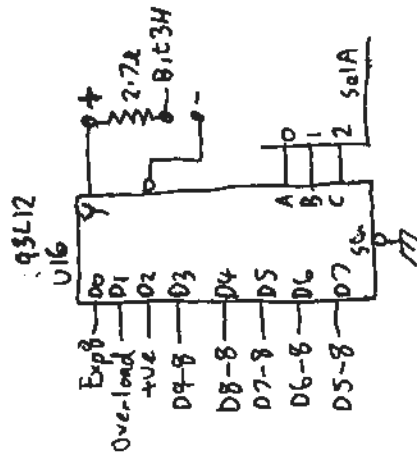
A, B, C = Select Inputs

$\bar{\text{strobe}}$ = Overall Enable

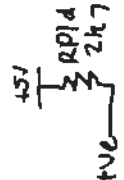
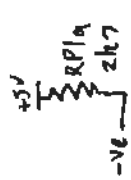
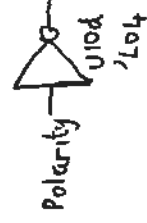


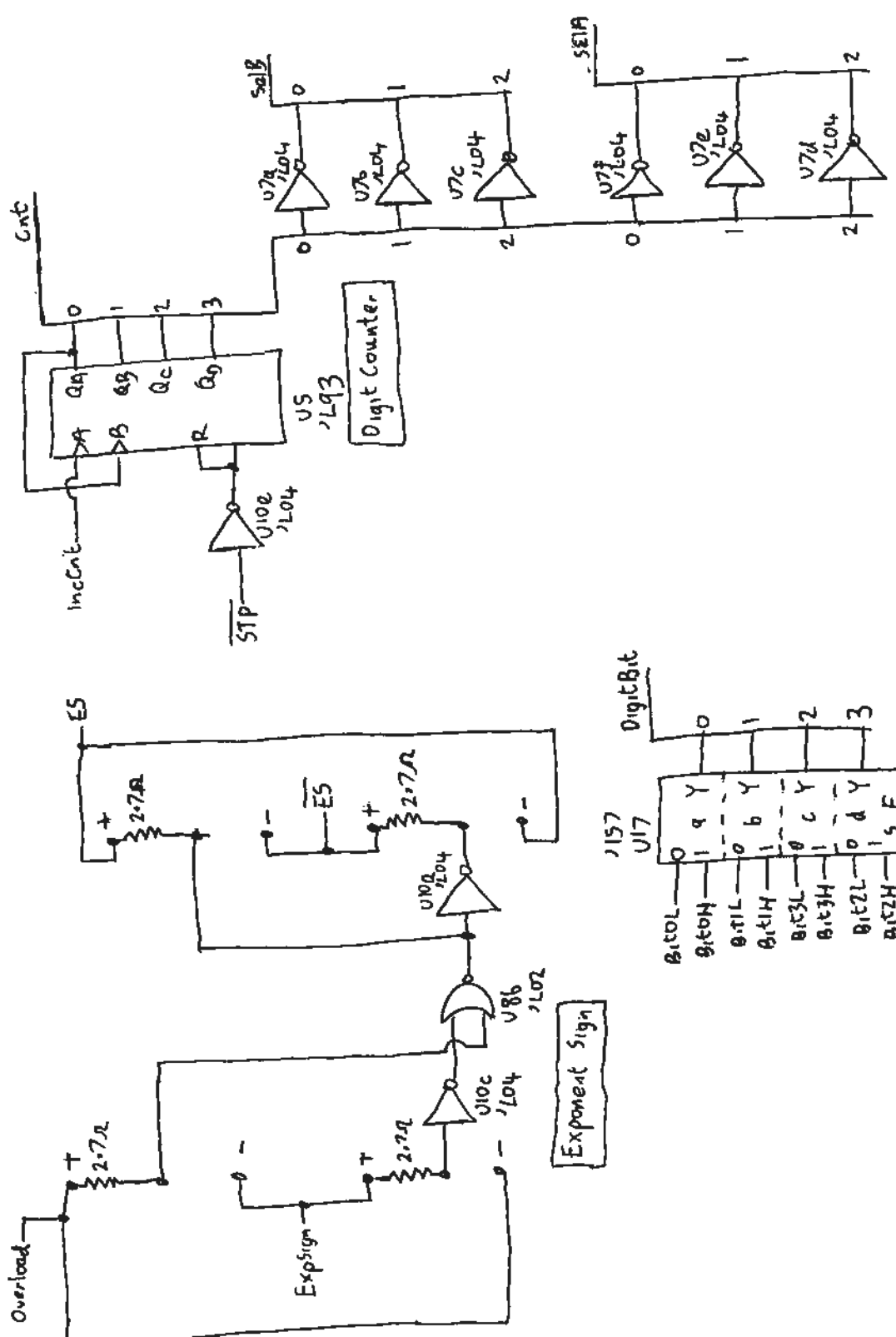
- Exp1
- Exp2
- Overload
- +We
- ExpSign
- We
- H/L
- D1-1
- D2-1
- D3-1
- D4-1
- H/L
- D1-2
- D2-2
- D3-2
- D4-2
- H/L
- D1-4
- D2-4
- D3-4
- D4-4
- H/L
- P1-8
- D2-8
- D3-8
- D4-8
- ctr12
- ctr11
- Flag
- Exp1
- D9-1
- D8-1
- D7-1
- D6-1
- D5-1
- Func1
- D6-2
- D7-2
- D8-2
- D9-2
- D5-2
- Func2
- D6-4
- D7-4
- D8-4
- D9-4
- Exp4
- Func4
- Polarity
- D5-4
- Func8
- D6-8
- D7-8
- D8-8
- D9-8
- Exp8
- D5-8
- Flag





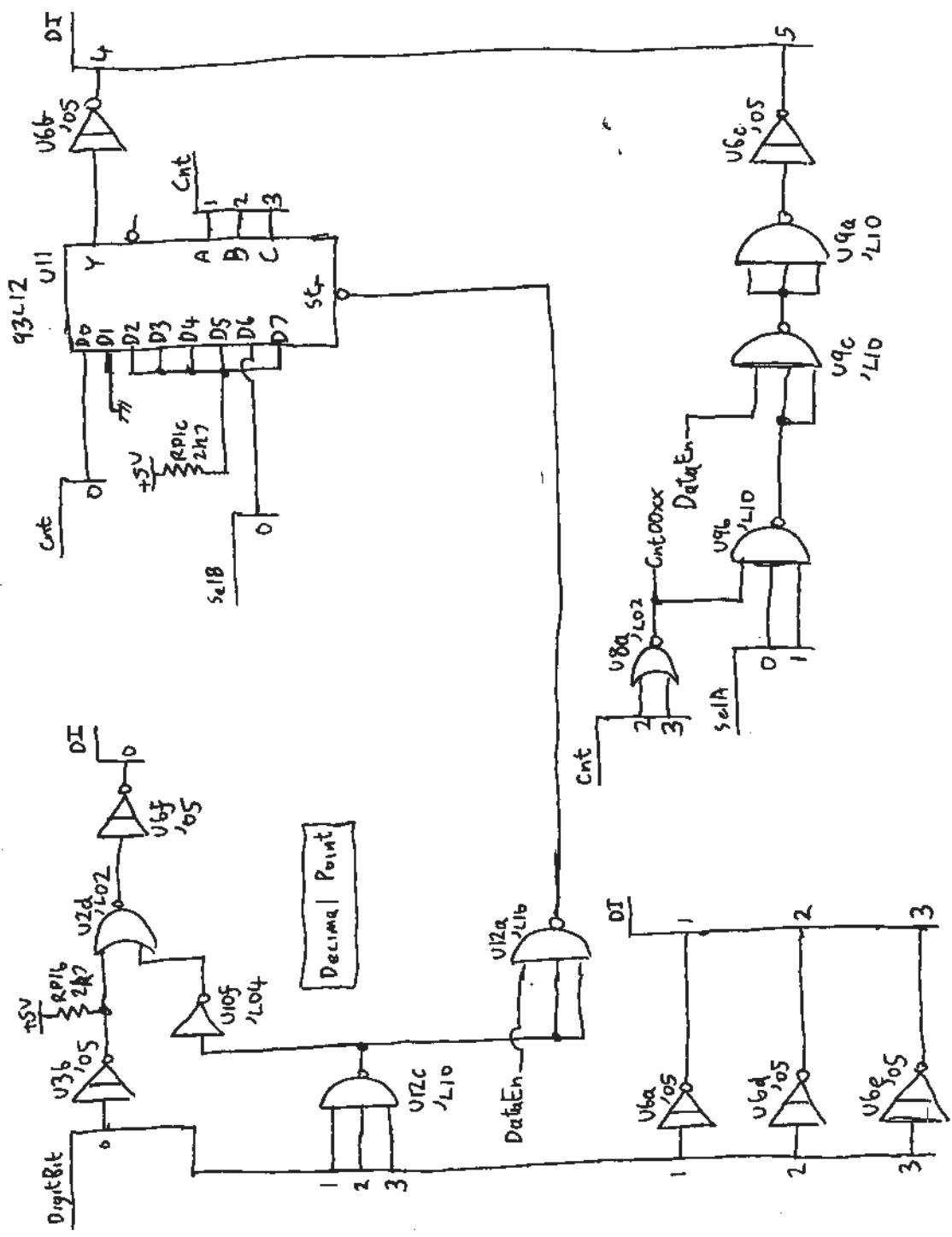
Digit Multiplexer



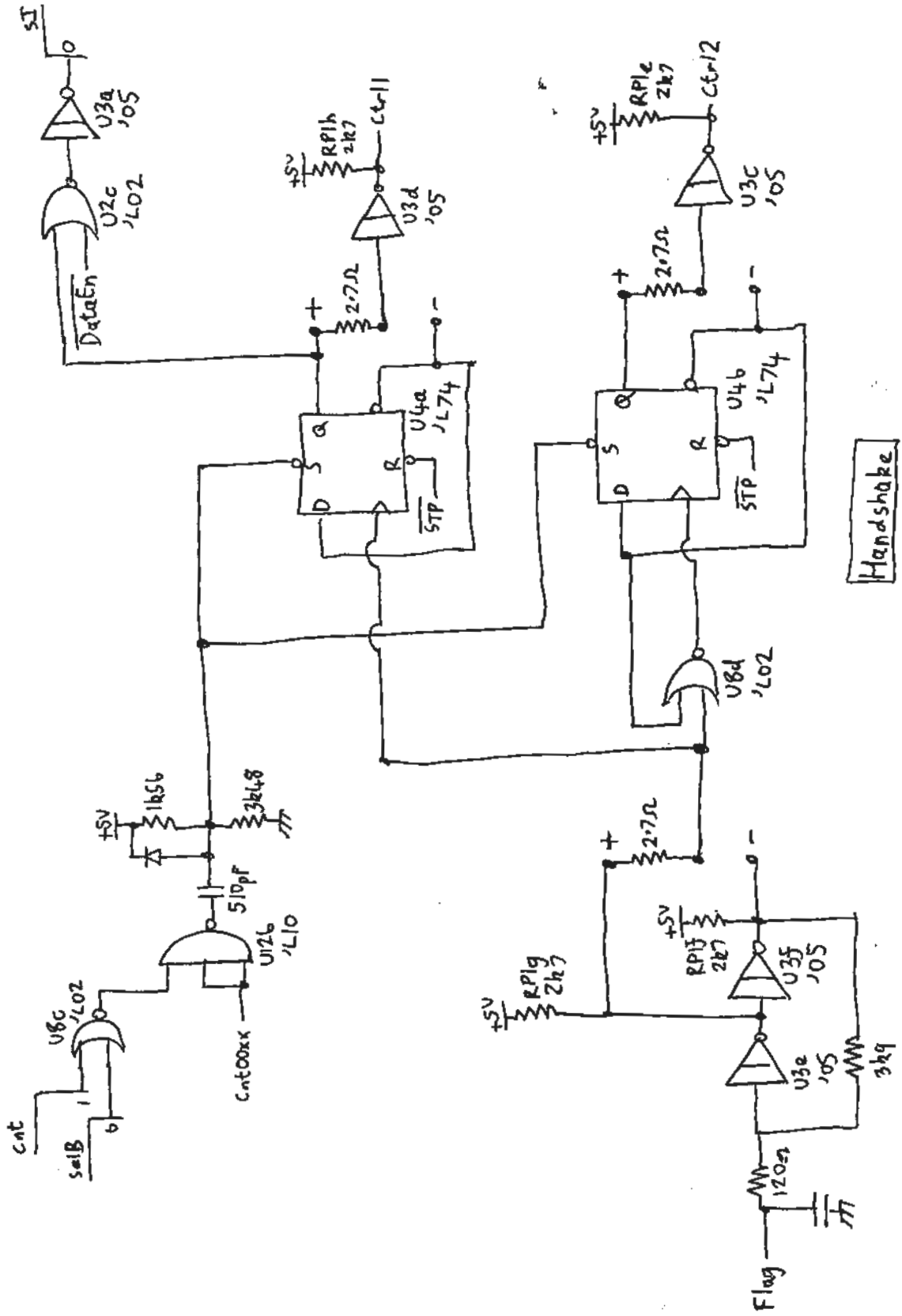


11203-66591

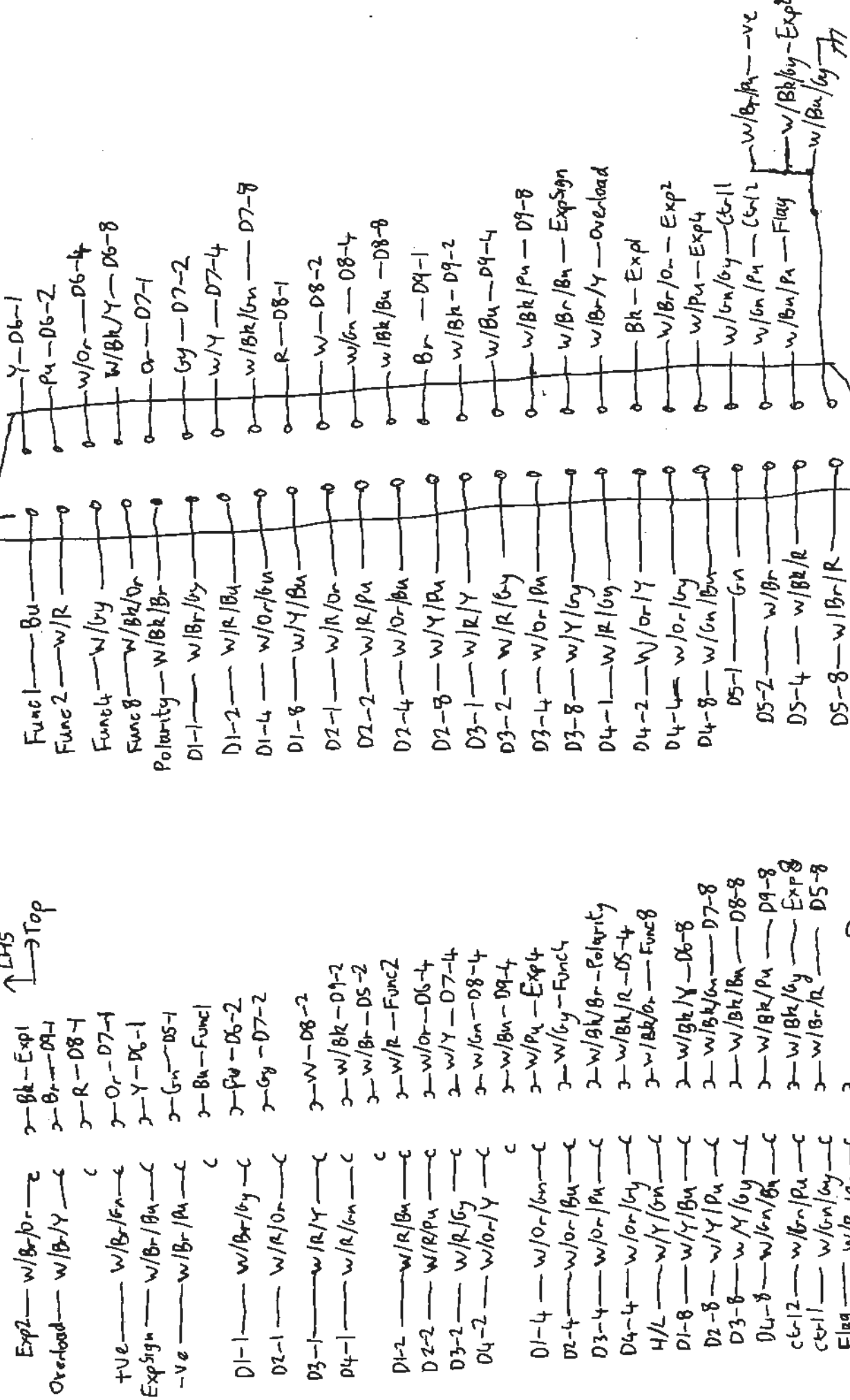
HP11203 BCD Interface sheet (3)



ASCII Encoder



LMS
→ Top



(50 pin Microribbon Plug)

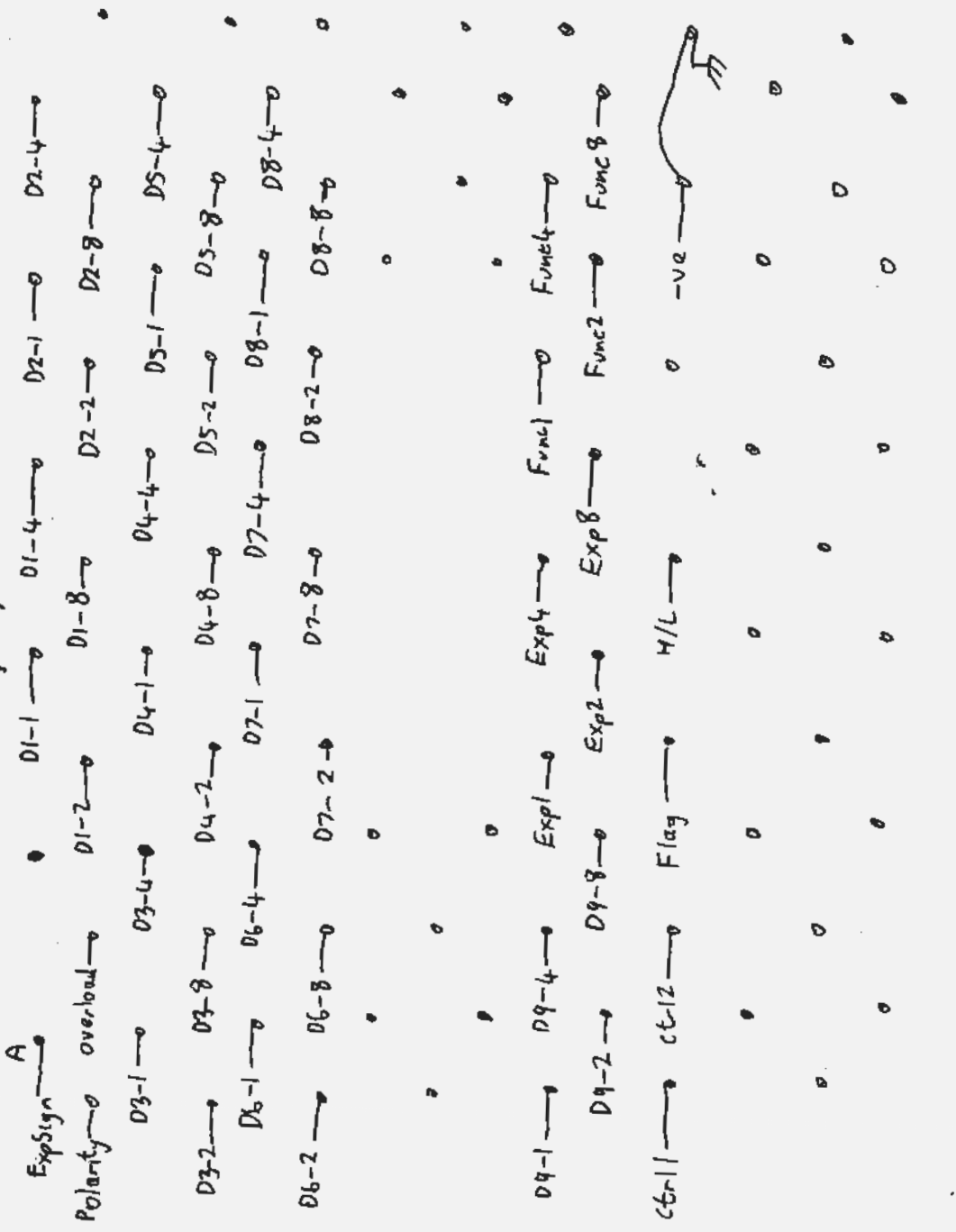
(To 11203-66591 PCB) HP11203 Cable (As Supplied)

LHS
→ Top

- Exp2 - w/Bk/Or - C
- Overload - w/Bk/A - C
- +ve - w/Bk/Gr - C
- ExpSign - w/Bk/Bl - C
- ve - w/Bk/Rd - C
- Bl - Funct
- D1-1 - w/Bk/Gr - C
- D2-1 - w/Bk/Or - C
- D3-1 - w/R/Y - C
- D4-1 - w/R/Gr - C
- C
- D1-2 - w/R/Bl - C
- D2-2 - w/R/Rd - C
- D3-2 - w/R/Gr - C
- D4-2 - w/Or/Y - C
- C
- D1-4 - w/Or/Bl - C
- D2-4 - w/Or/Bl - C
- D3-4 - w/Or/Rd - C
- D4-4 - w/Or/Gr - C
- H/L - w/Y/Gr - C
- D1-8 - w/Y/Bl - C
- D2-8 - w/Y/Rd - C
- D3-8 - w/Y/Gr - C
- D4-8 - w/Gr/Bl - C
- ctr12 - w/Gr/Rd - C
- ctr11 - w/Gr/Gr - C
- Flag - w/Bl/Rd - C
- C
- w/Bl/Gr - C
- Pk - Shield

(TO 11203-66591 PCB)

Large Key



Small Key

Plug Wire side

(EDAC516-90 Plug)