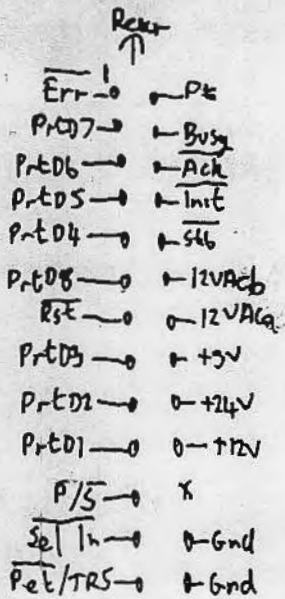
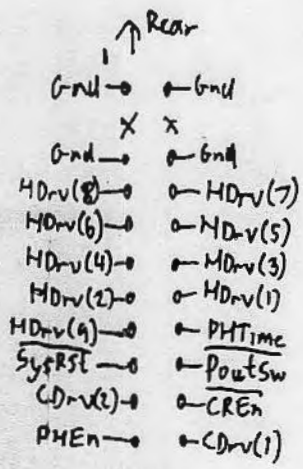


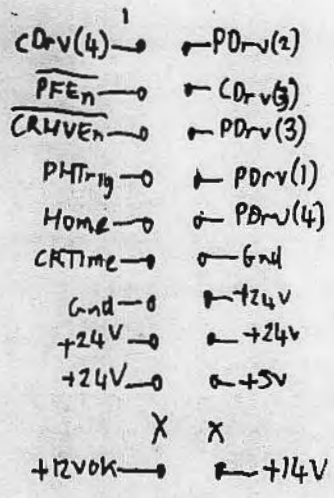
HP82905



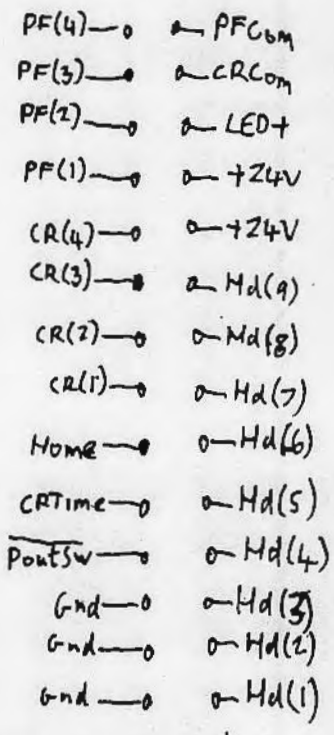
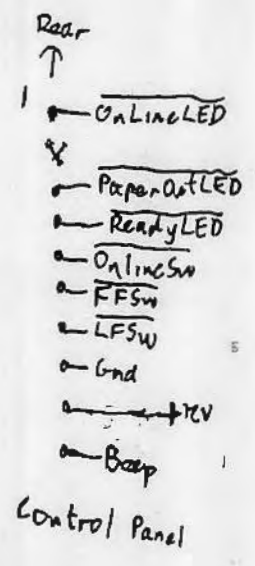
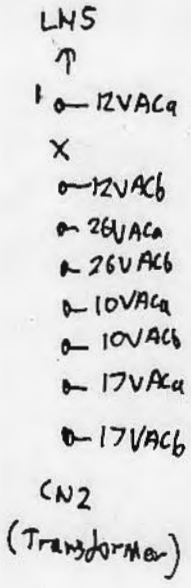
CN3  
(Interface PCB)



CN4

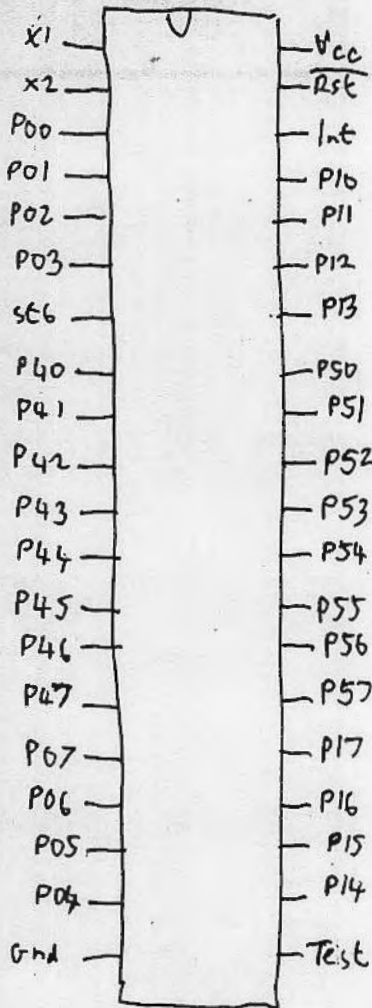


CN5  
(Driver PCB)

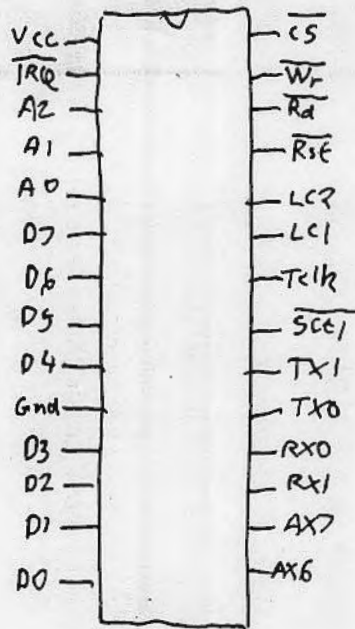


CN6  
(Mechanism)

HPB2905



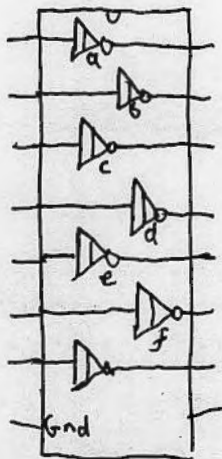
MK3870  
Microcontroller



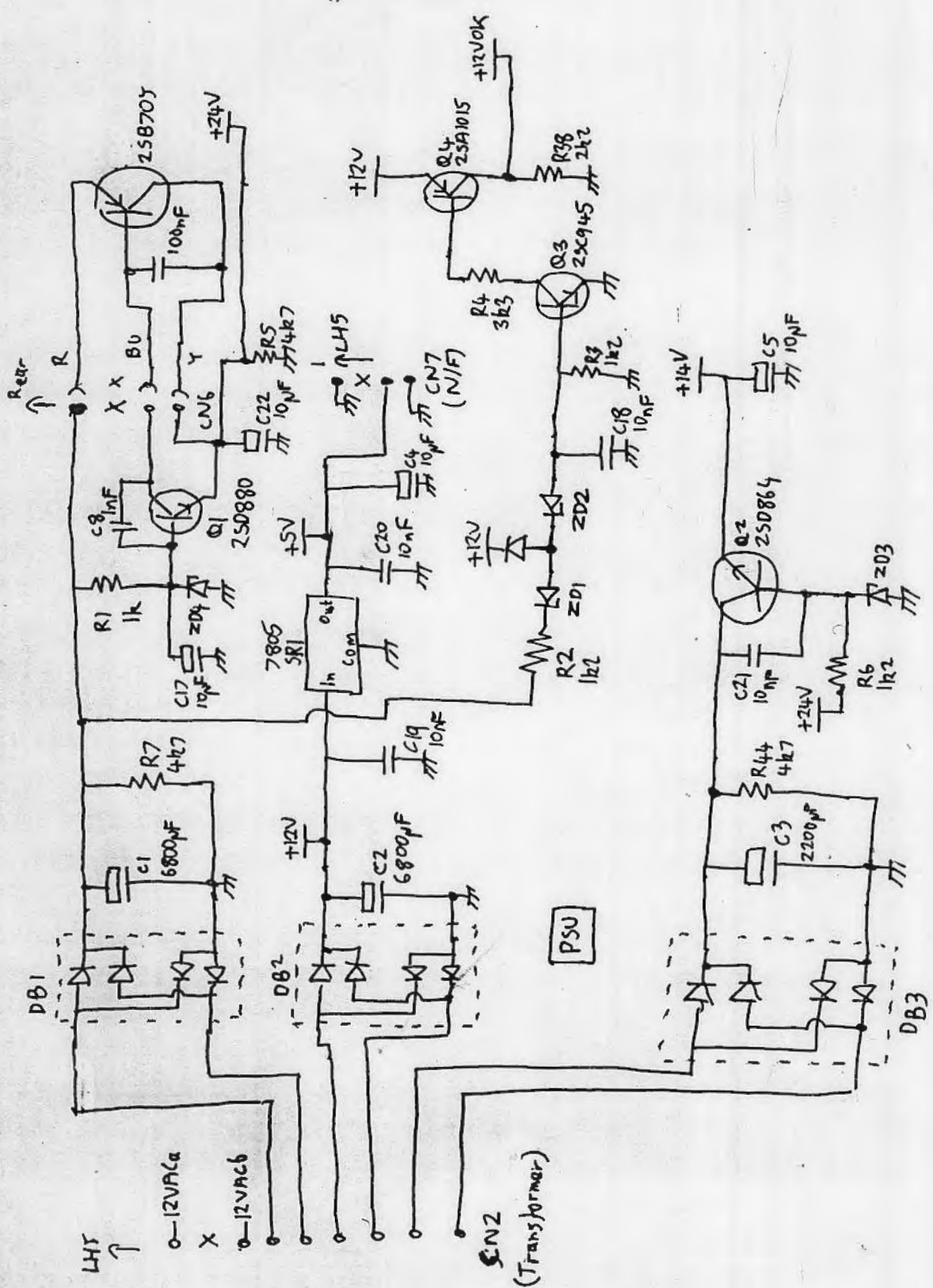
1LB3  
HPIL Interface

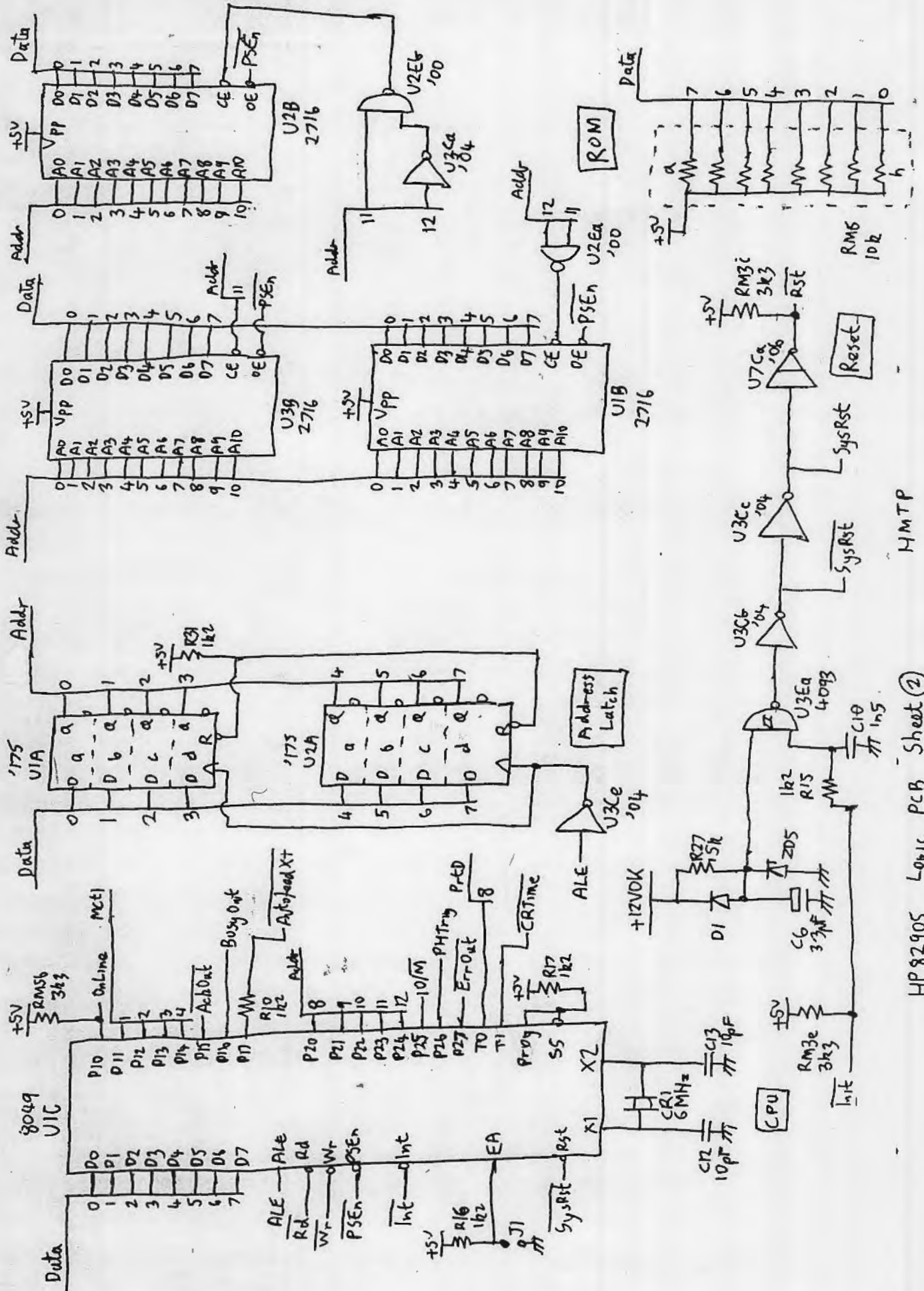


2SB705  
PNP  
Transistor



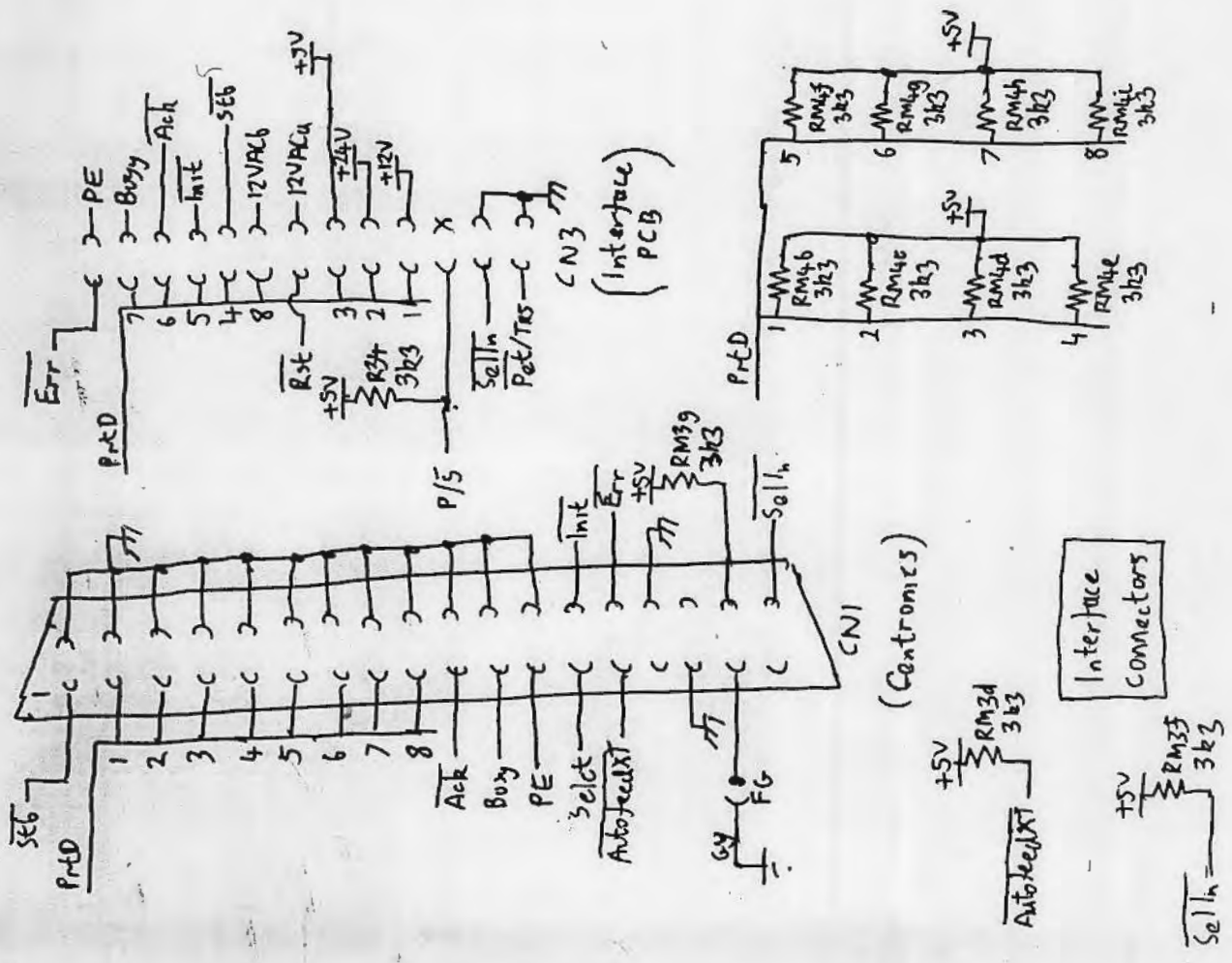
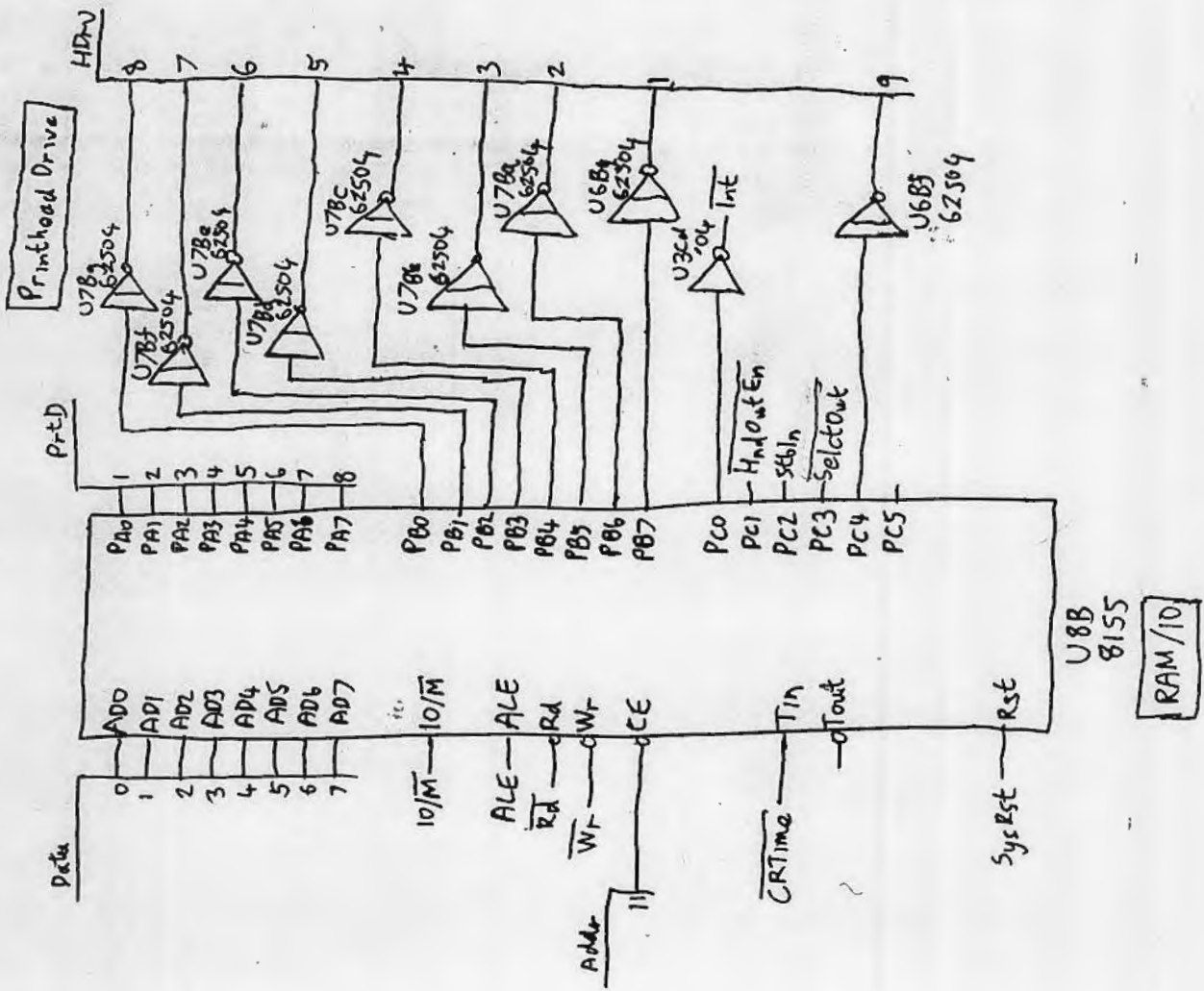
TD62504  
7-stage  
open collector  
NOR



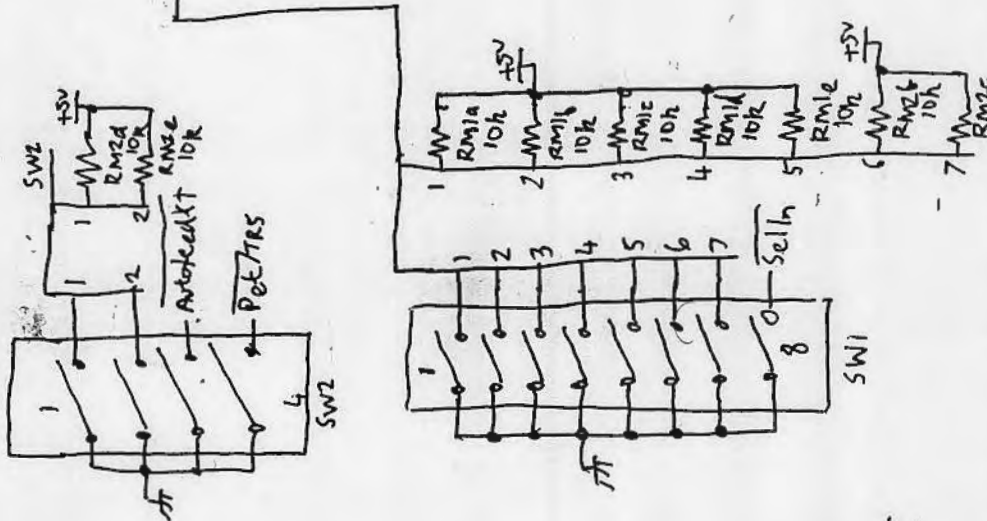
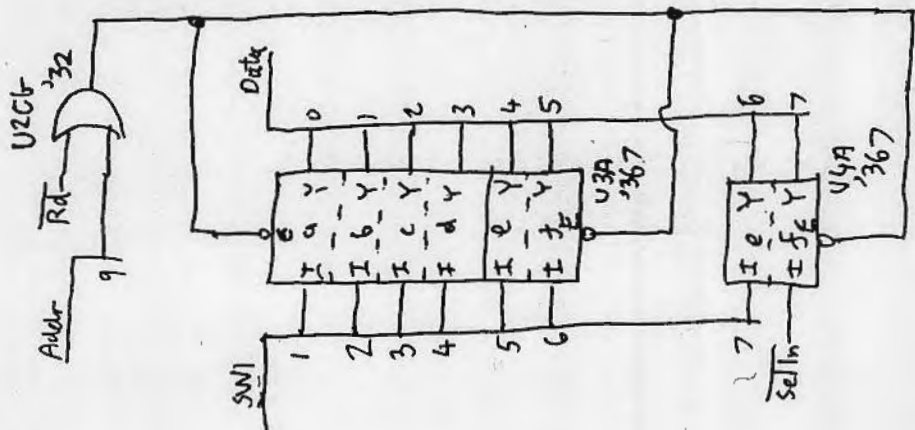
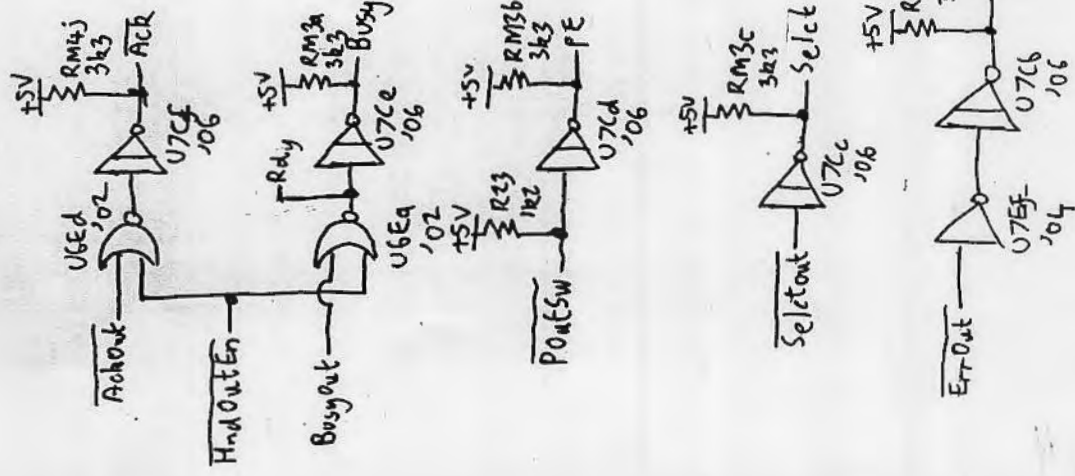
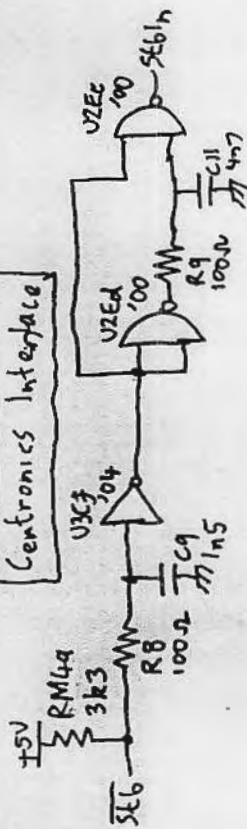


HMTP

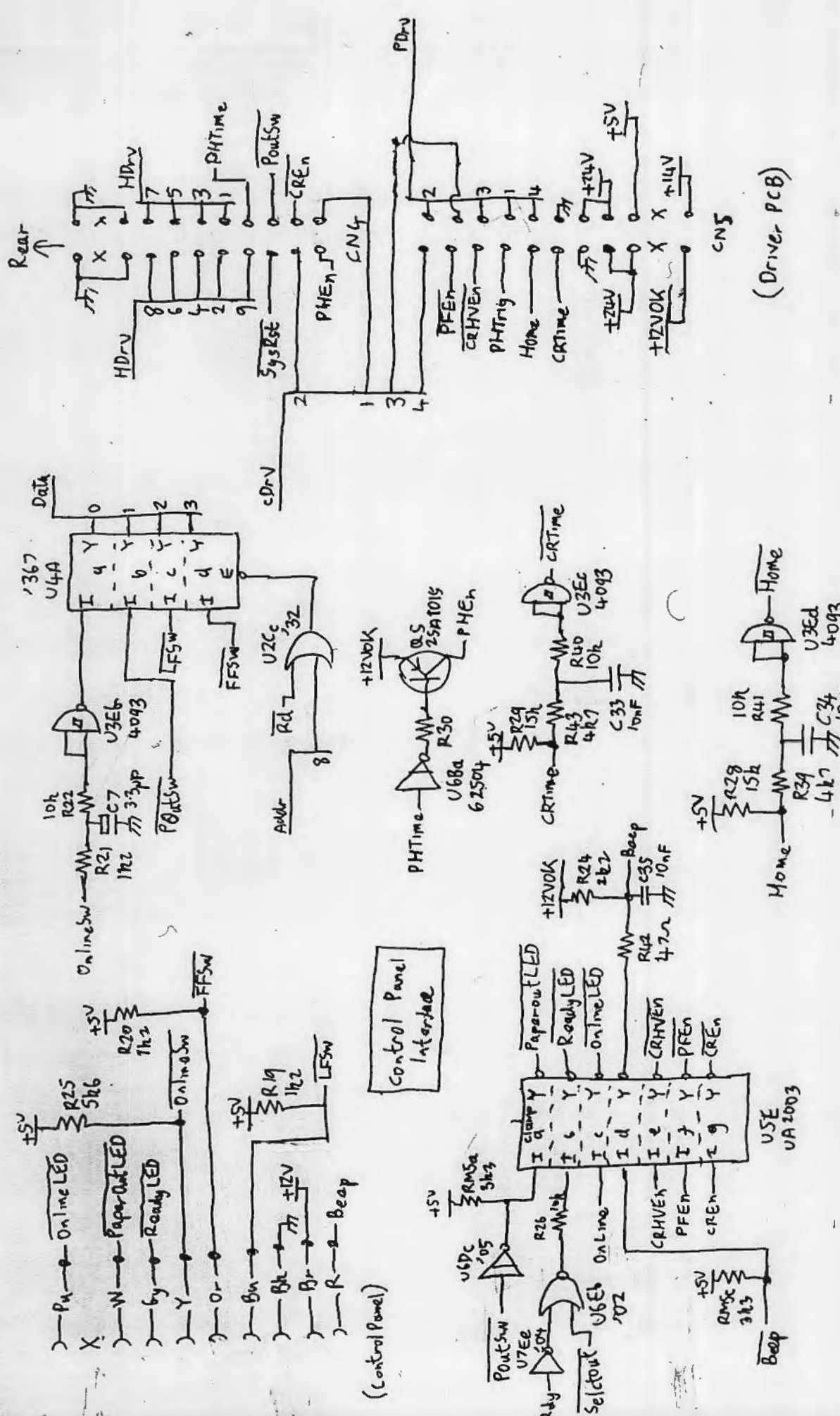
HP82905 Logic PCB Sheet ②



Centronics Interface

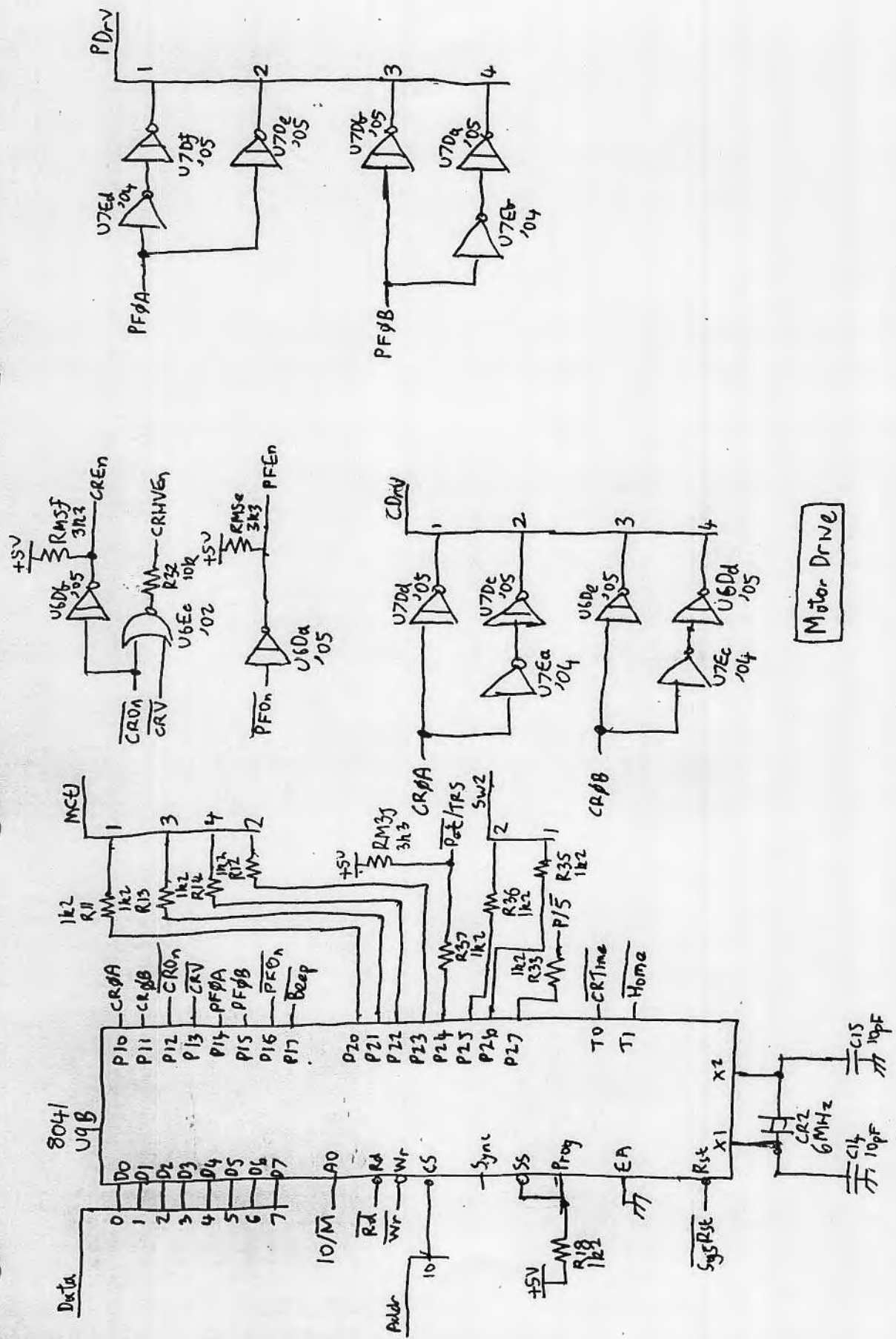


Config Switches

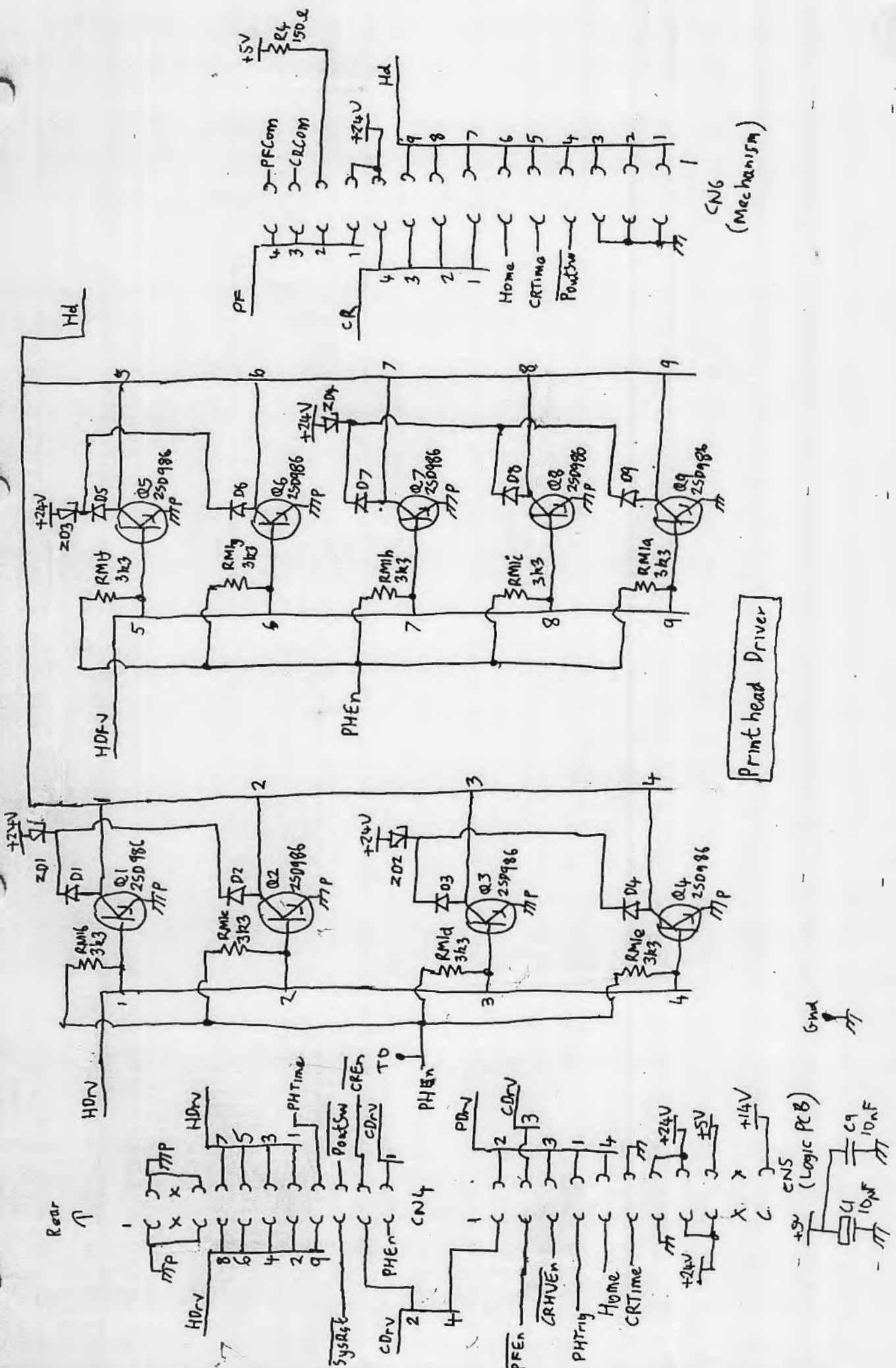


(Driver PCB)

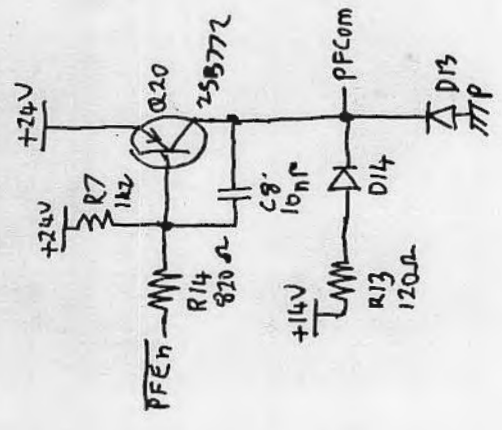
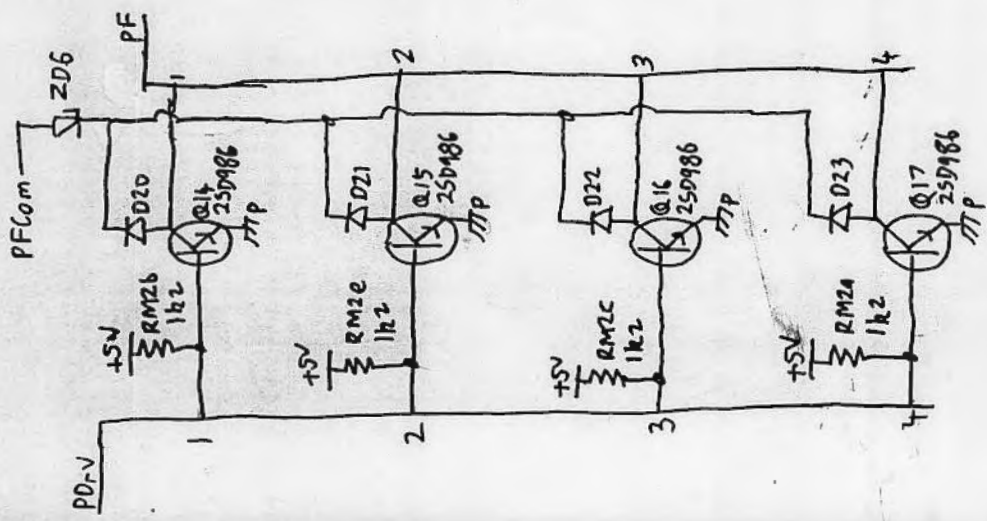
Sensors



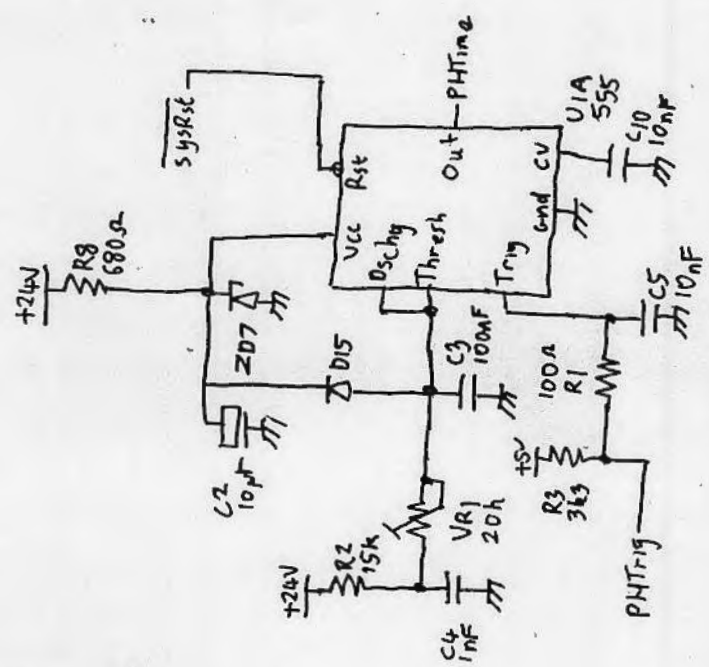




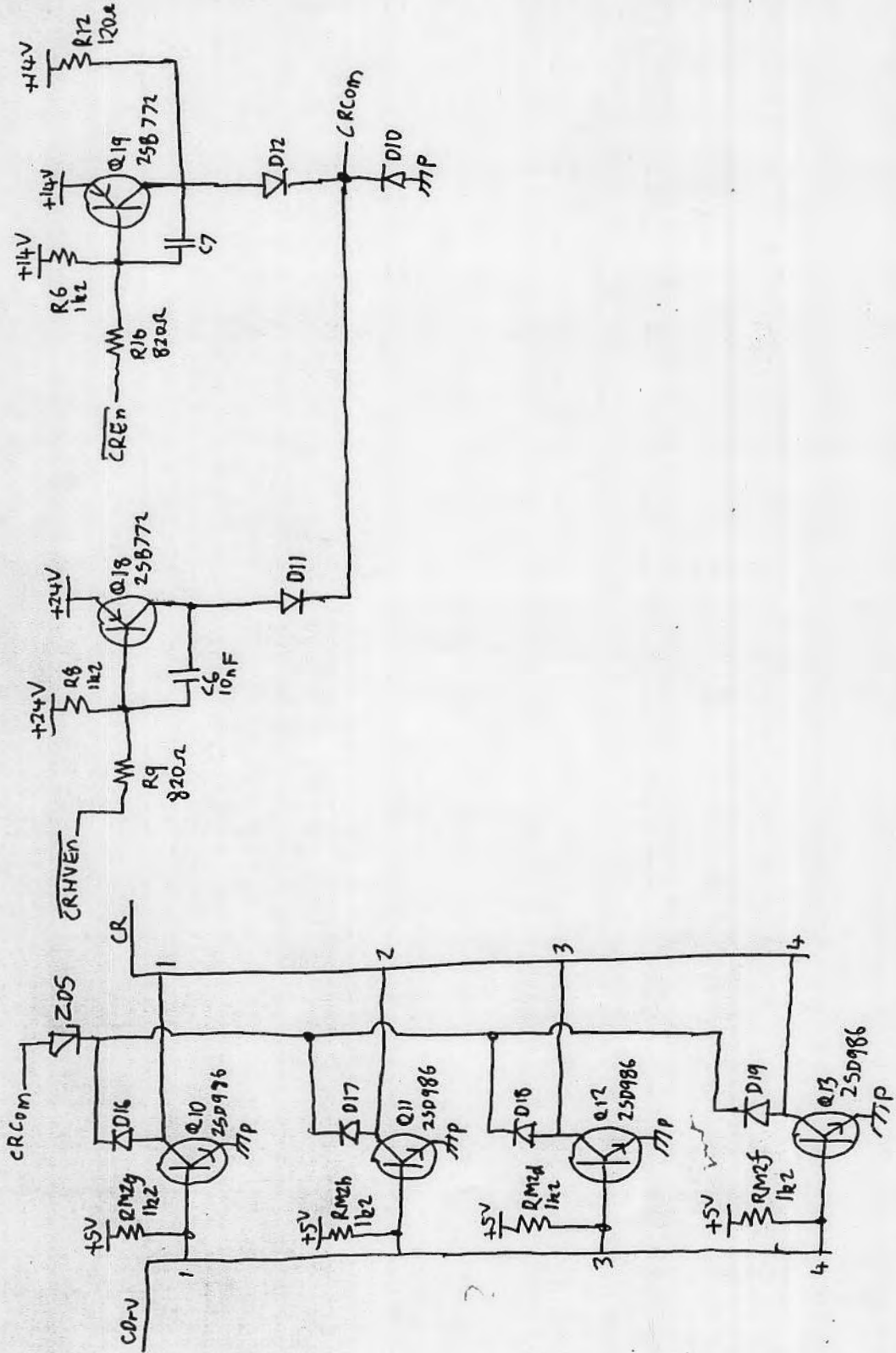
Print head Driver



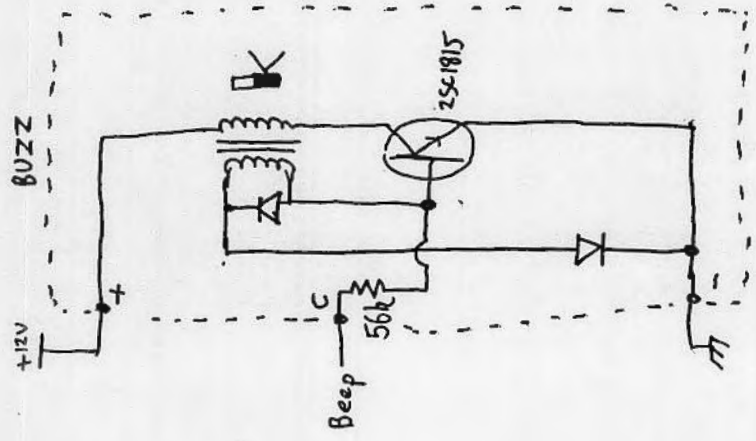
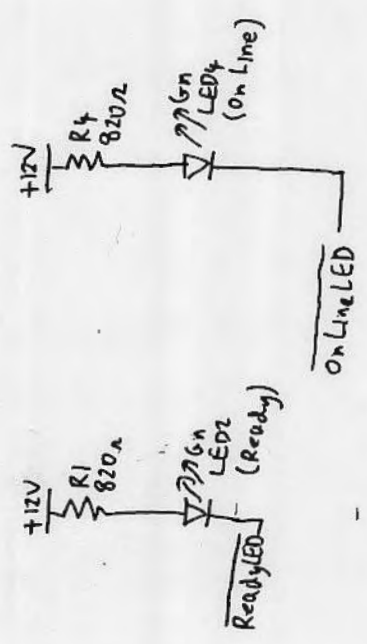
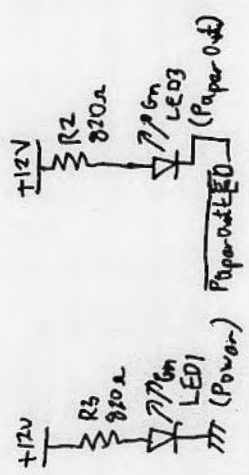
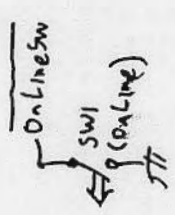
Paper Feed Motor Driver

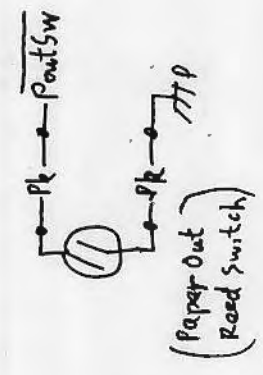
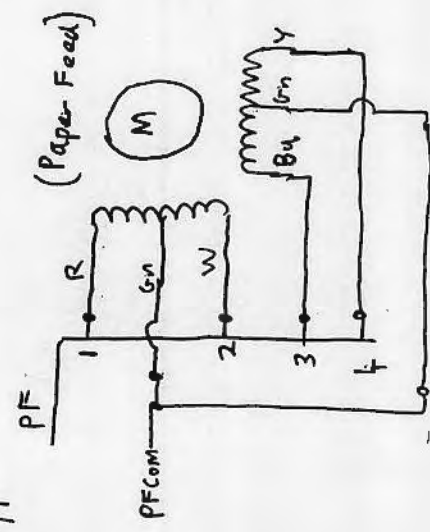
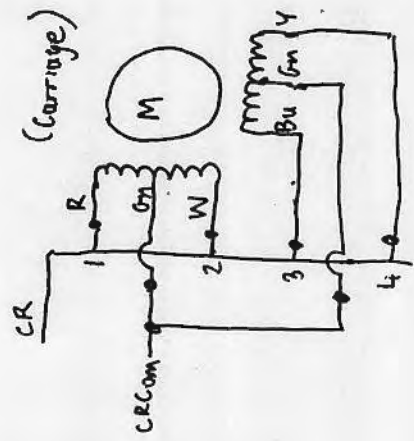
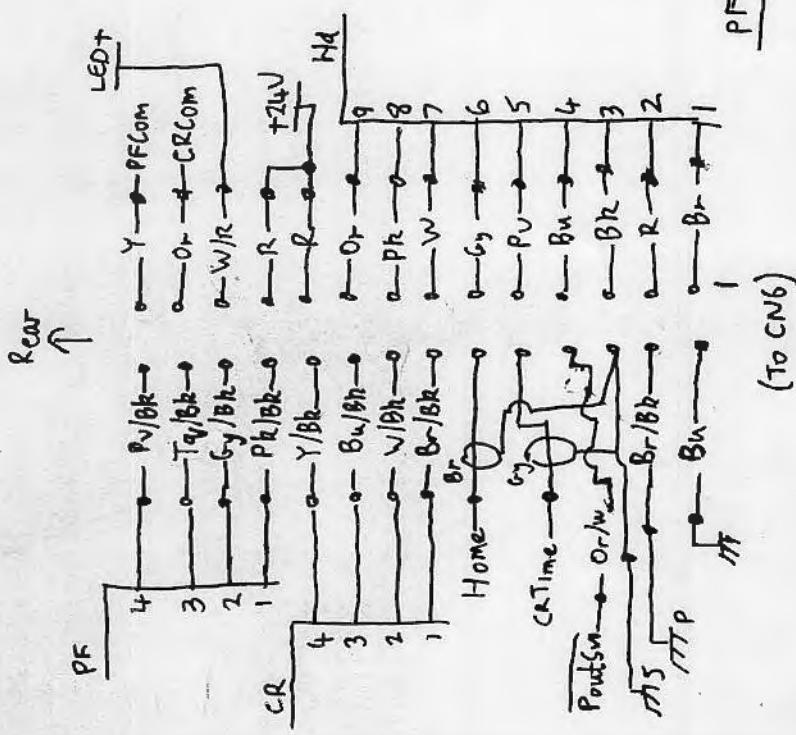
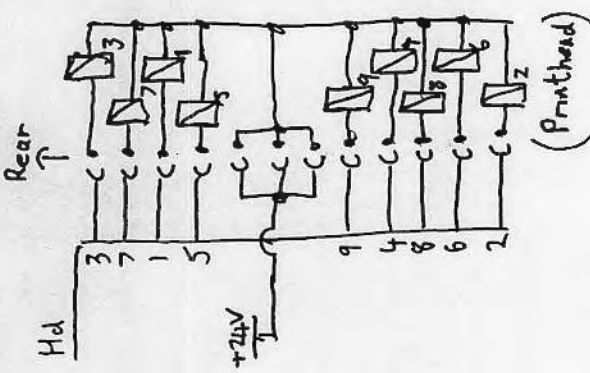
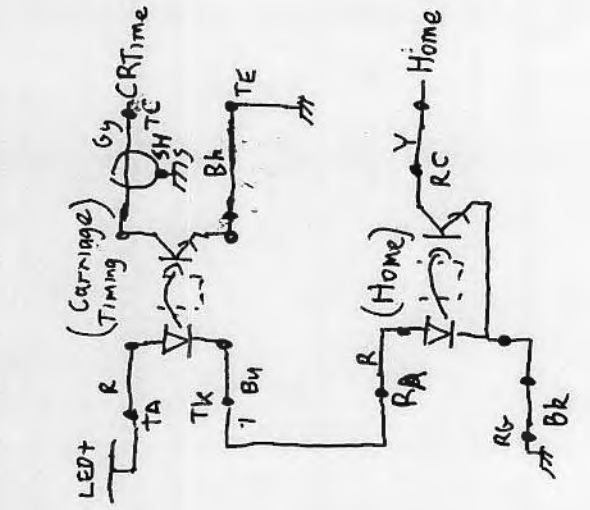


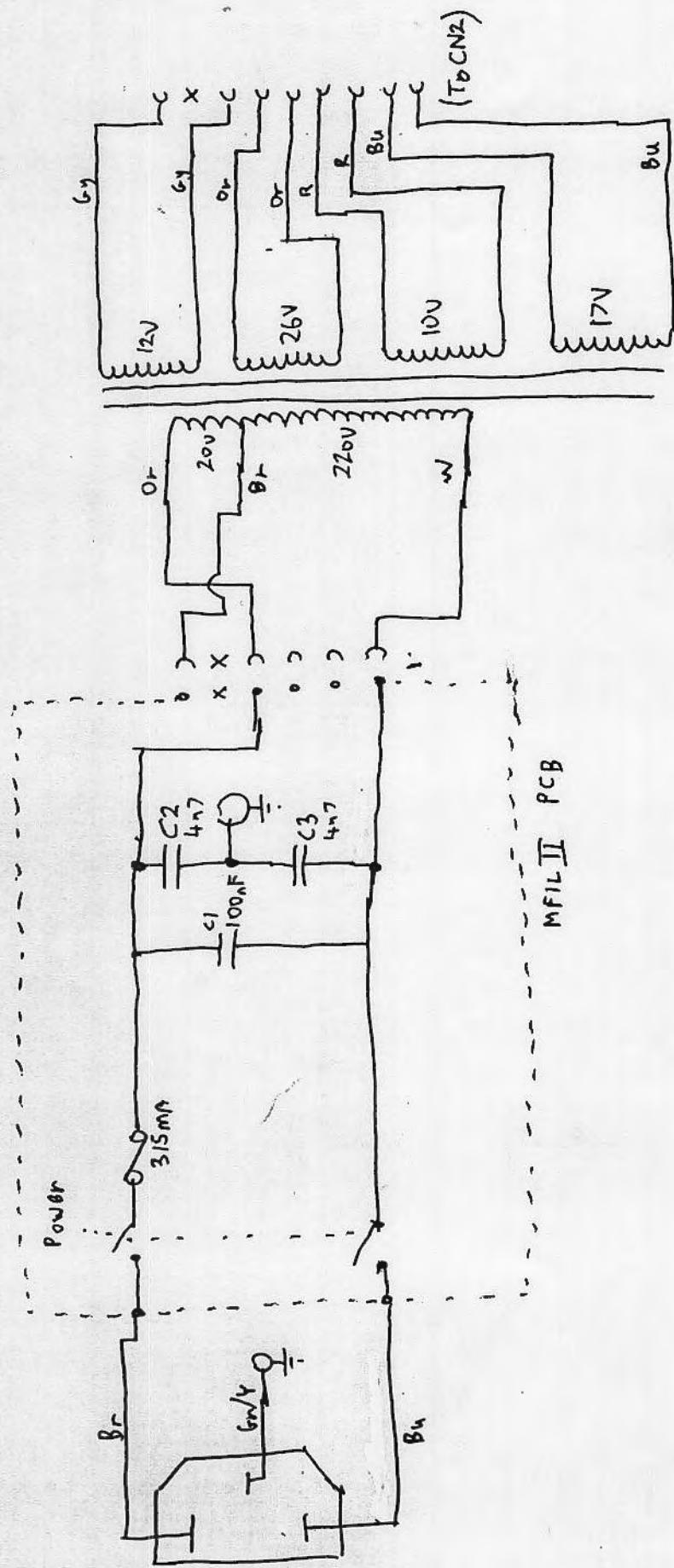
Printhead Timing



- Rear ↑
- On Line LED
- X
- Paper Out LED
- Ready LED
- On Line SW
- FFSW
- LFSW
- +12V
- Beep







HP 82905 Transformer Wiring



