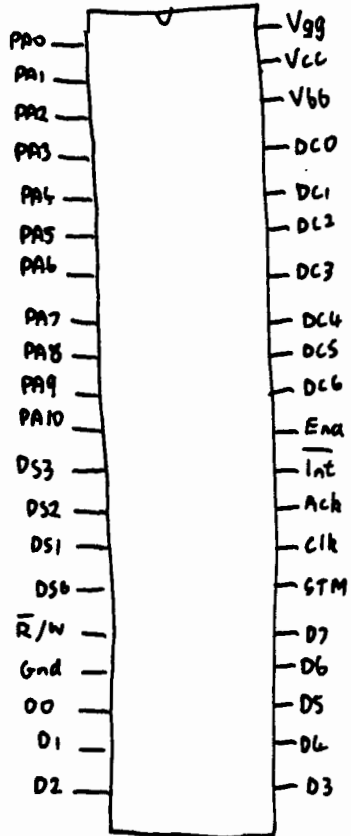
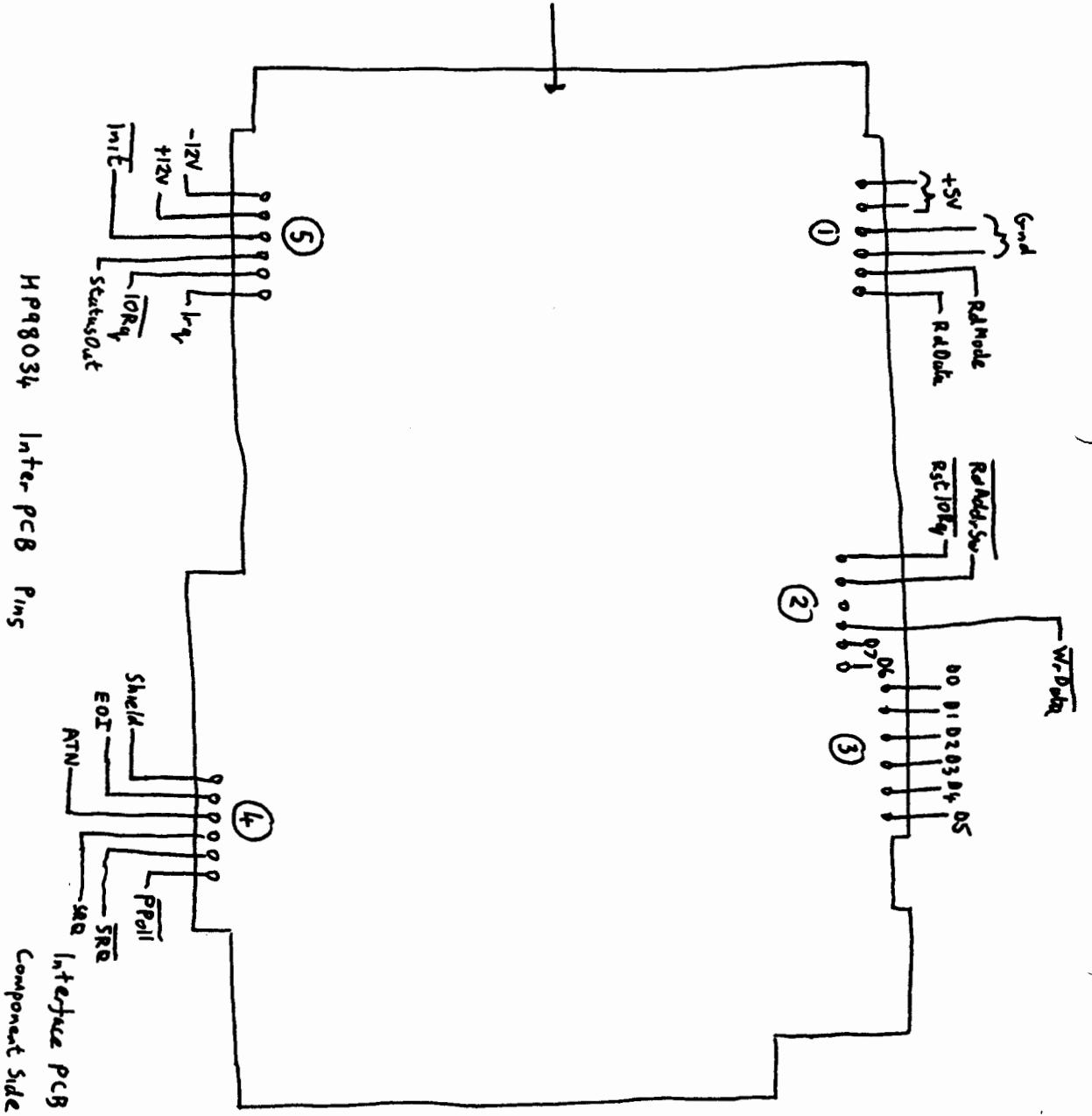


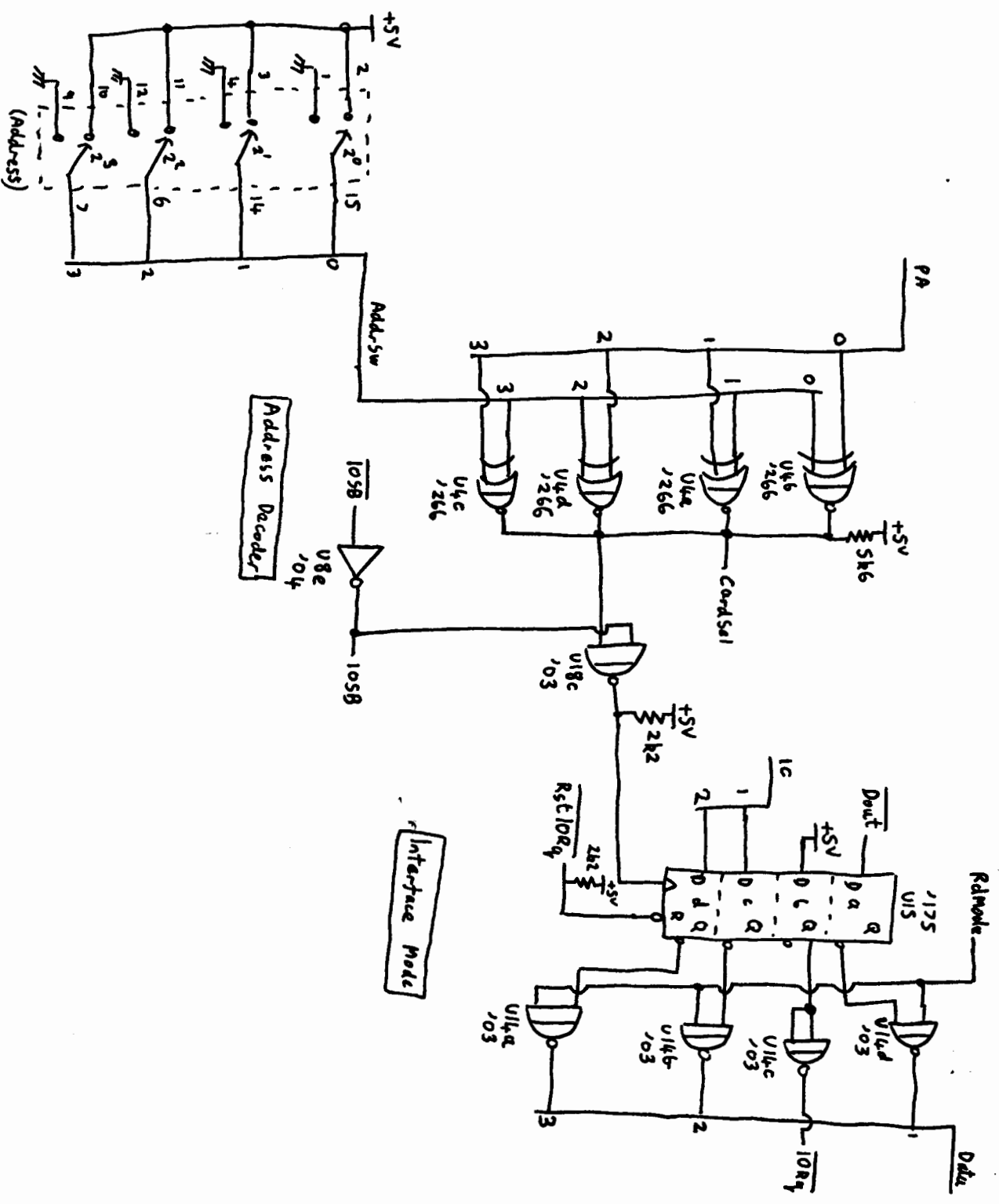
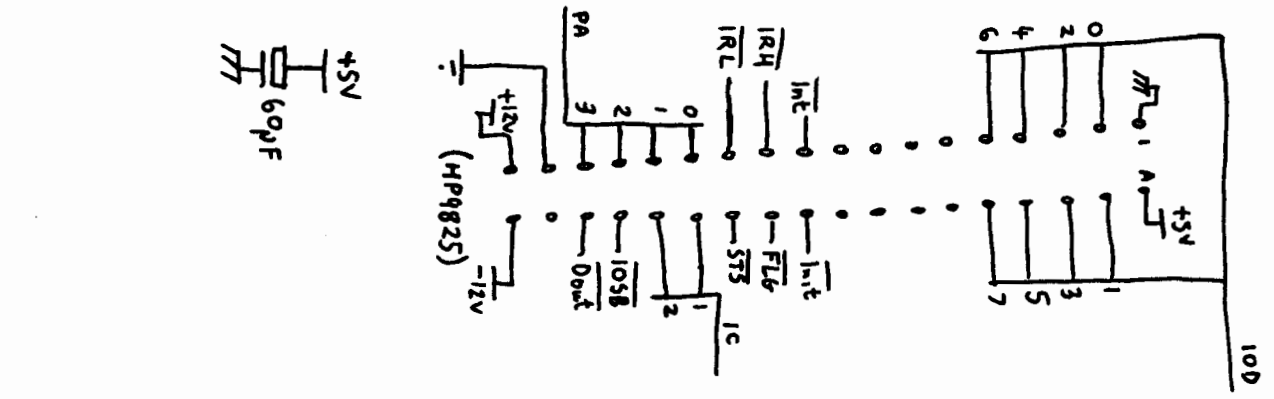
Nanocontroller

1820-1691

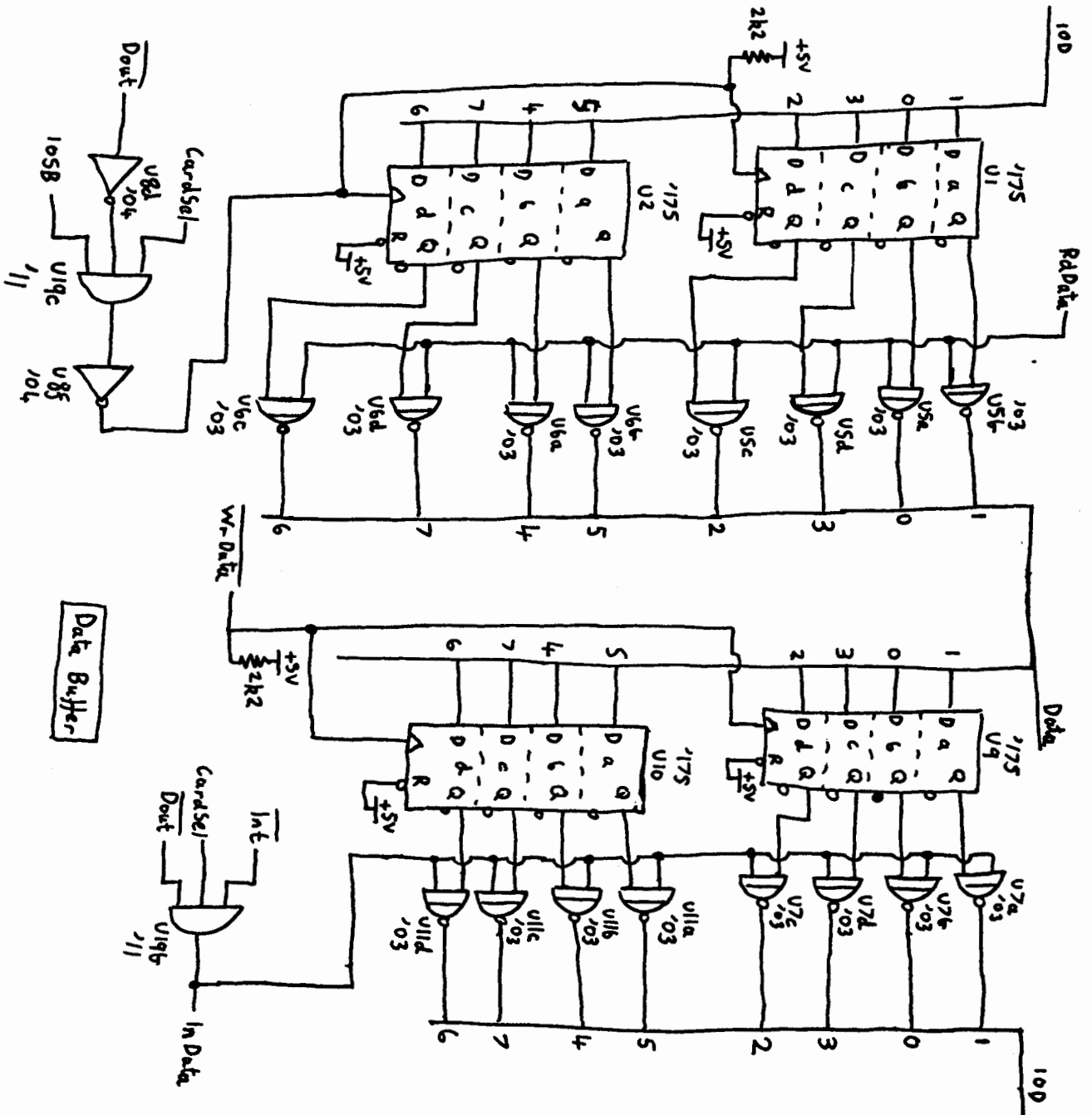


HP9825
edge connector

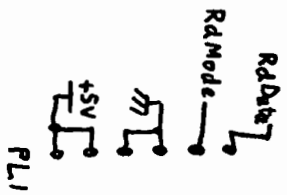
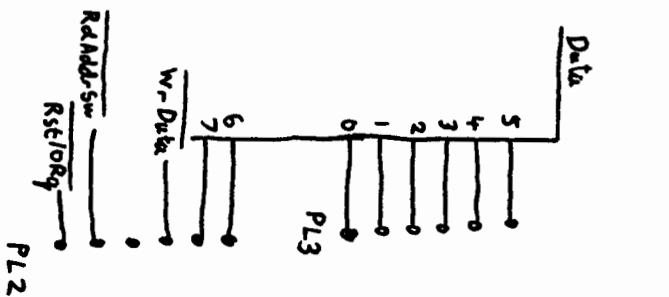




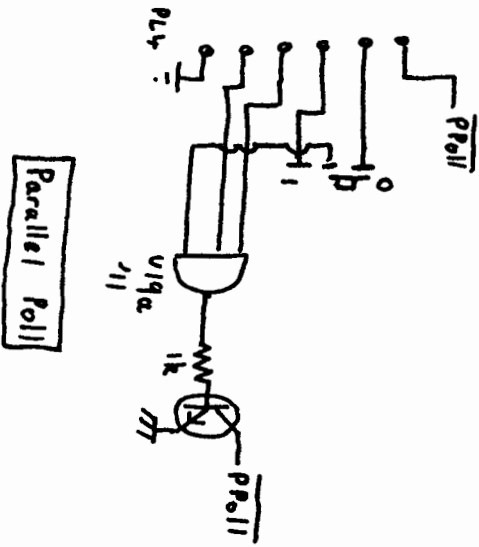
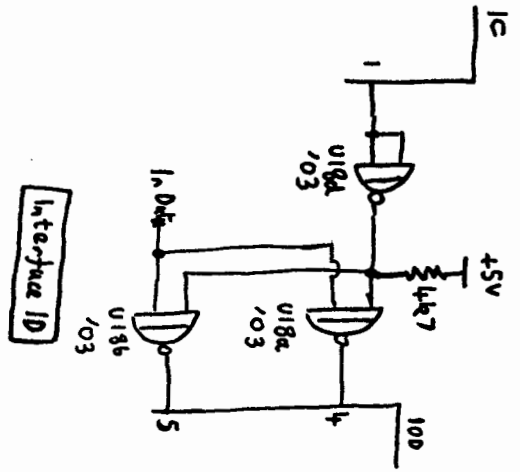
HP98034 HP1B Interface PCB sheet ① 98034-66501



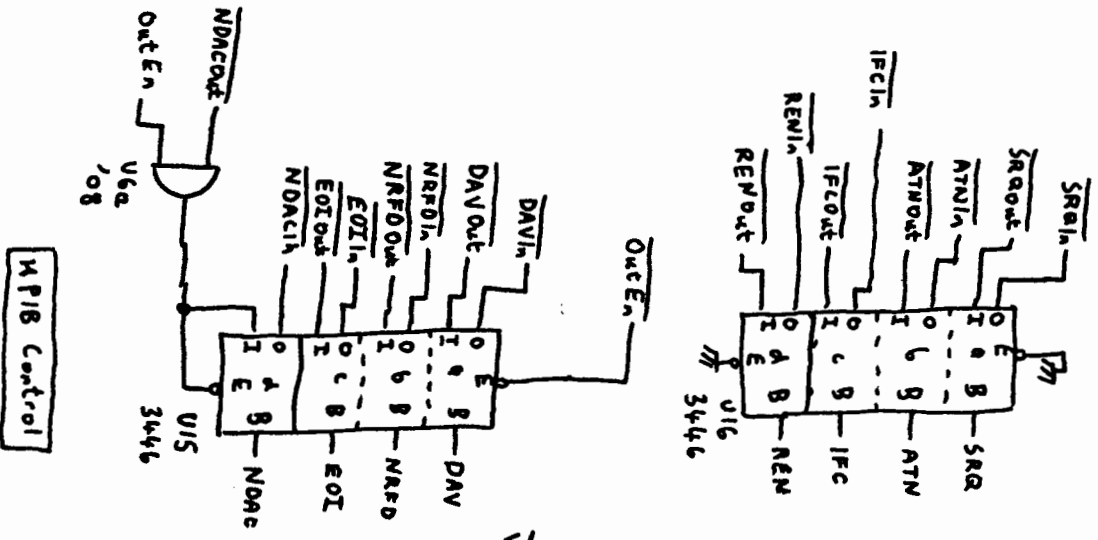
Data Buffer



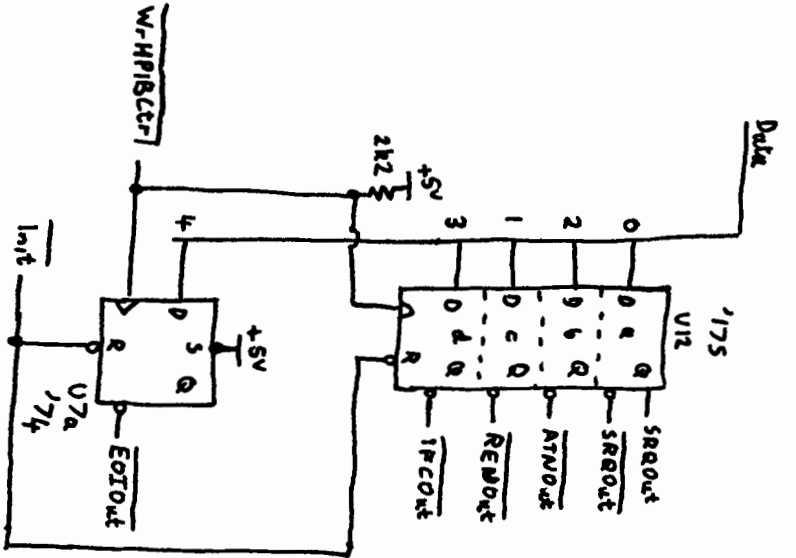
HP98034 HP1B Interface PCB Sket 2 98034-66501



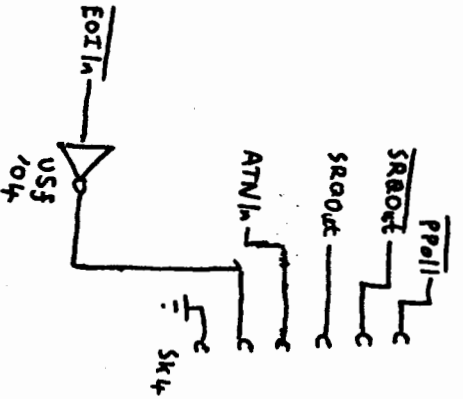
HP49034 HP1B Interface PCB skat (L) 98034-66501



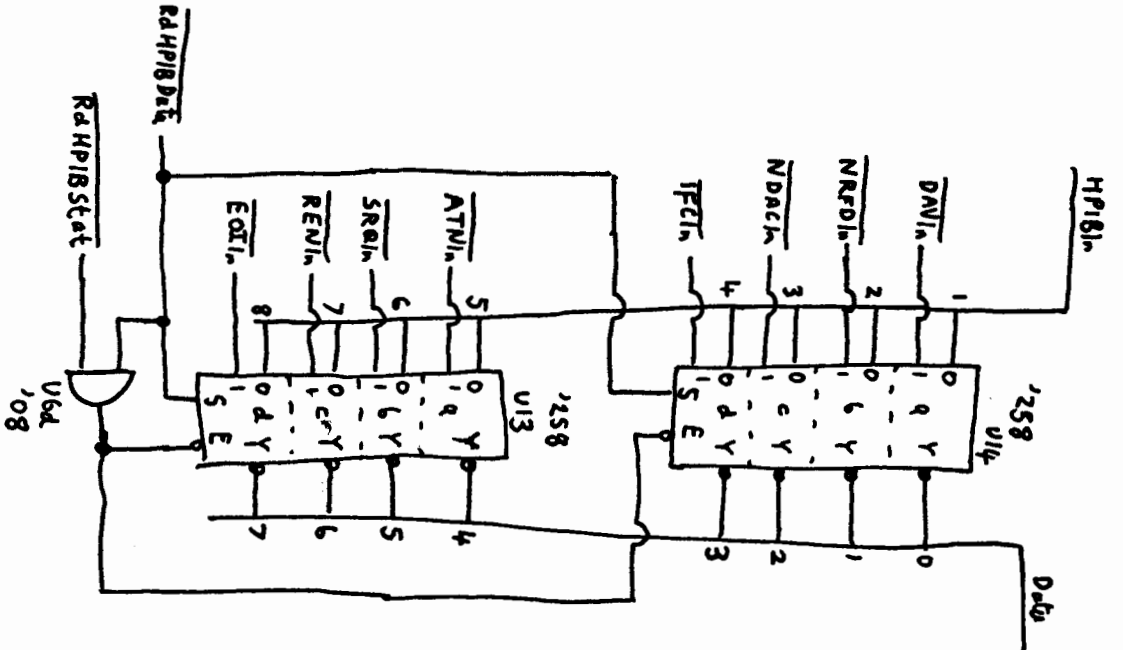
HP-IB Control

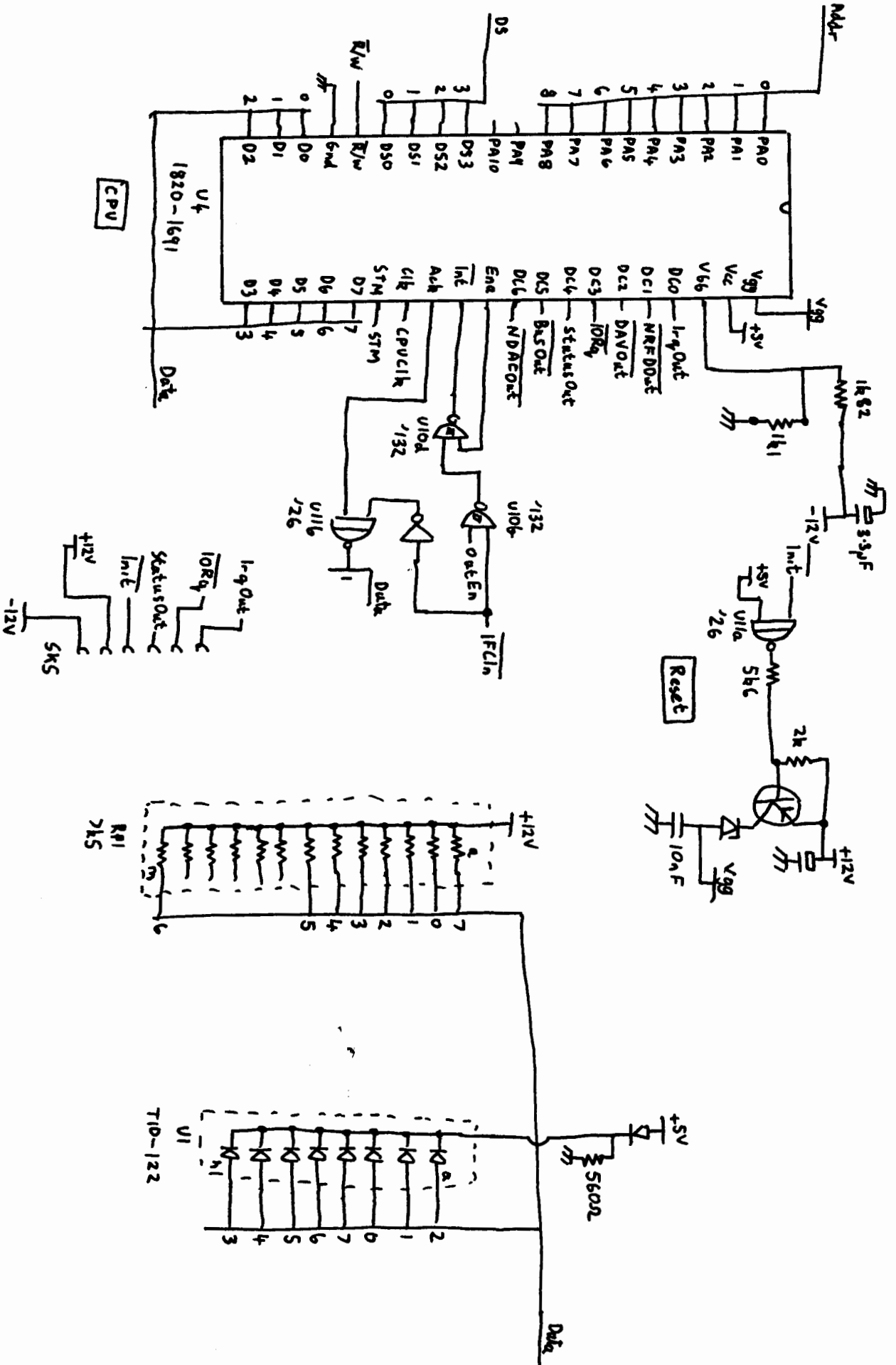


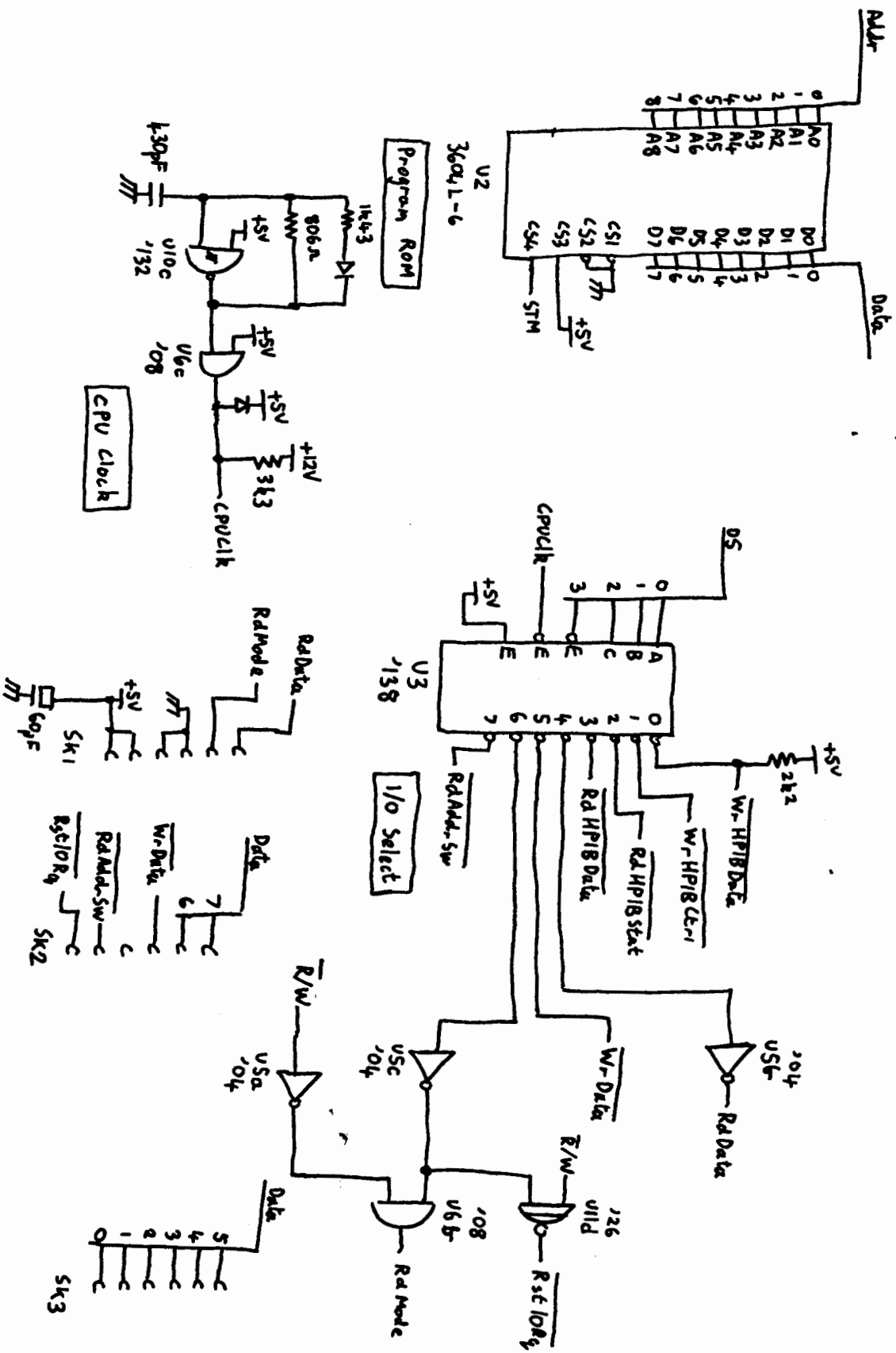
W-HP-IB Ctrl



HP-IB Input







HP98034L HP1B CPU PCB Sheet (4) 98034-66502