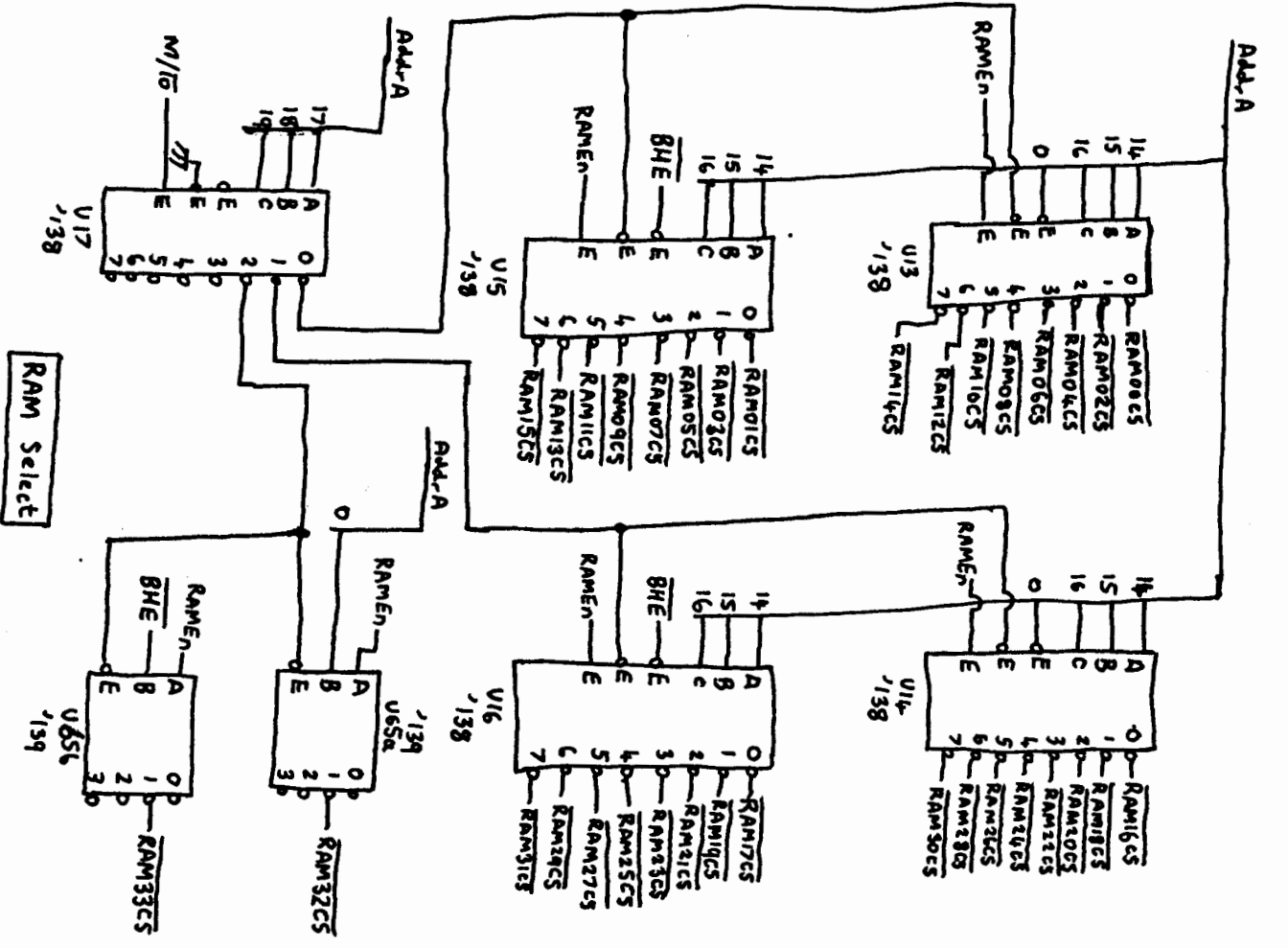
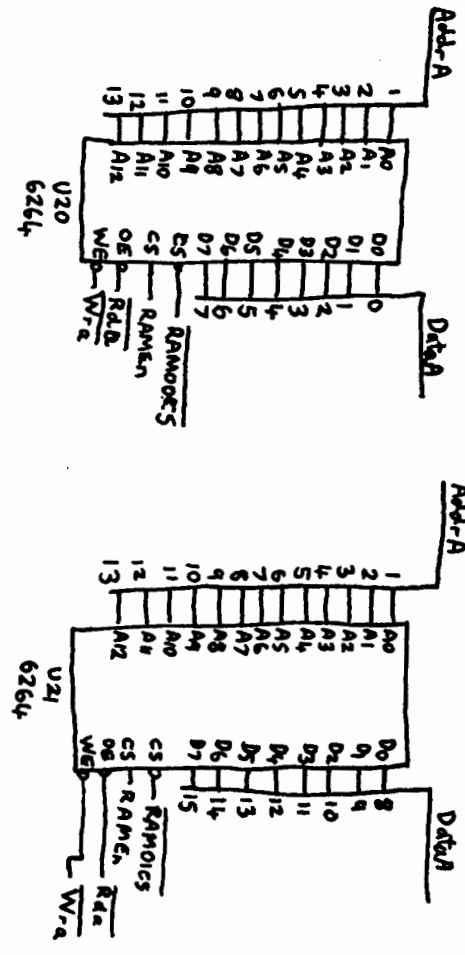


ROM

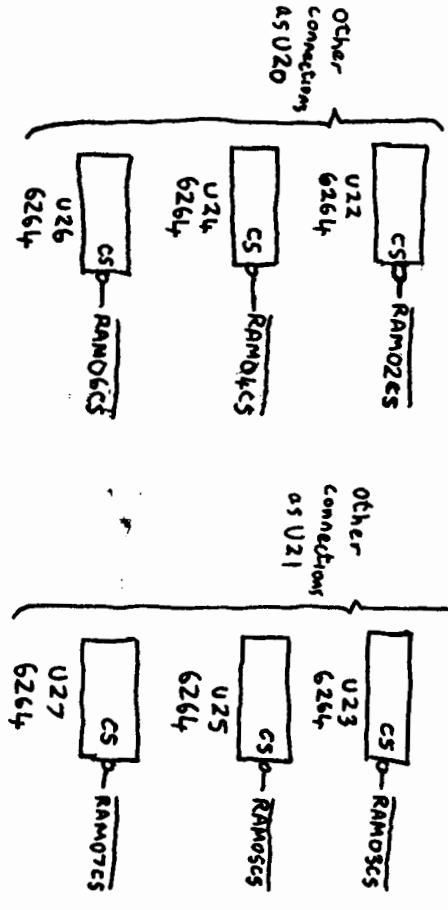


RAM Select

HP110 CPU/Memory PCB Sheet ⑮ 00090-60001

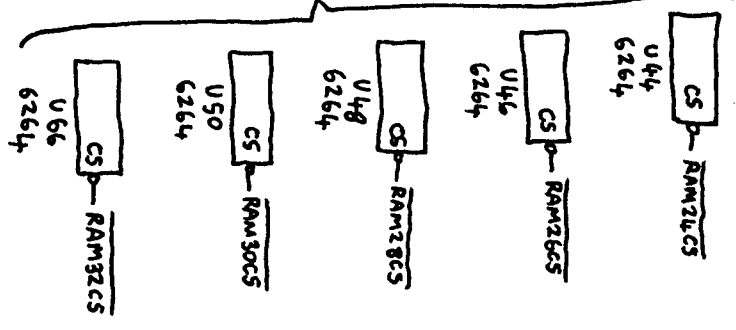
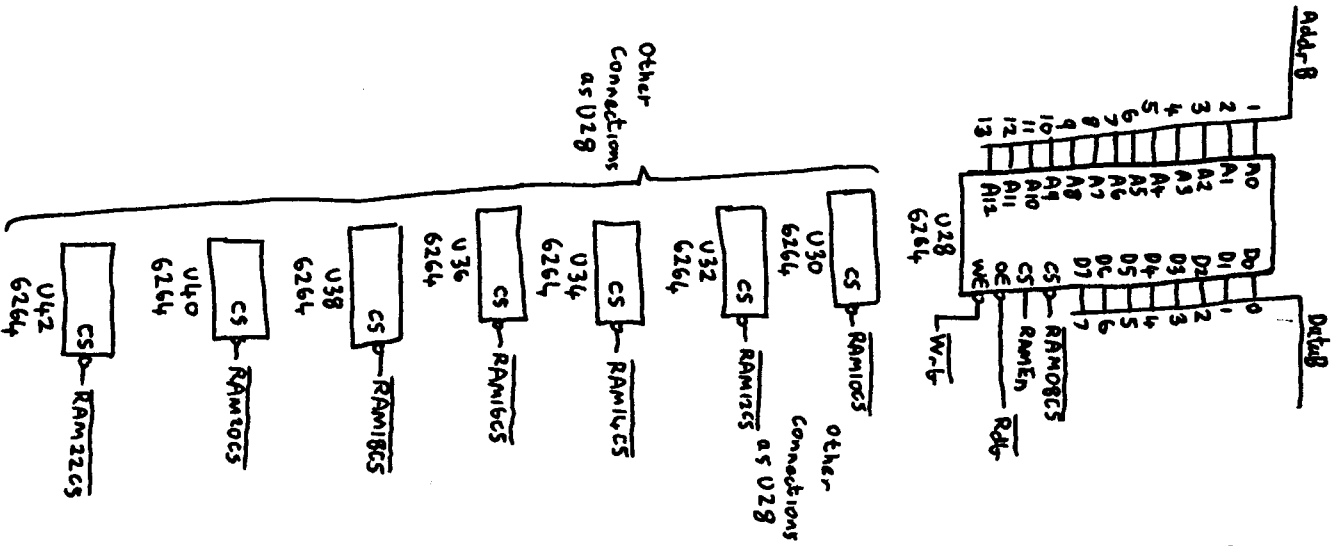


Low RAM

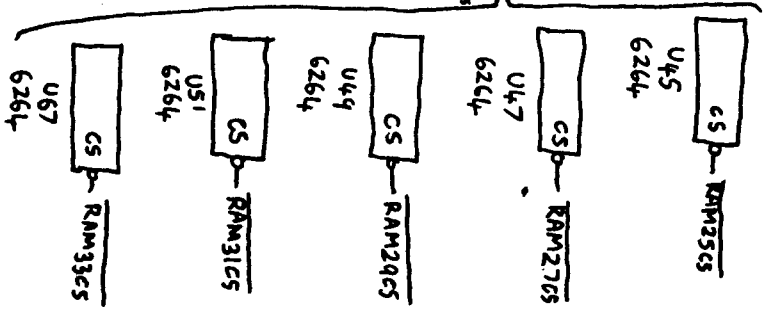
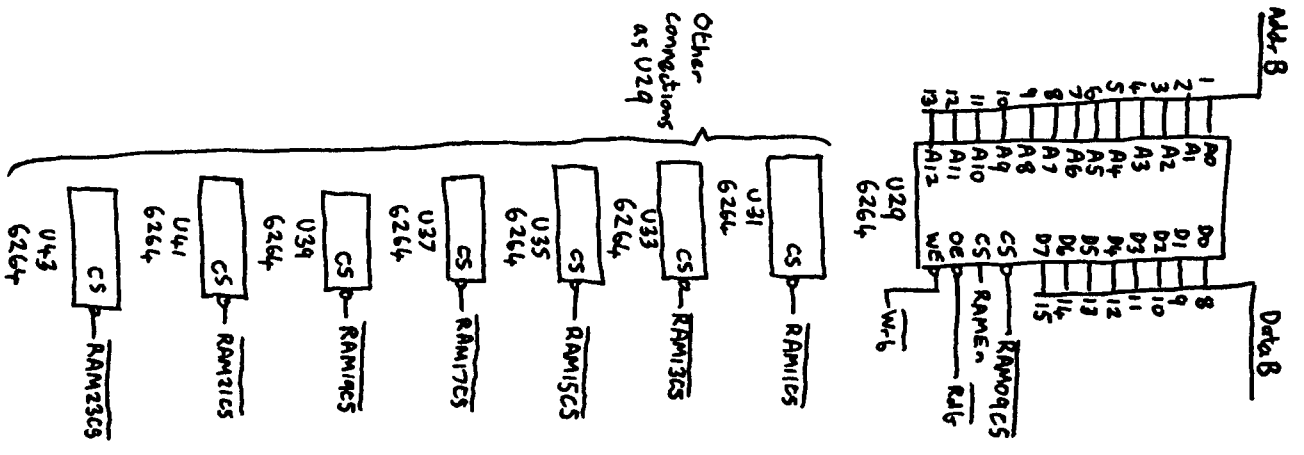


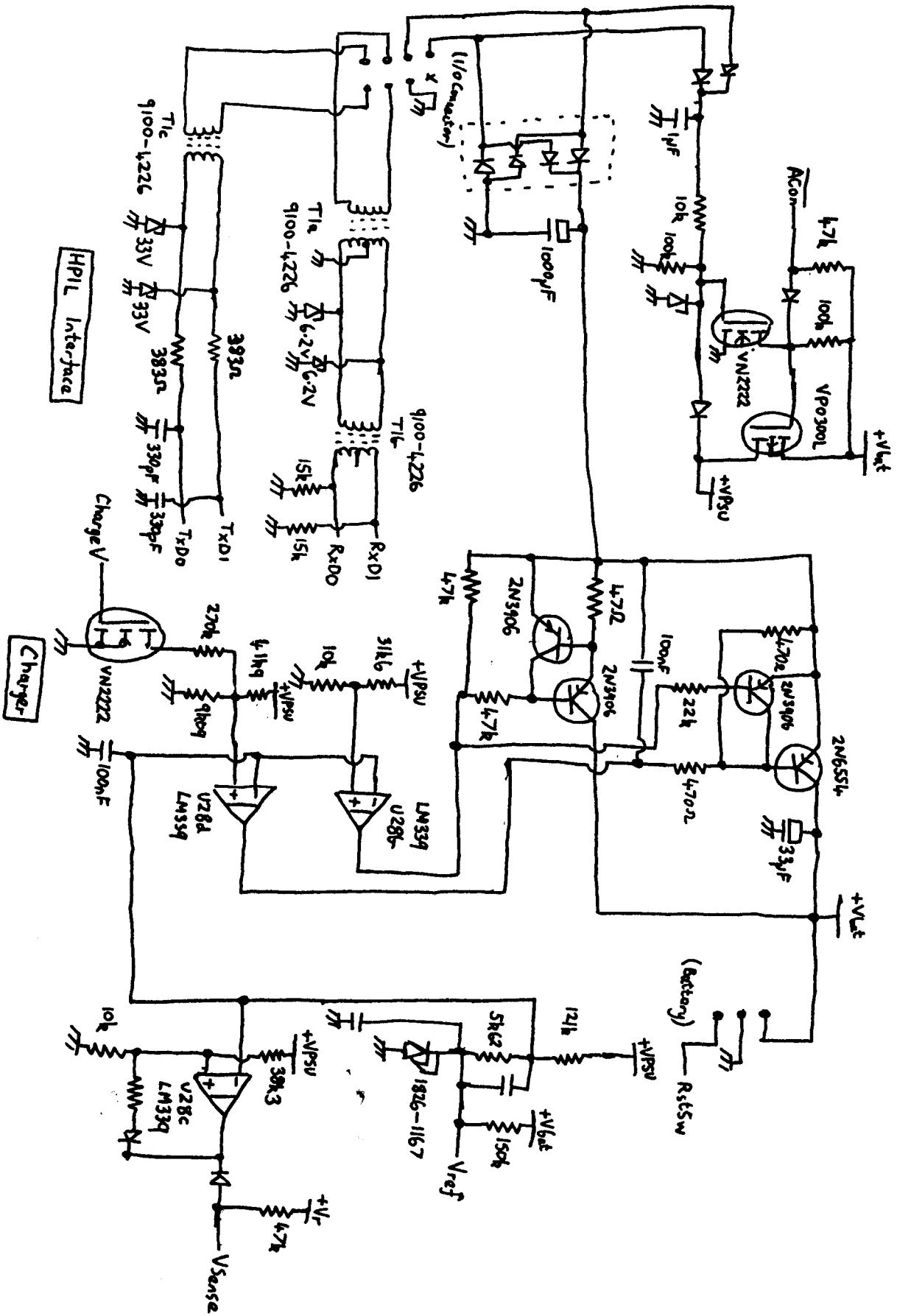
Other connections as U20

Other connections as U21



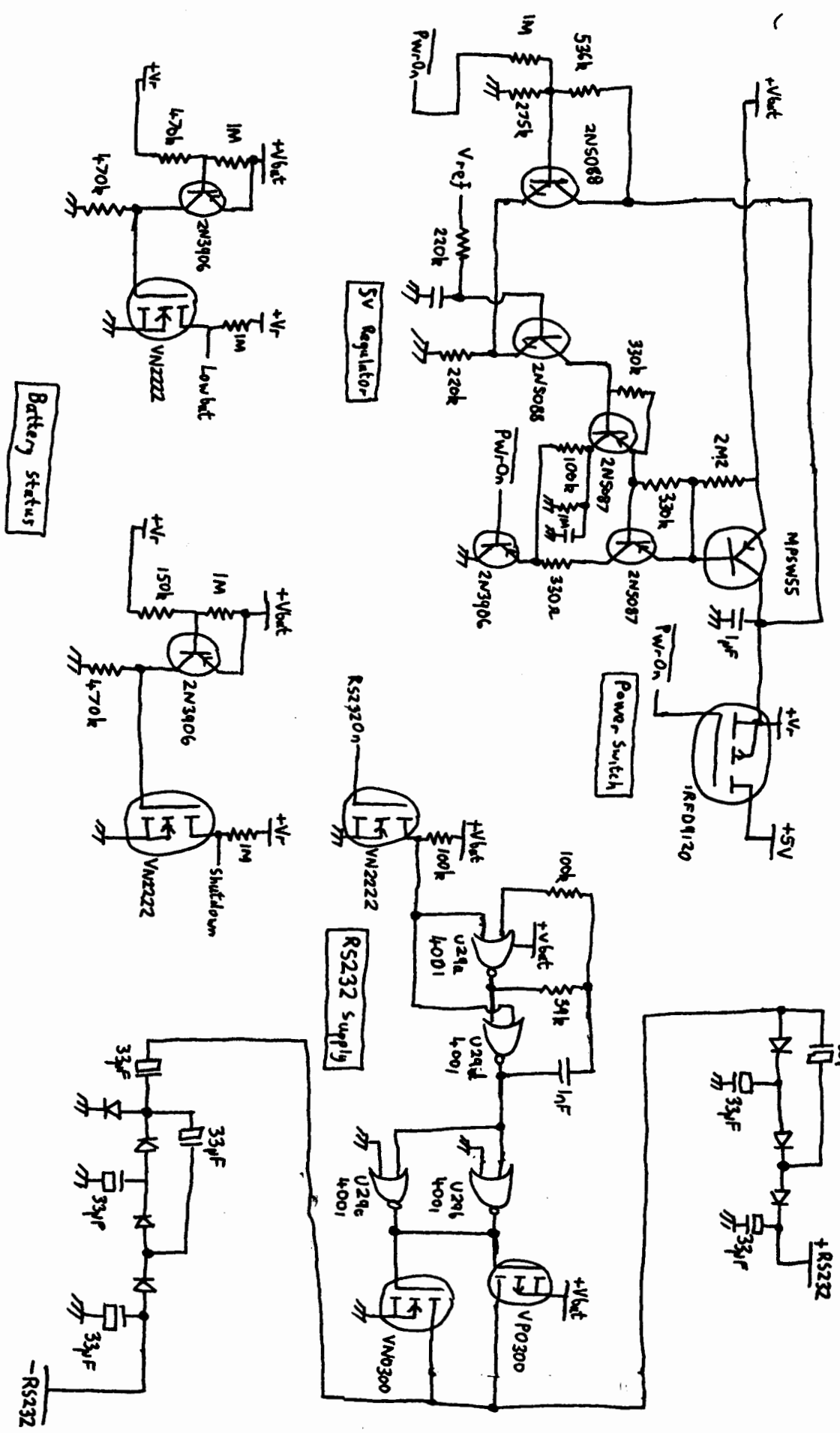
RAM

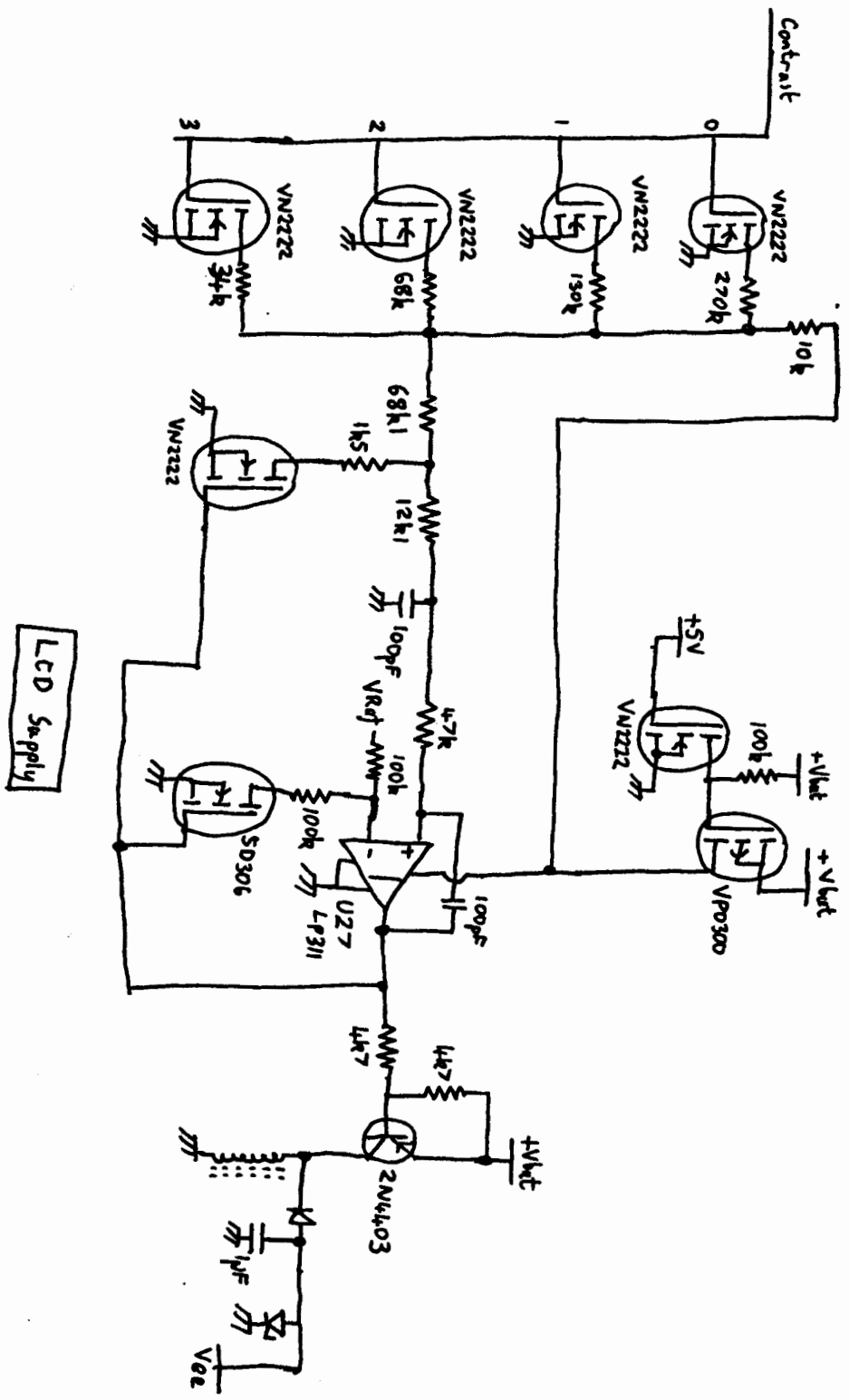




HP110 I/O PCB Sheet ①

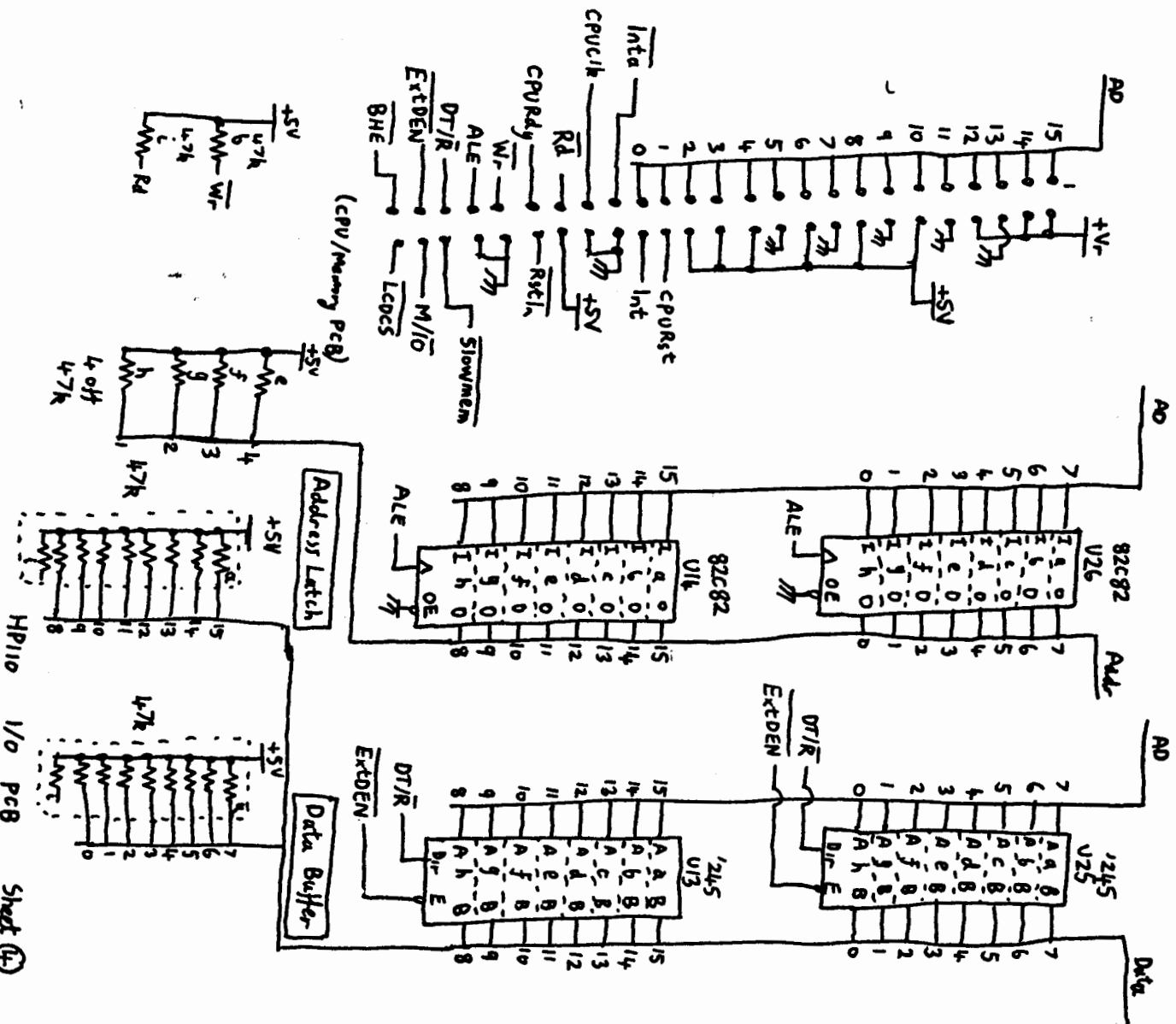
0009b-60047



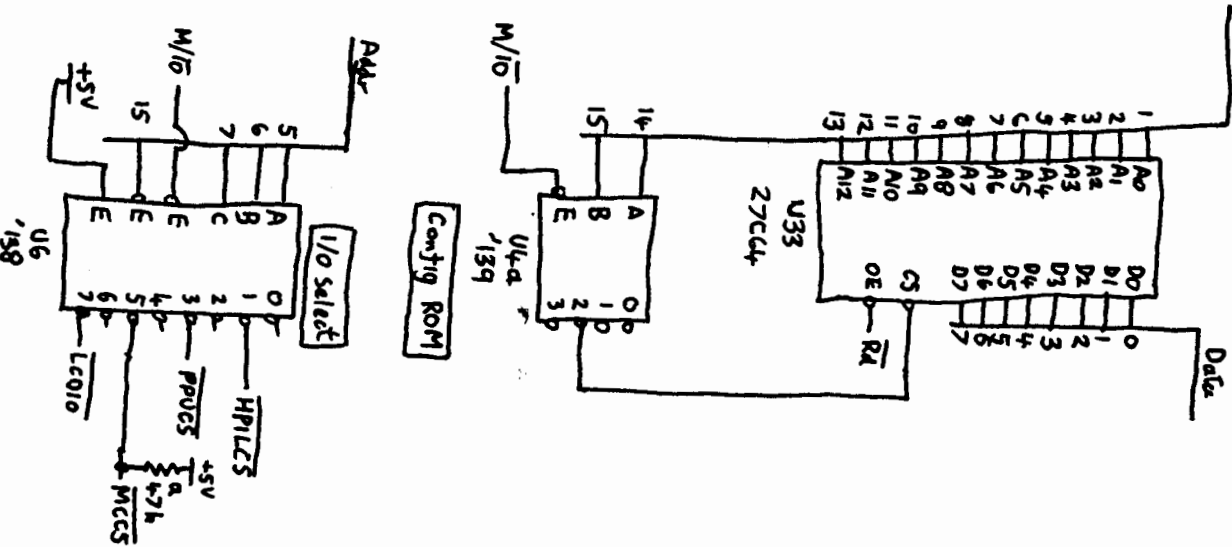


LCD Supply

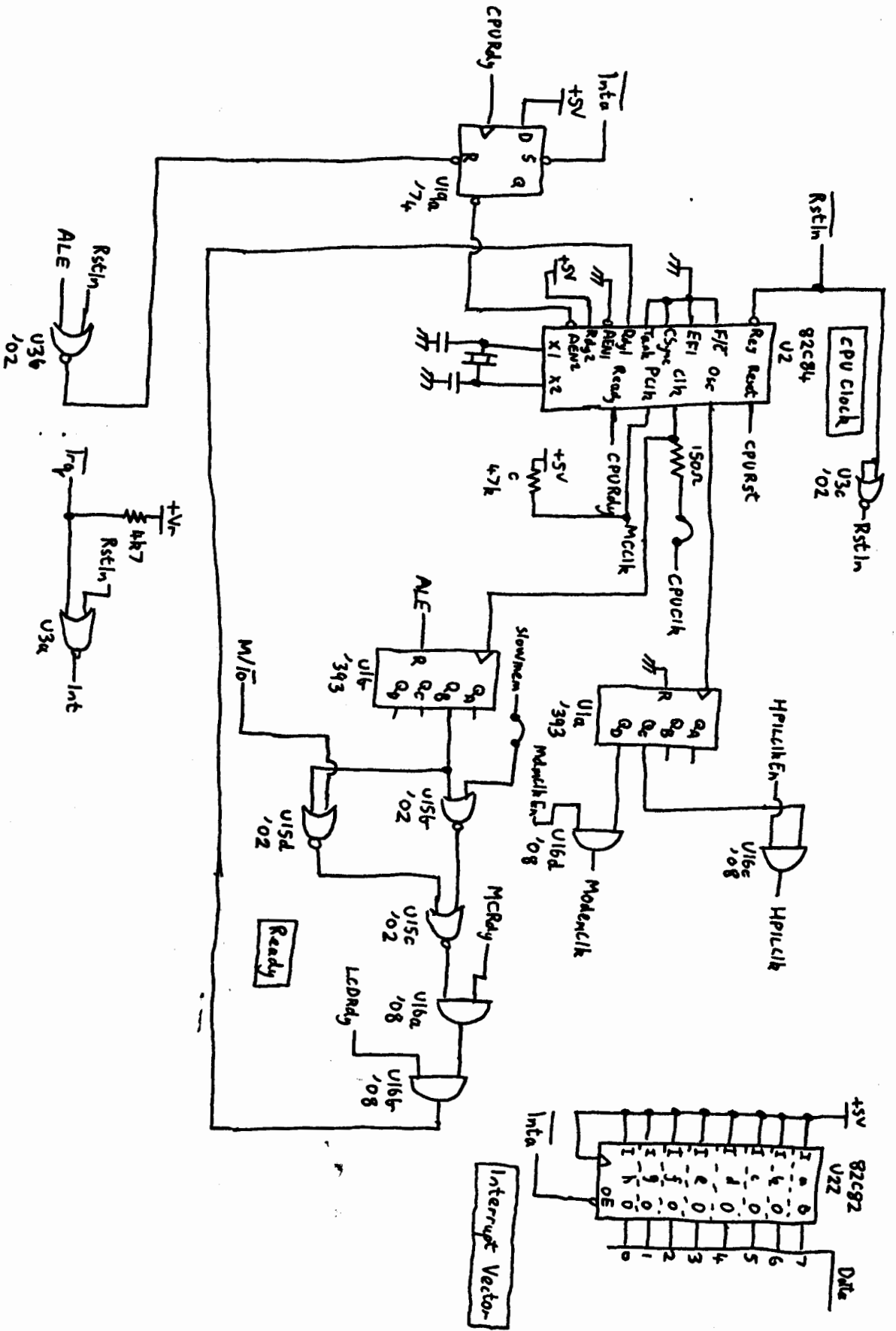


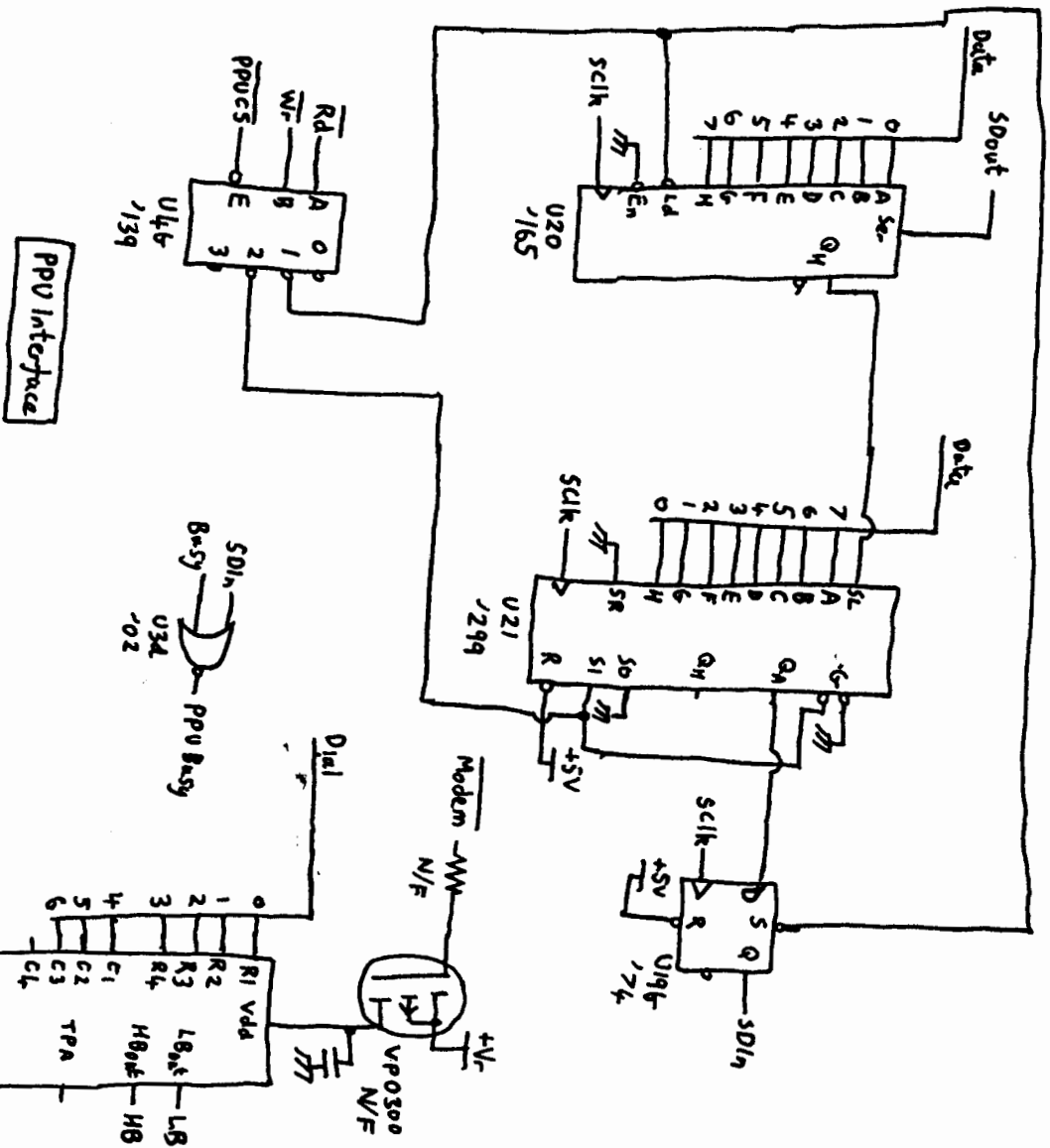
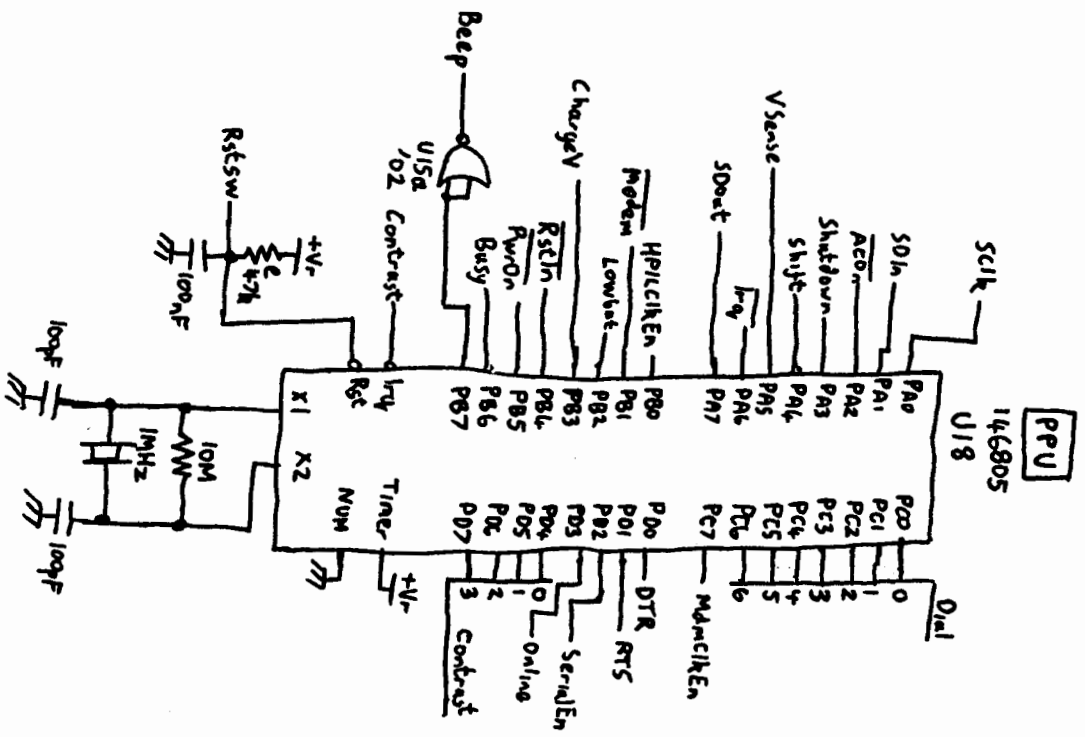


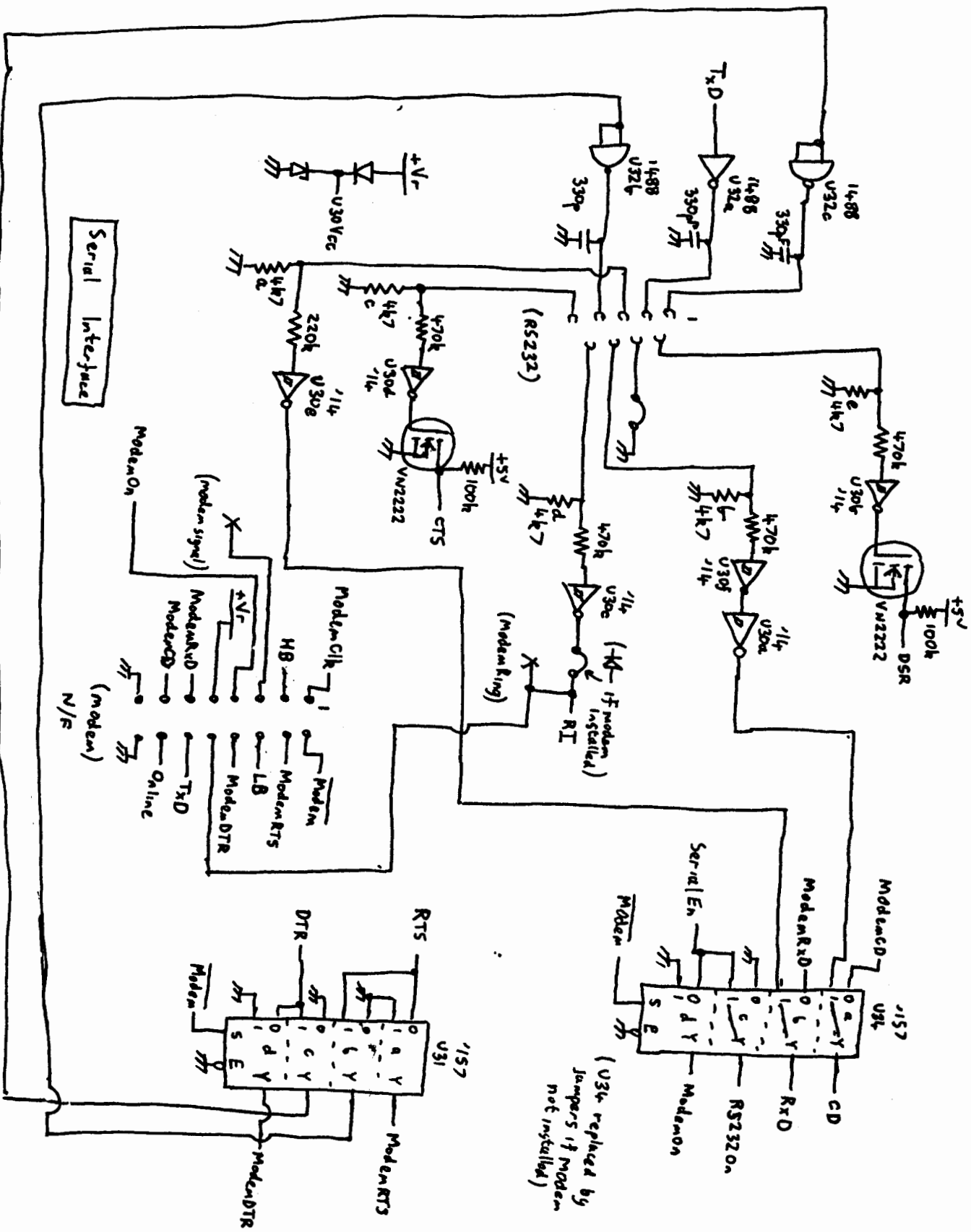
HP110 I/O PCB Sheet 14



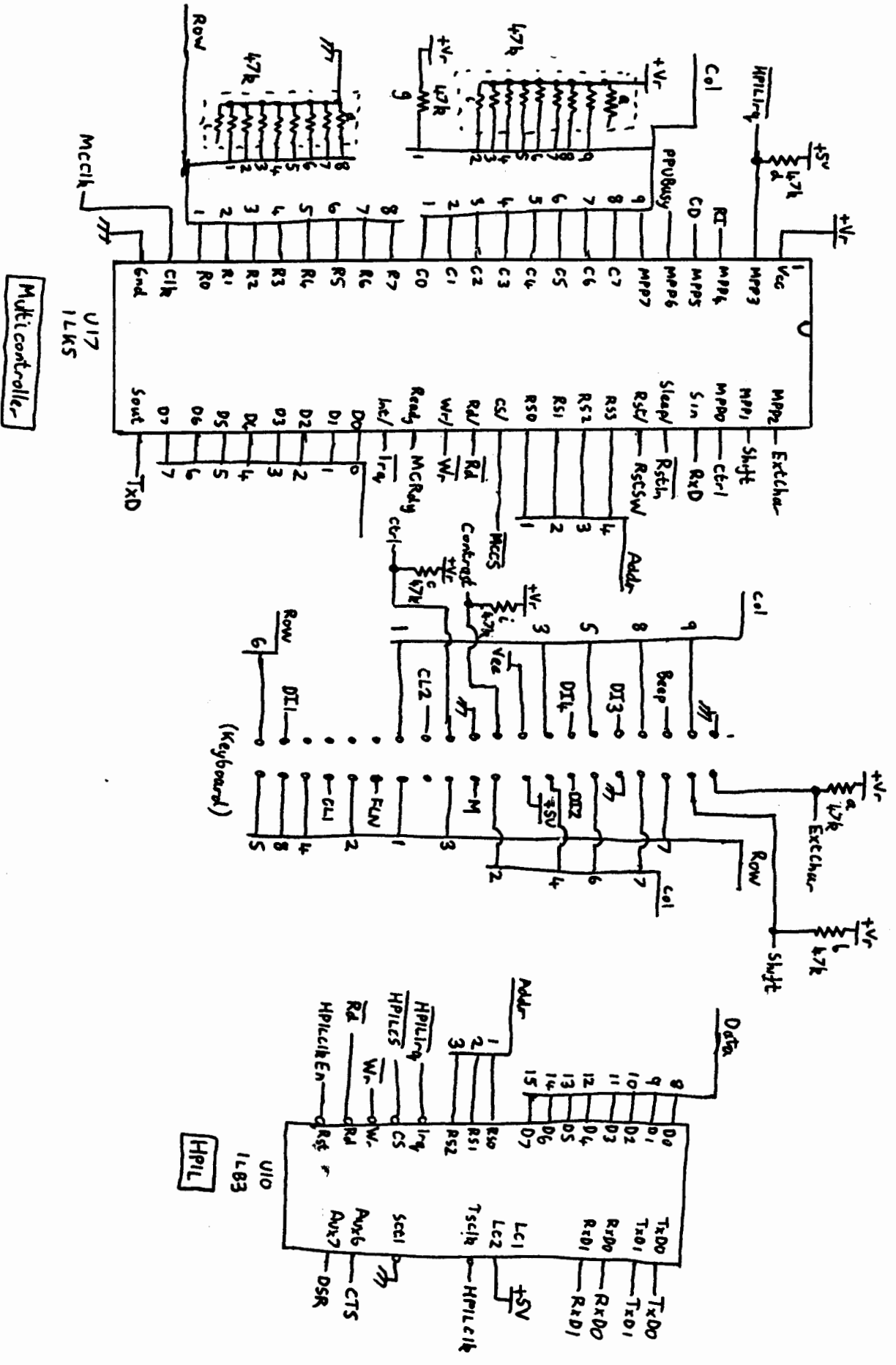
00090 - 60047

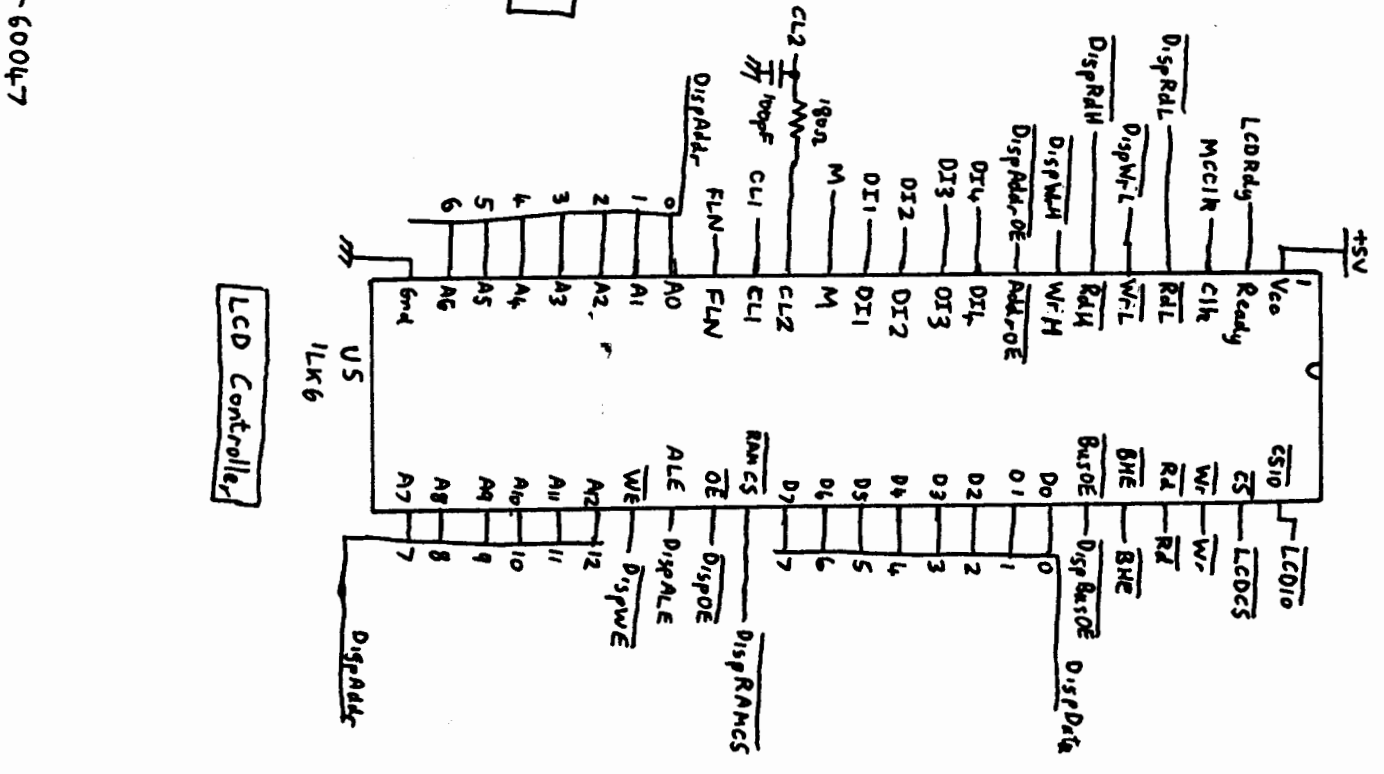
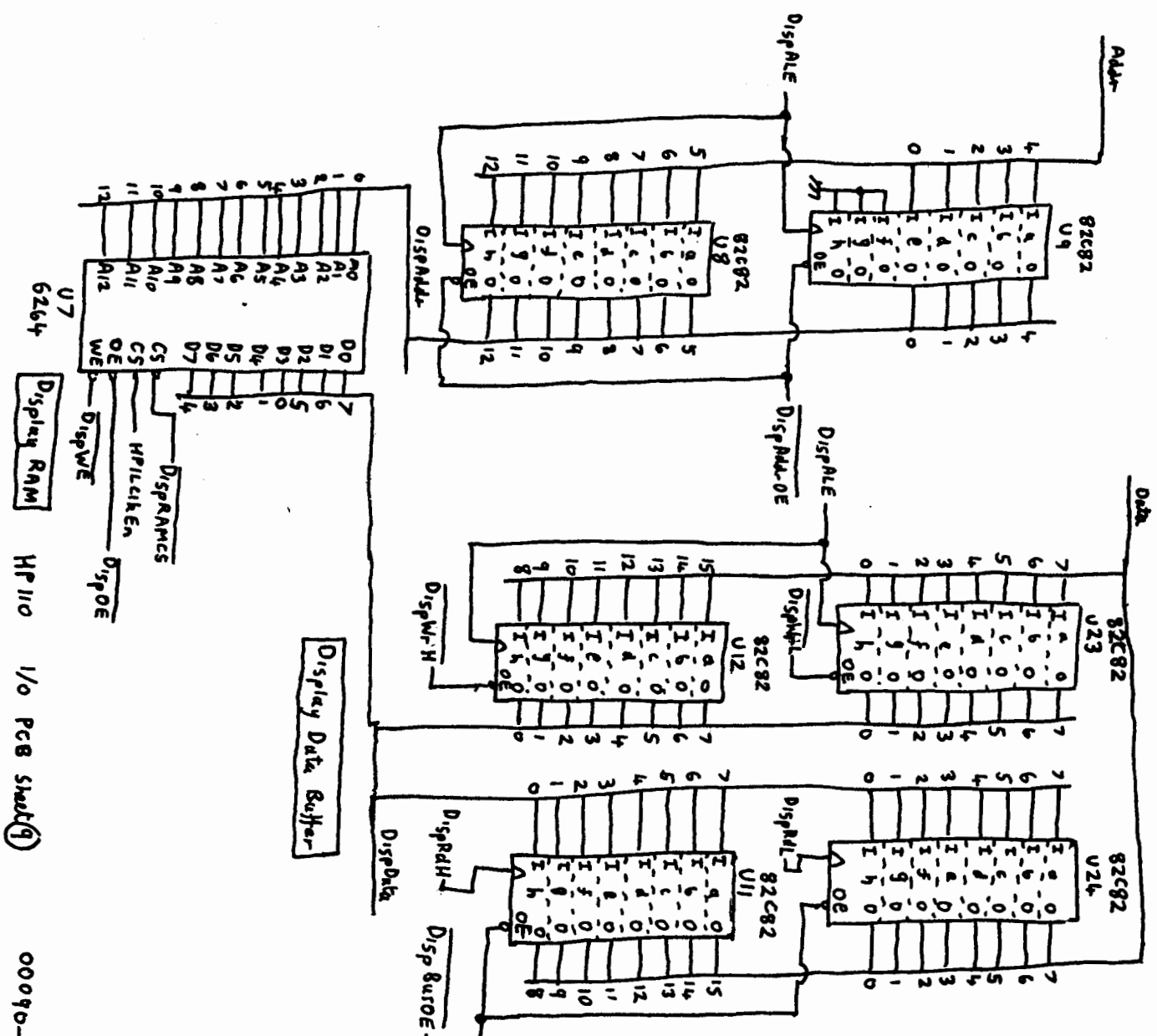




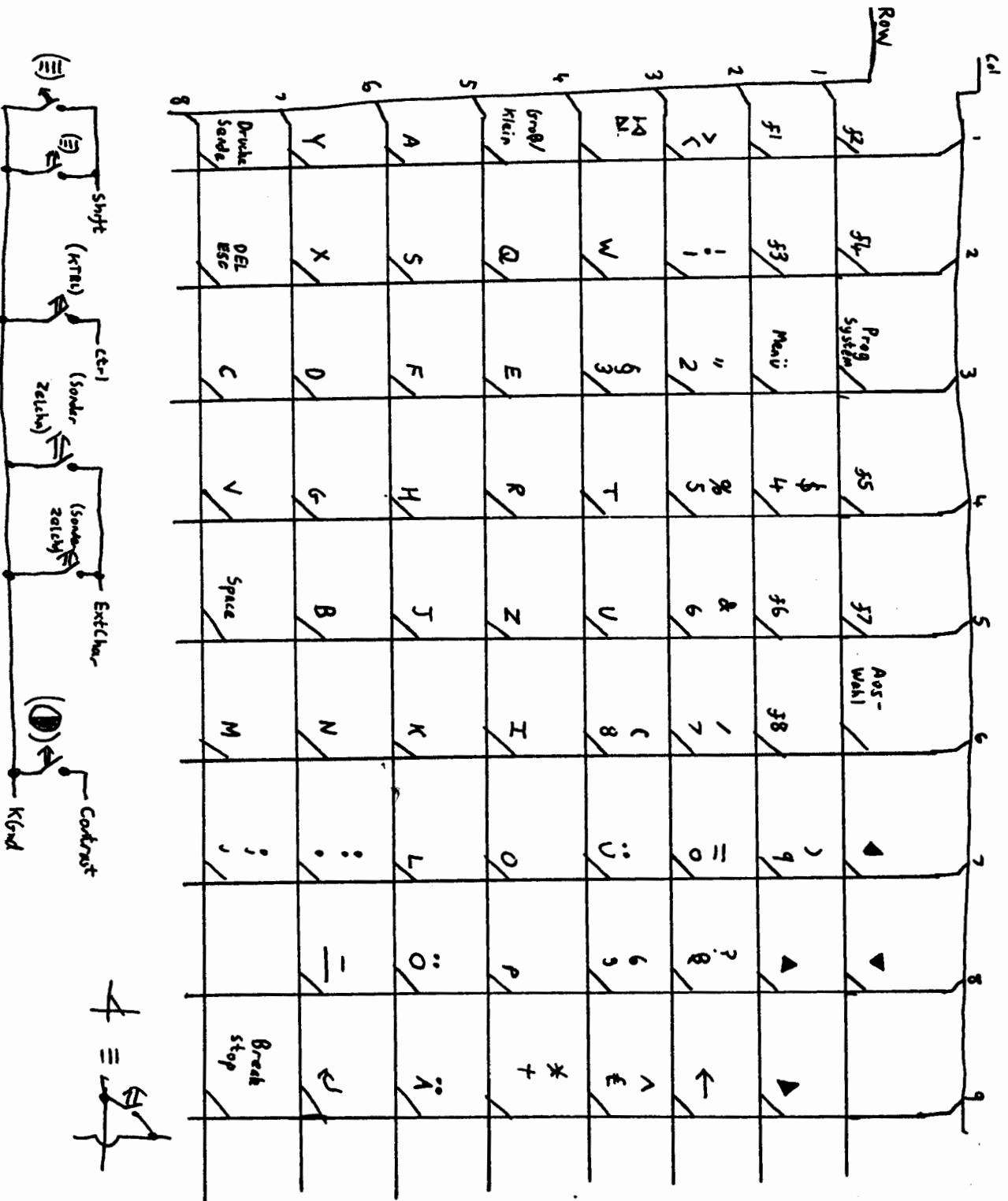
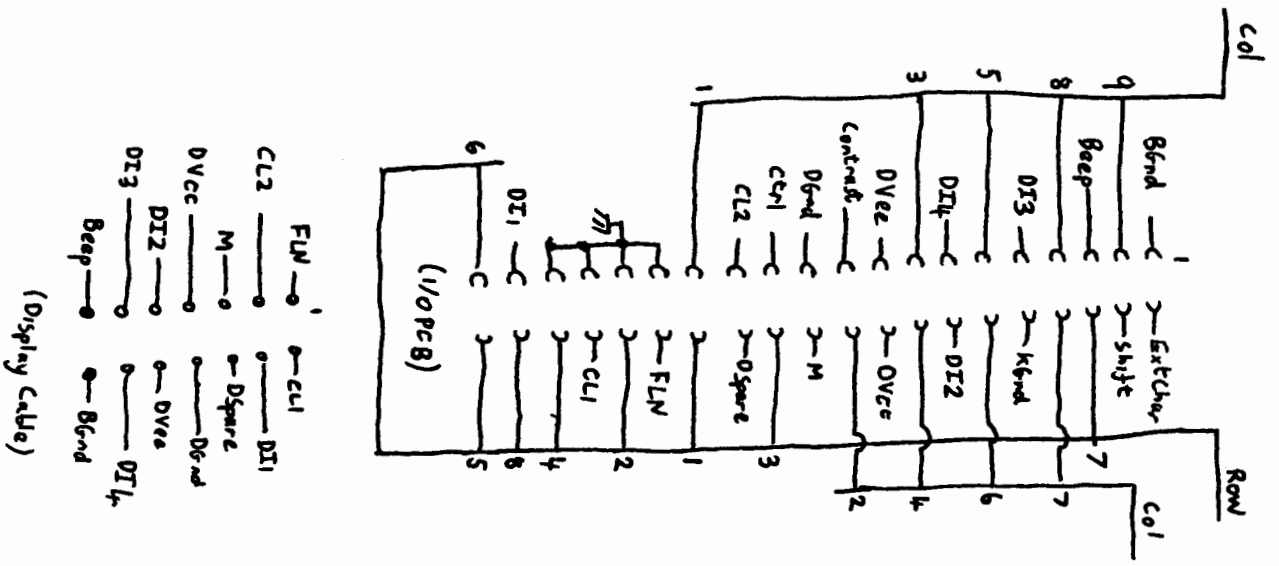


HP110 I/O PCB sheet ⑦ 00090-60047





6264  
 Display RAM  
 HP110 I/O PCB sheet 9  
 00090-6004-7



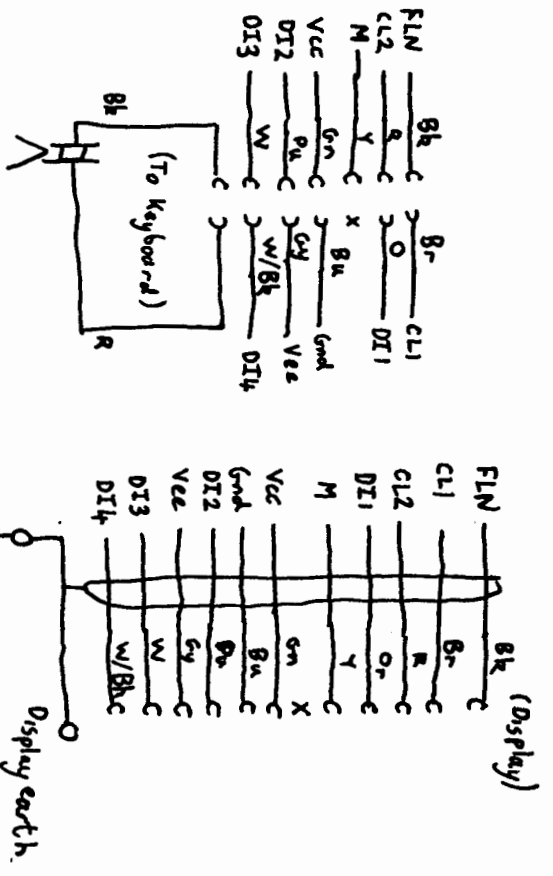
HP110 Keyboard (German)

00090-60063

f1	f2	f3	f4	Menü	Prog System	f5	f6	f7	f8	Auswahl	▲	▲	▼	▼
>	!	"	§	§	%	&	'	(	)	=	?	;	←	
<	1	z	3	4	5	6	7	8	9	0	1	2	→	
14	Q	W	E	R	T	Z	U	I	O	P	U	+	↖	
Groß/ Klein	KTRL	A	S	D	F	G	H	J	K	L	ö	ä	↗	
DEL ESC	≡	Y	X	C	V	B	N	M	;	:	—	≡	○	
	Druck Send	Sonder Zeich	Space Bar										Sonder Zeich	Break Stop

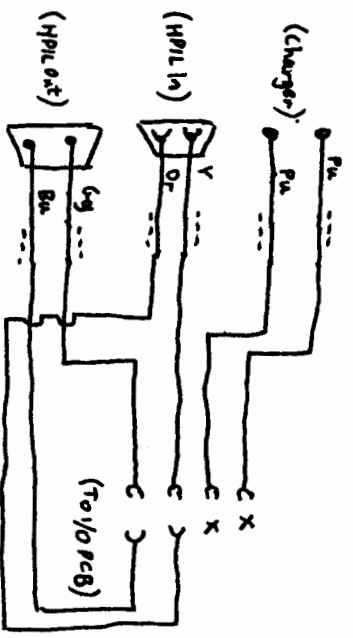
HP 110 Keycaps (German Keyboard)



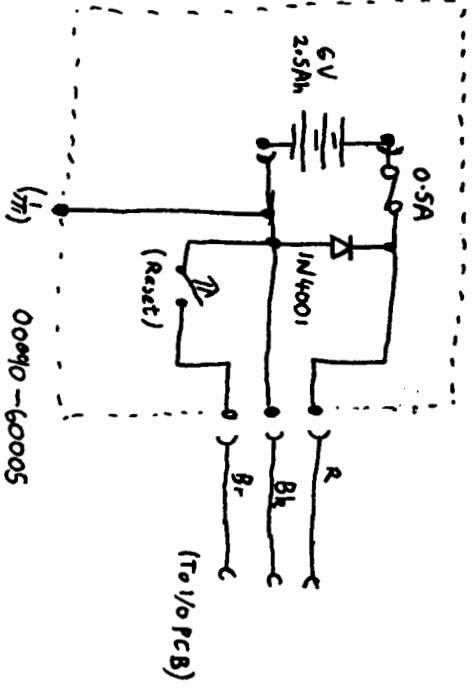


Display cable

Battery



I/O Connector



HP110 Wiring