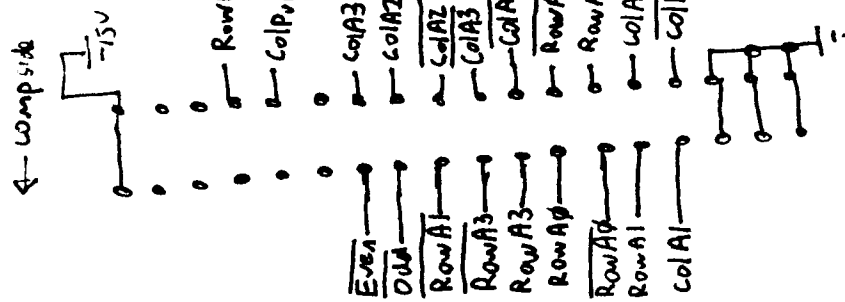
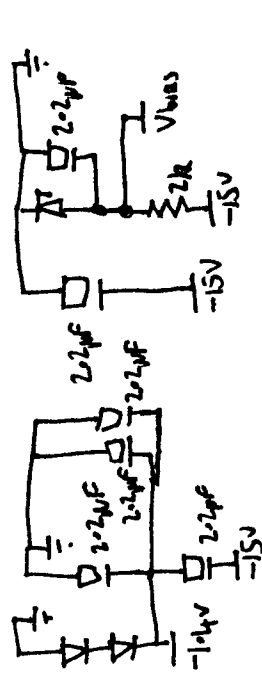
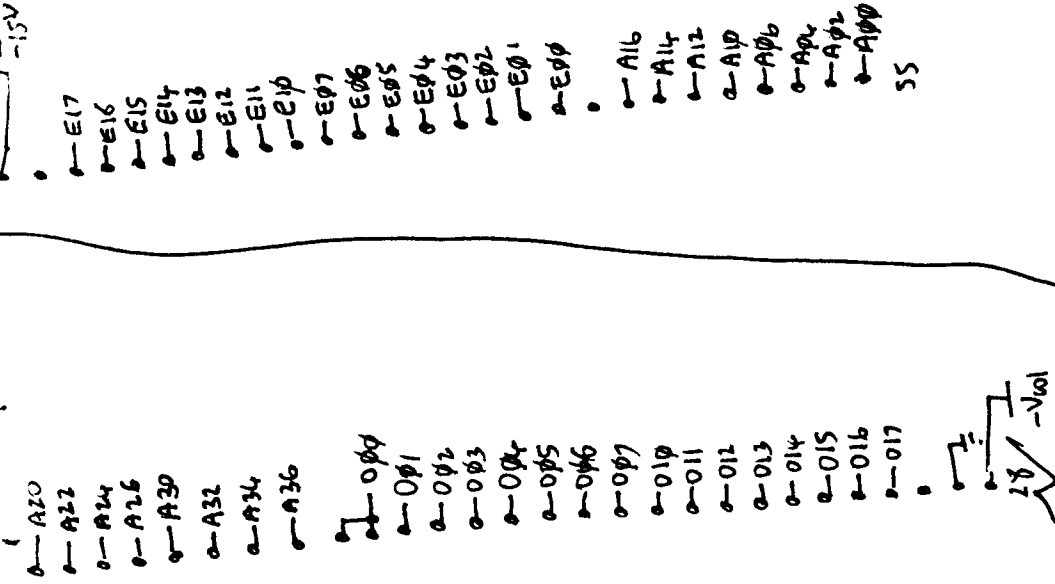


← Comp side

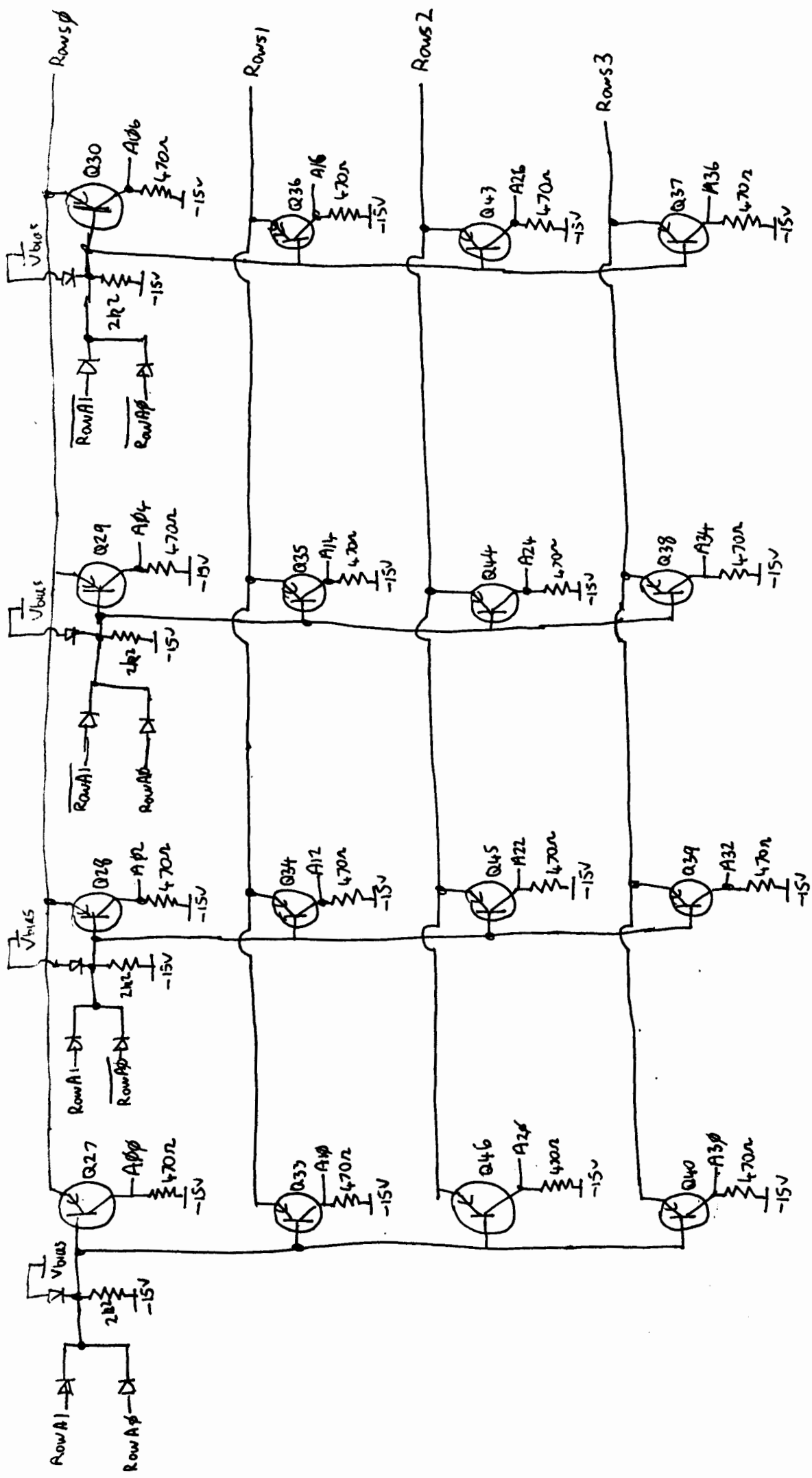


→ RHS

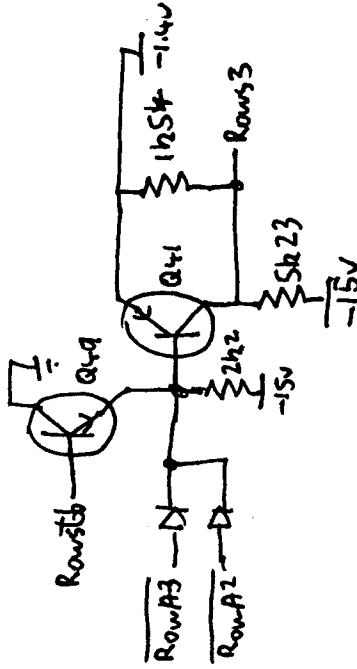
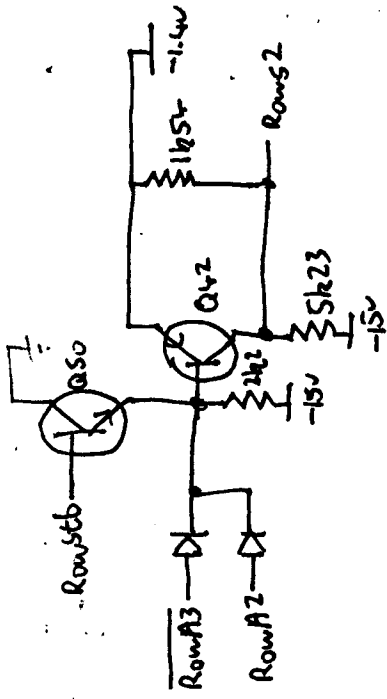


PSU

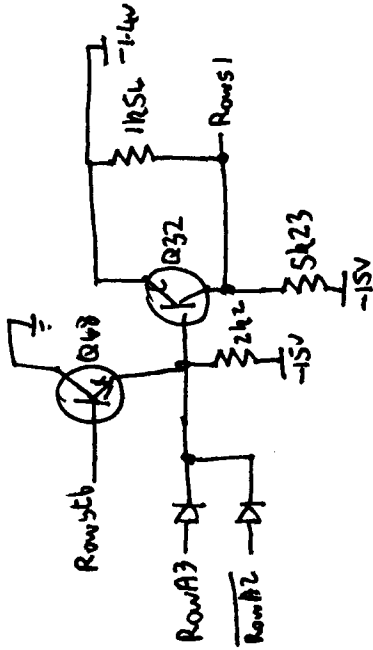
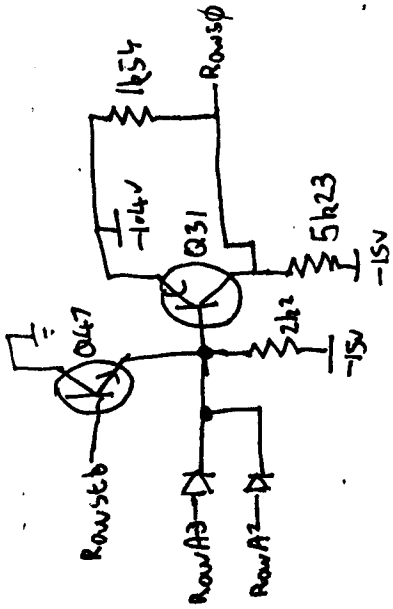
ROM Address Connections
(to 01100-66576)

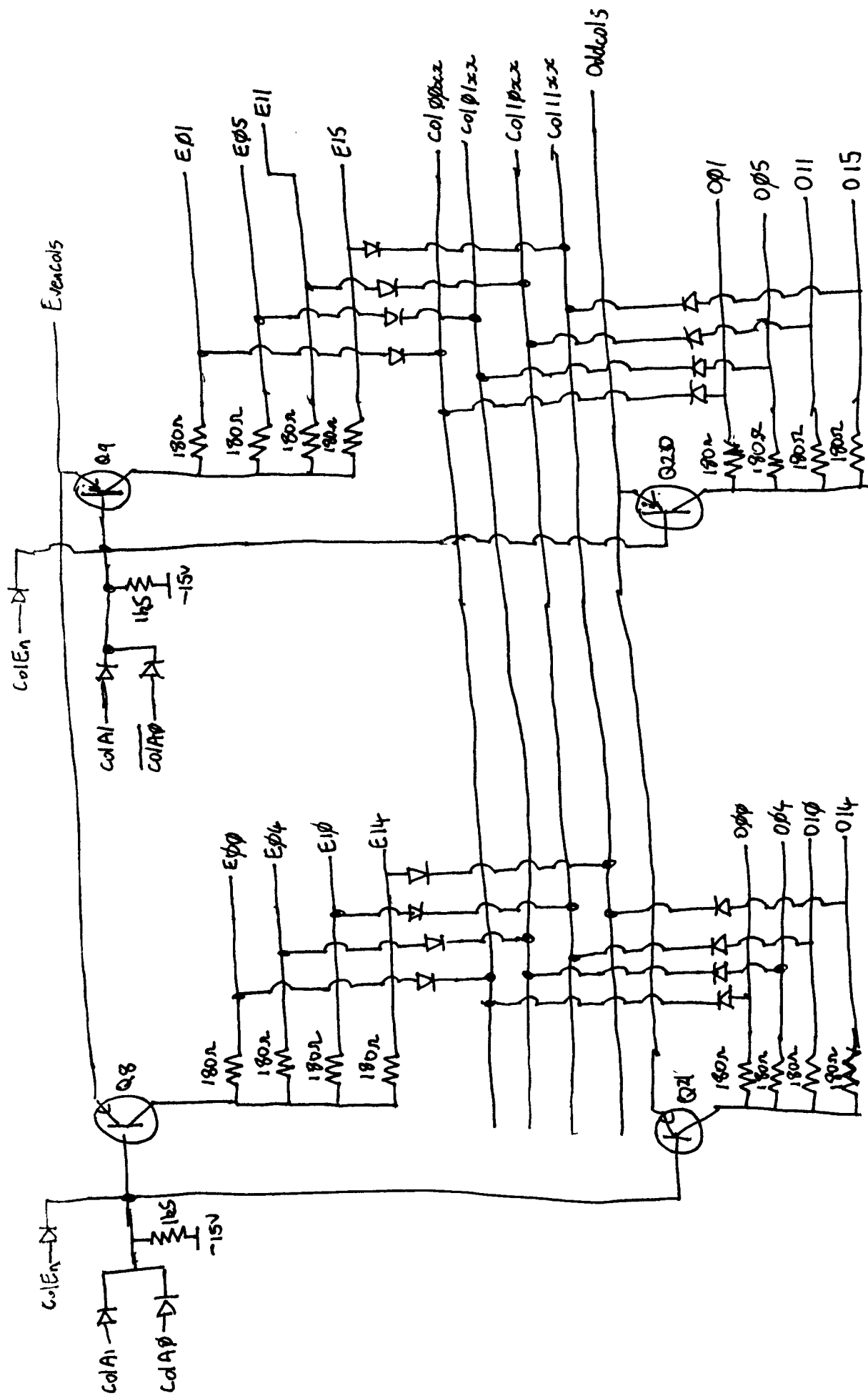


Row Decoder

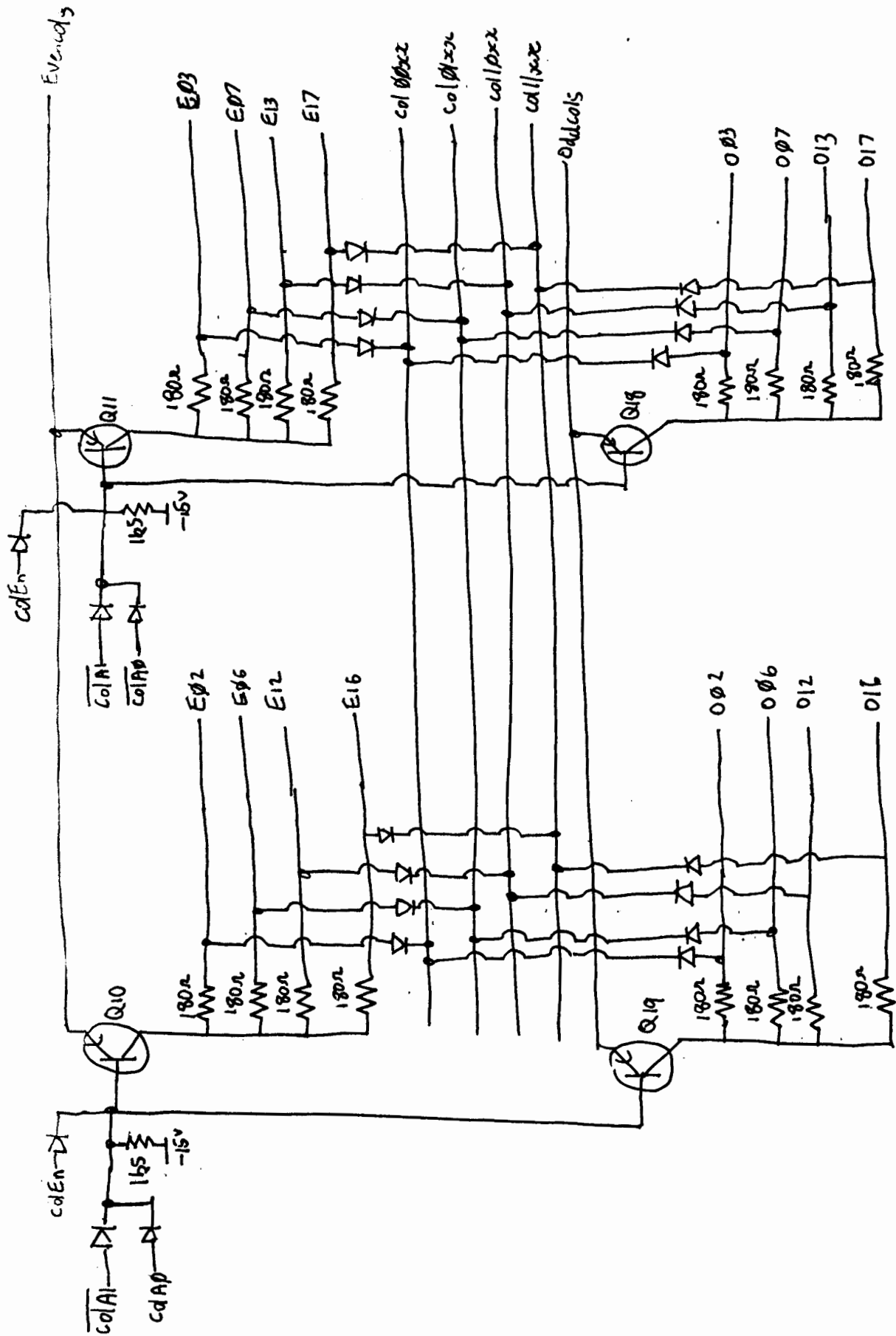


Row Decoder

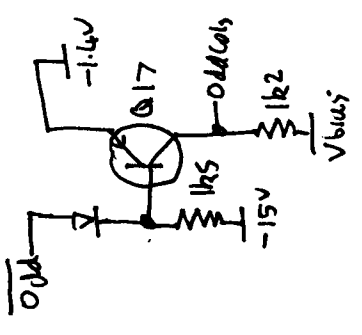
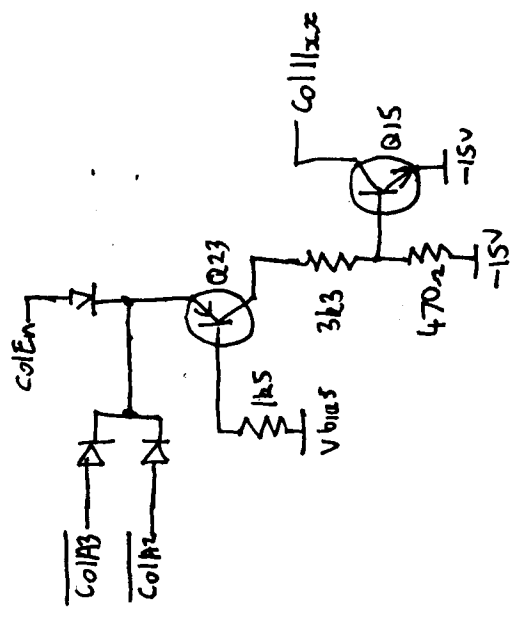
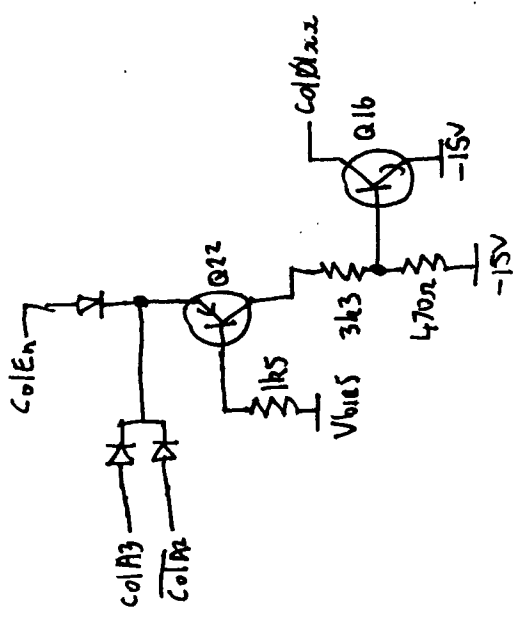
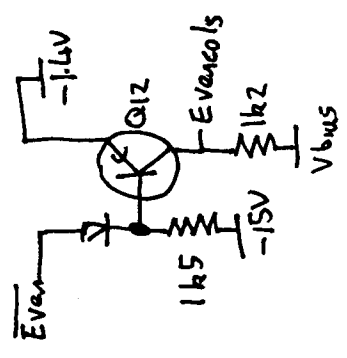
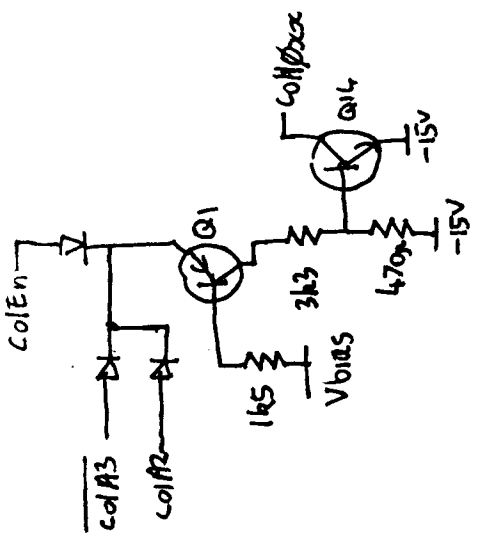
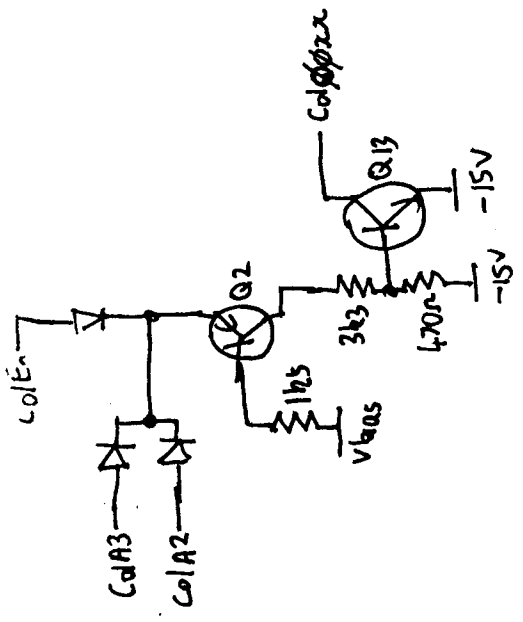




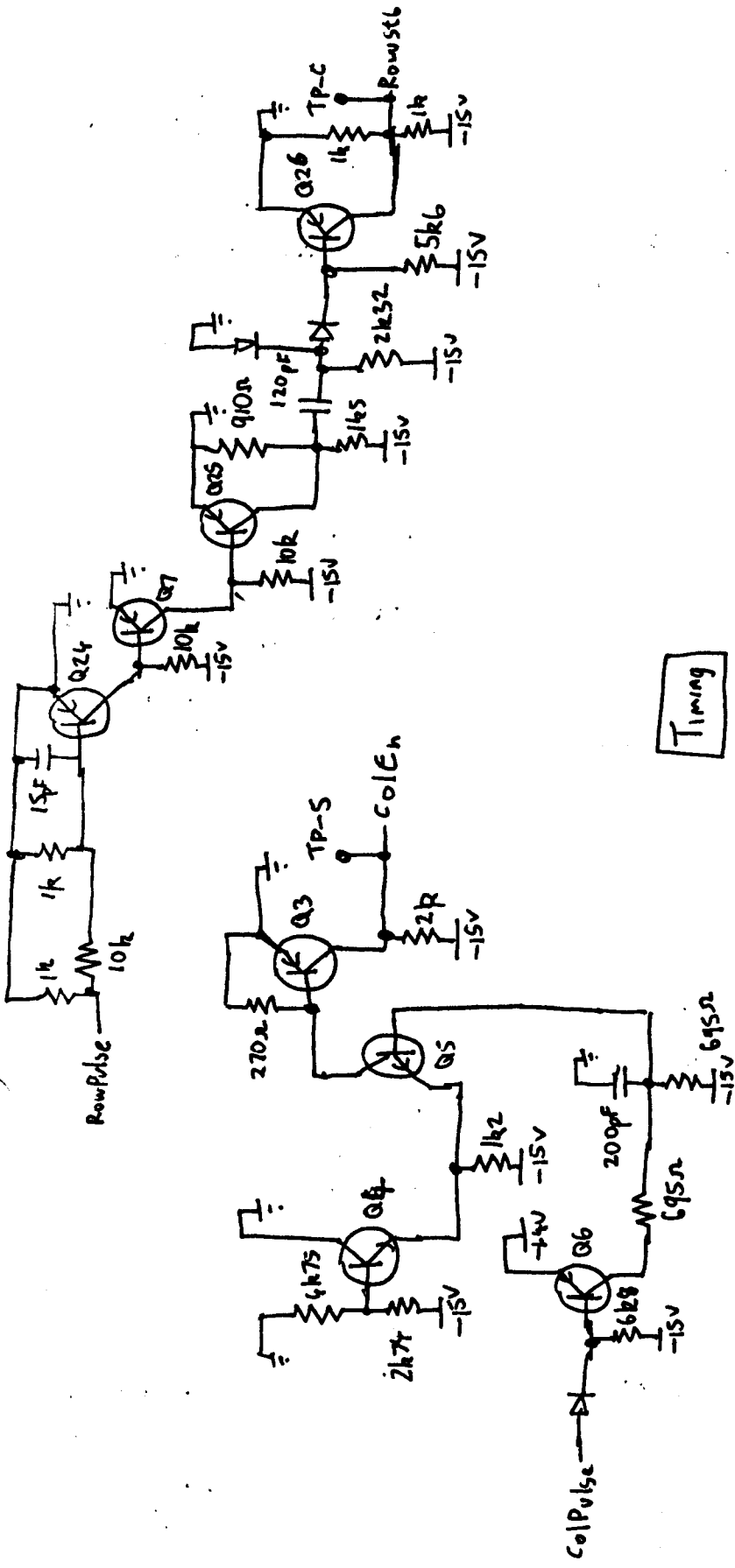
Column Decoder 0,11

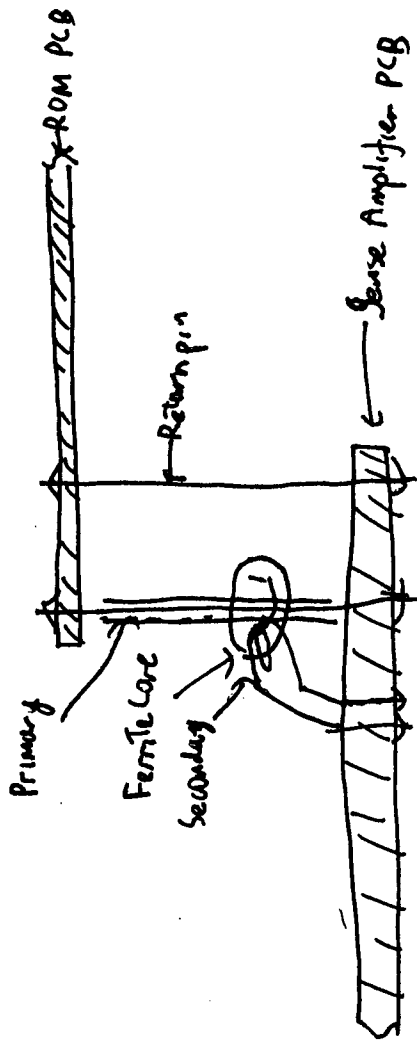


Column Decoder 2, 3

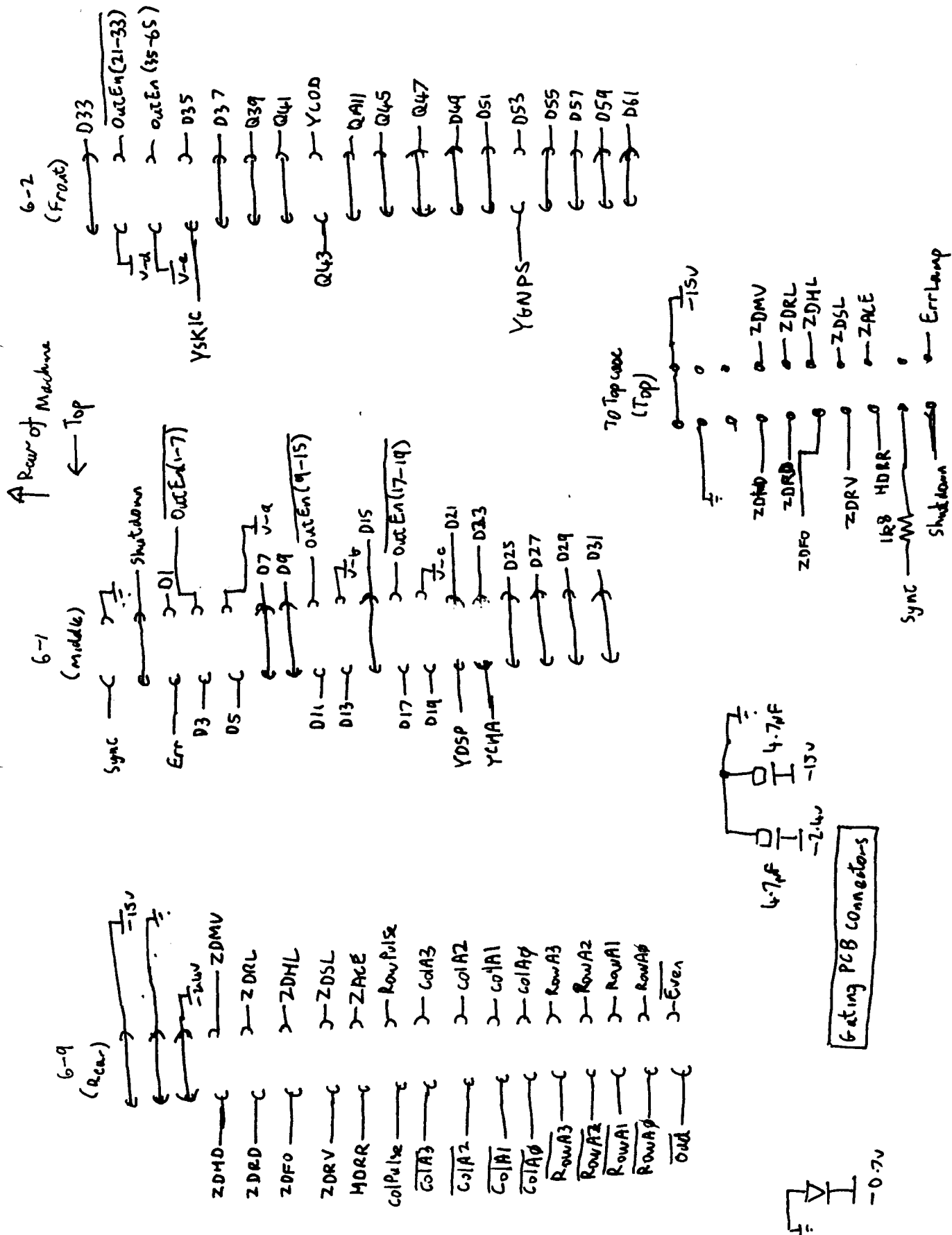


Column Decoder High Bits

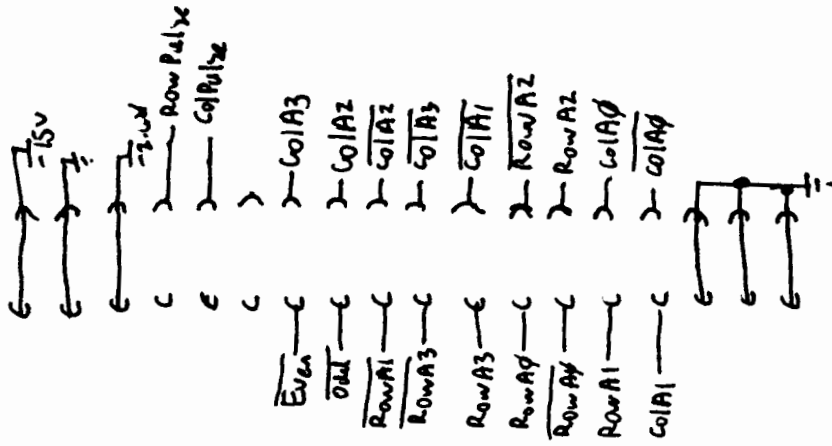




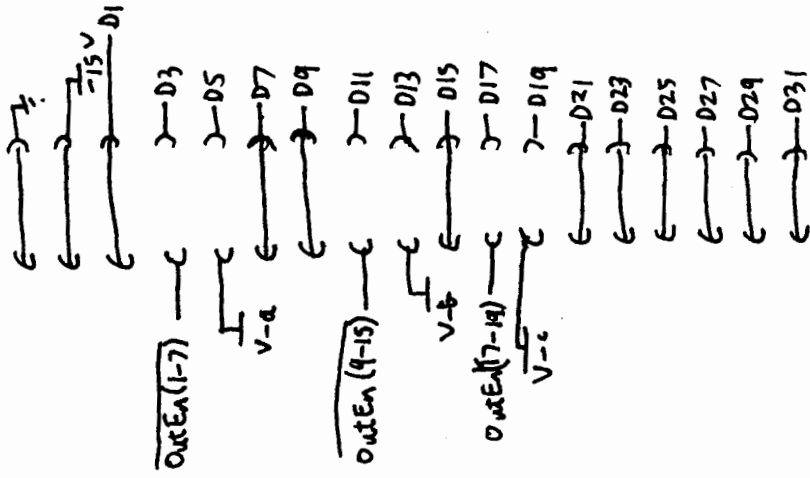
HP 9100B ROM Data Pulse Transformer



(Address)
12-1

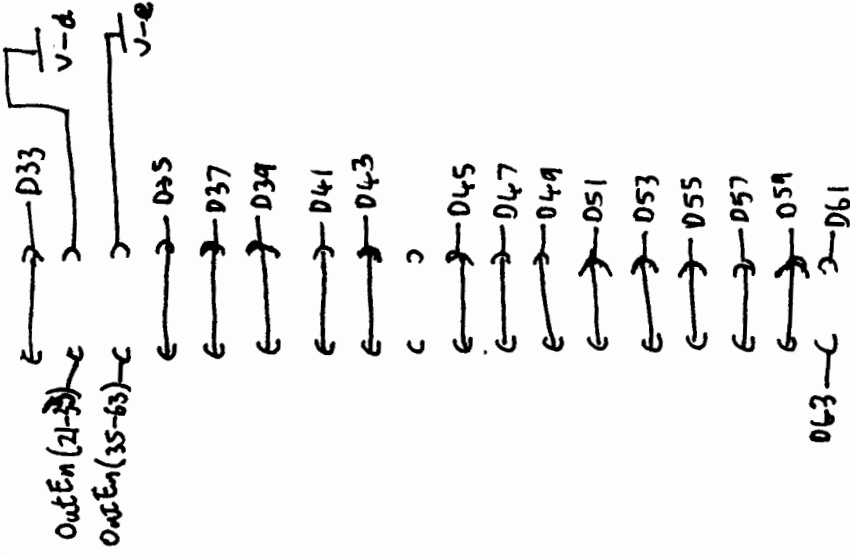


(Odd Sense Rear)
13-1

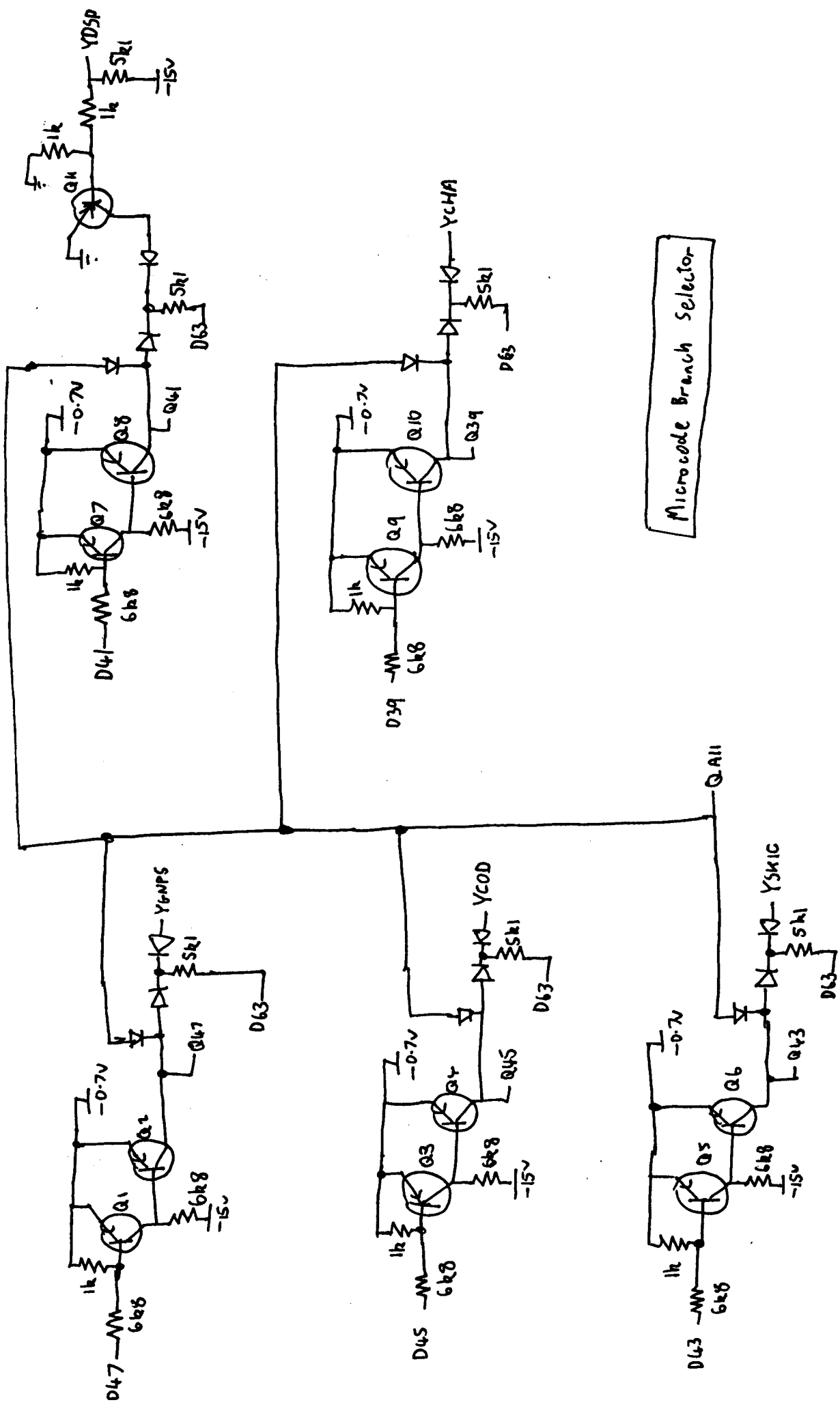


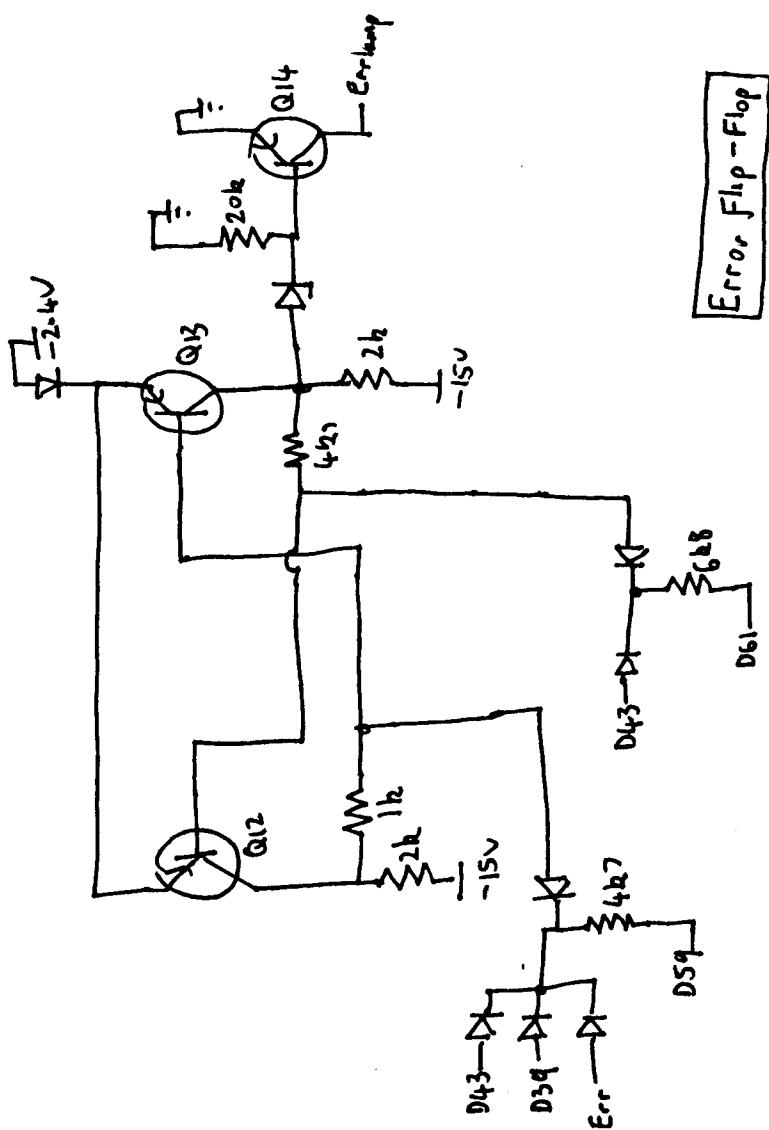
(Odd Sense Front)
13-2

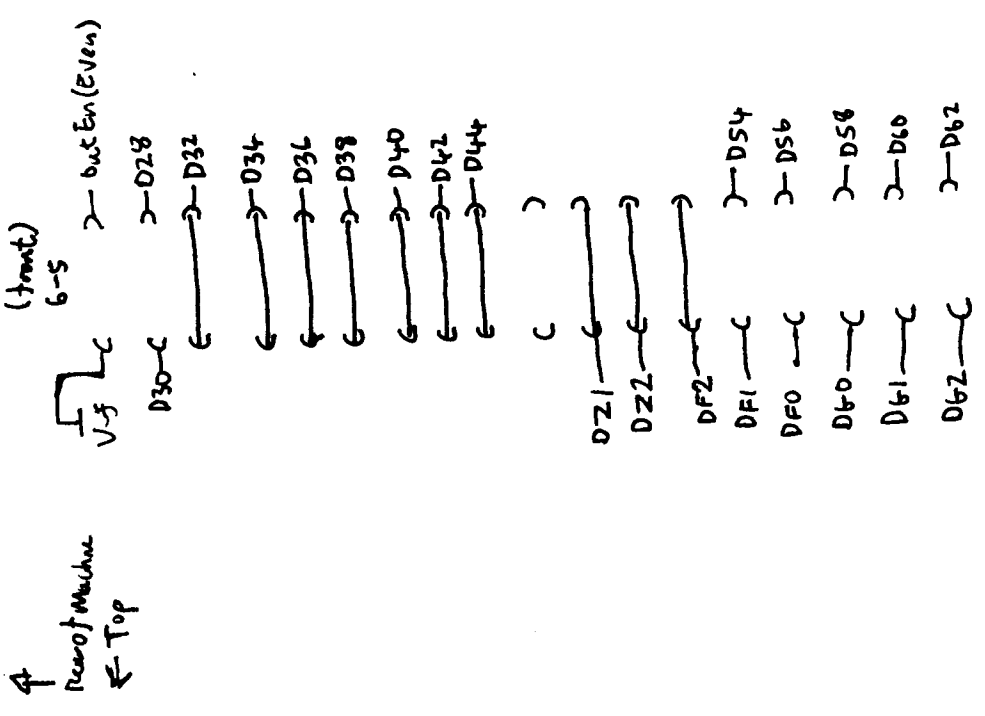
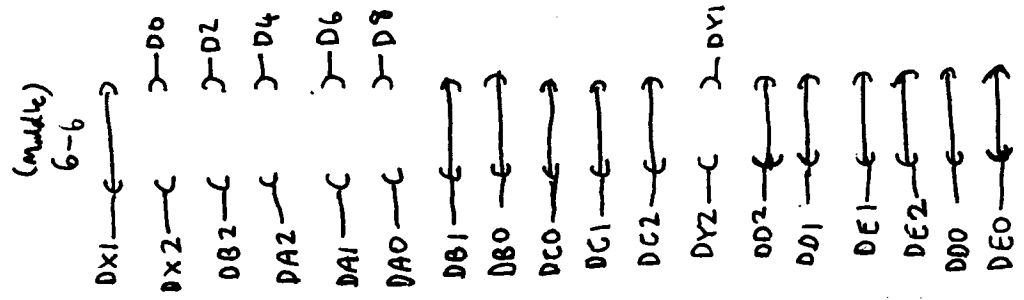
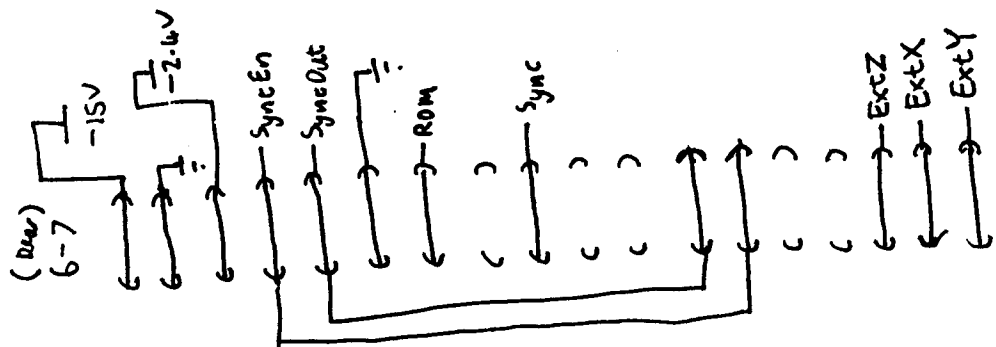
Rear of Machine
← Top



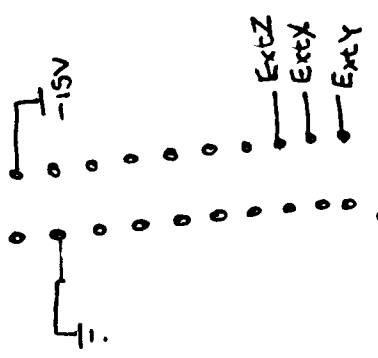
ROM Connectors



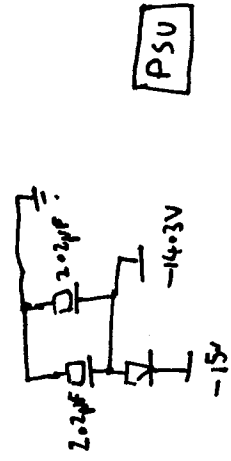
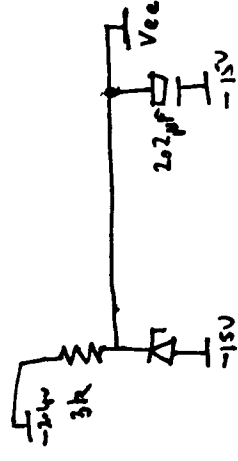
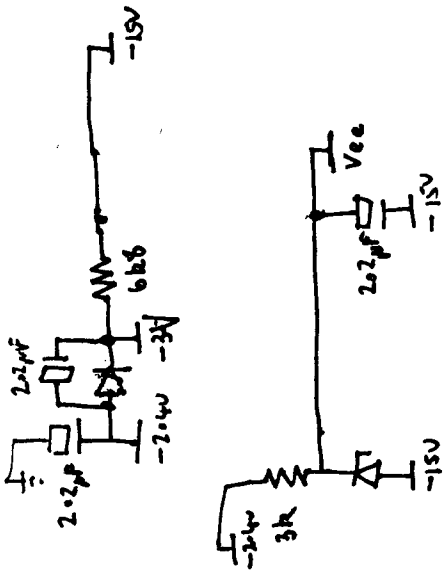
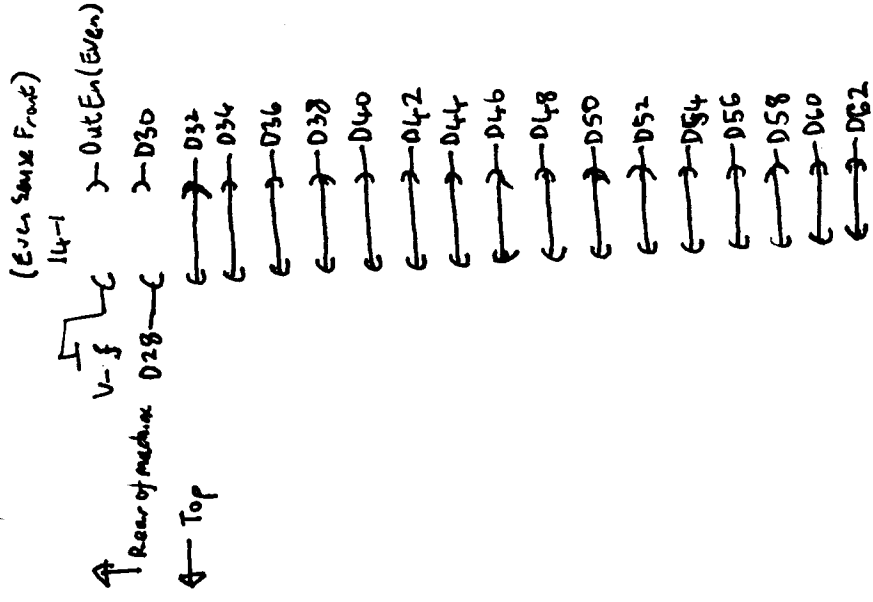
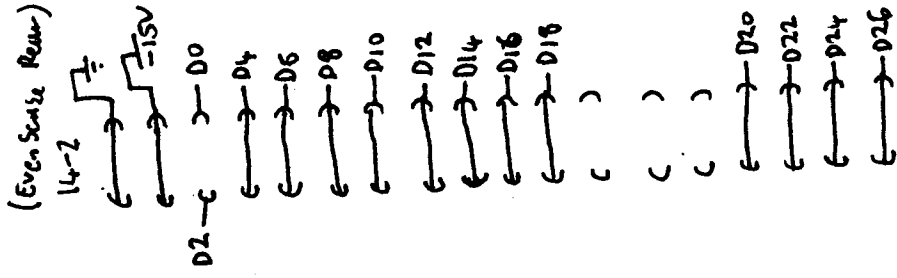




(Ext Display Option)

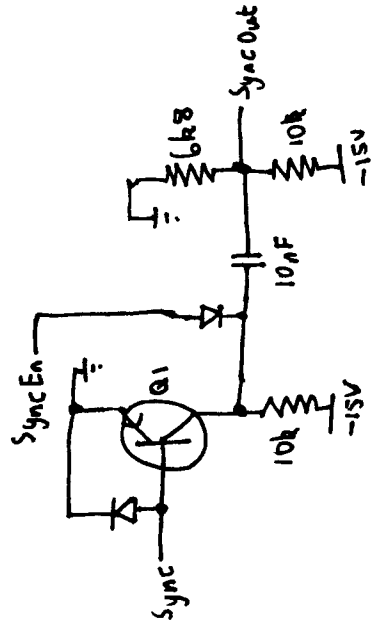


Getting PCB Connectors



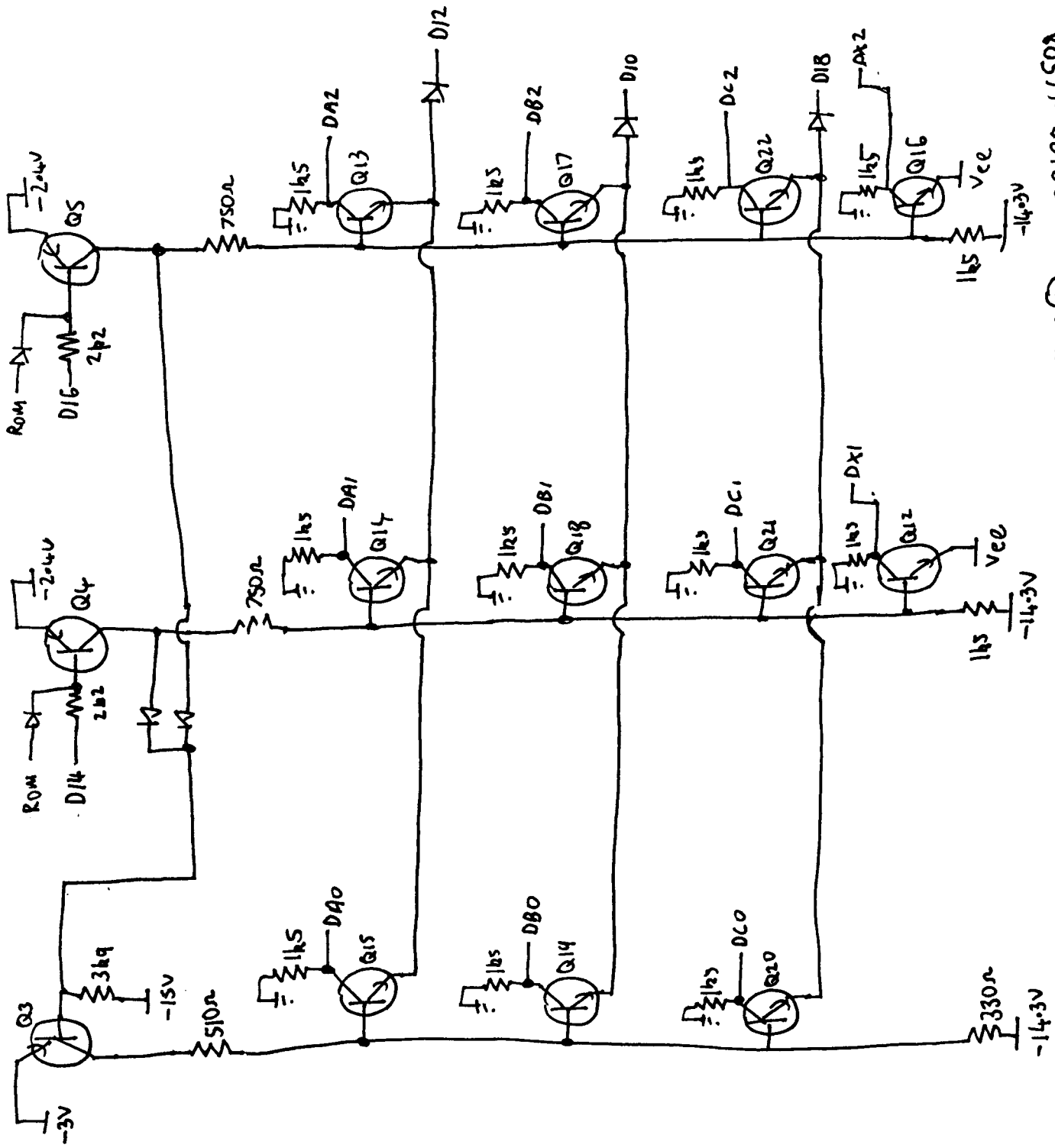
PSU

RDM Connectors

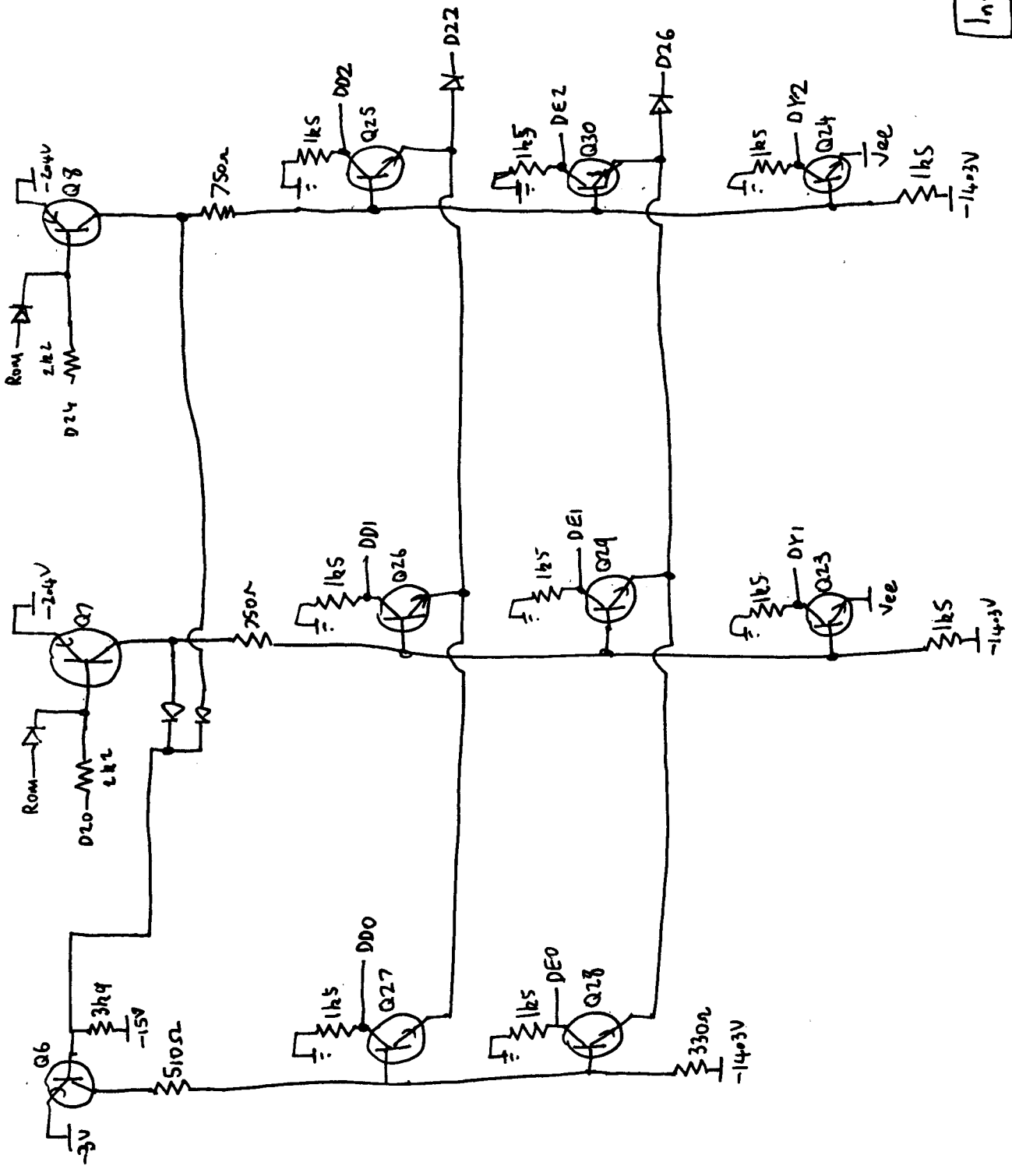


Mains Sync

09100-66509



Instruction Decoder 1



Instruction Decoder 2

