

HP 55 Keyboard - Logic Connections

LHS of machine

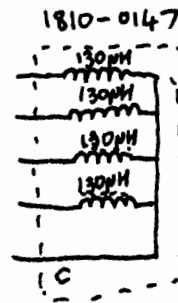
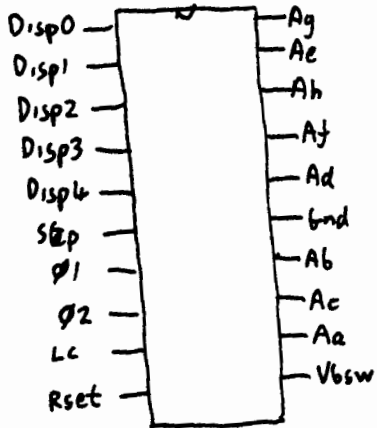


- Disp 0
- Disp 1
-
- KC1
- Disp 2
- Disp 3
- Disp 4
- $\phi 1$
- $\phi 2$
- KC2
- V_{BSW}
- V_{CC}
- Gnd
- $\overline{\text{Timer}}$
- $\overline{\text{P6M}}$
- RCD
- KC3
- KR1
- KR2
- KR3
- KC5
- KR4
- KC4
- KR5
- KR6
- KR7
-
- KR8

HP55 Keyboard / Display

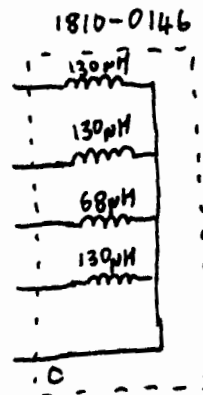
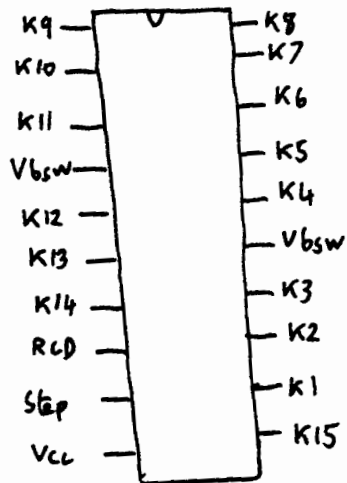
Anode Driver

1820-1029

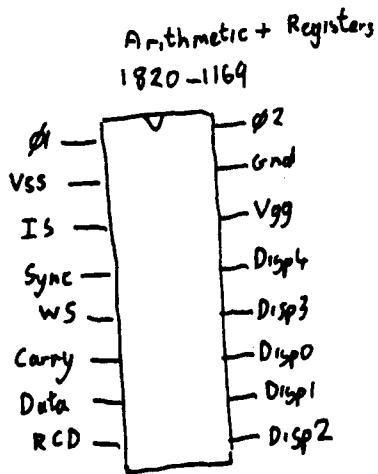
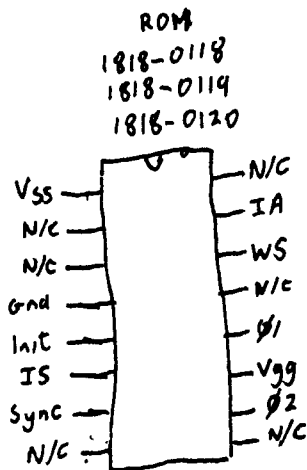
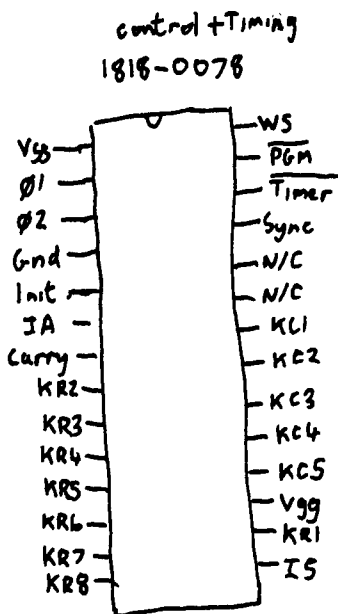
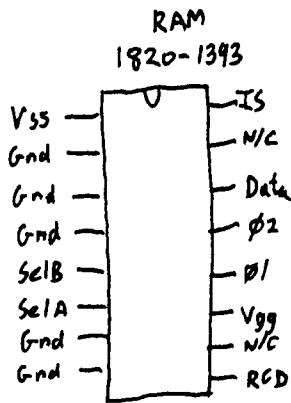
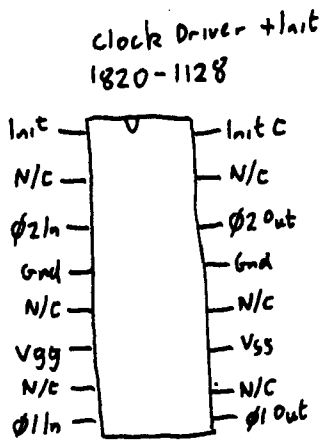


Cathode Driver

1820-1226

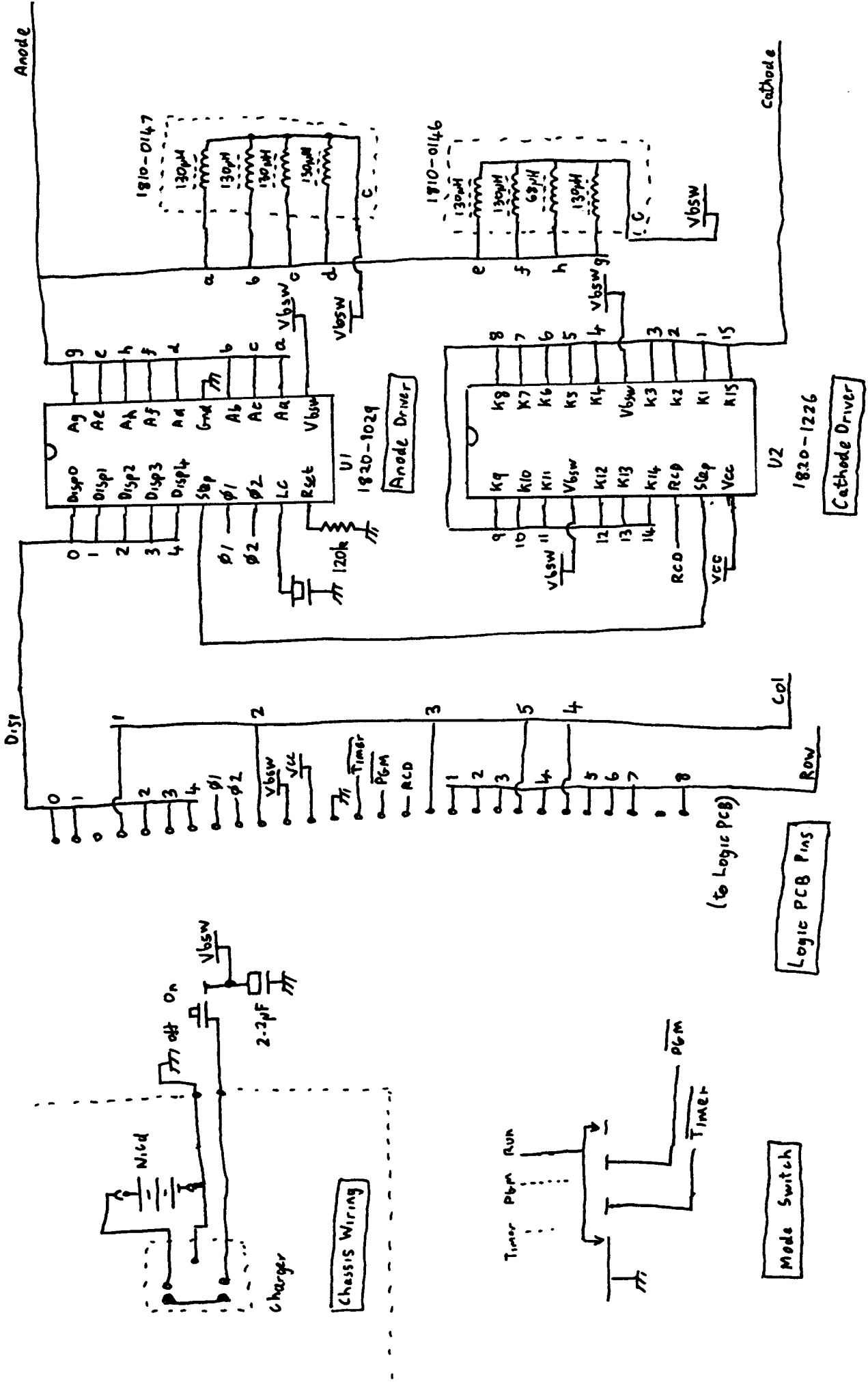


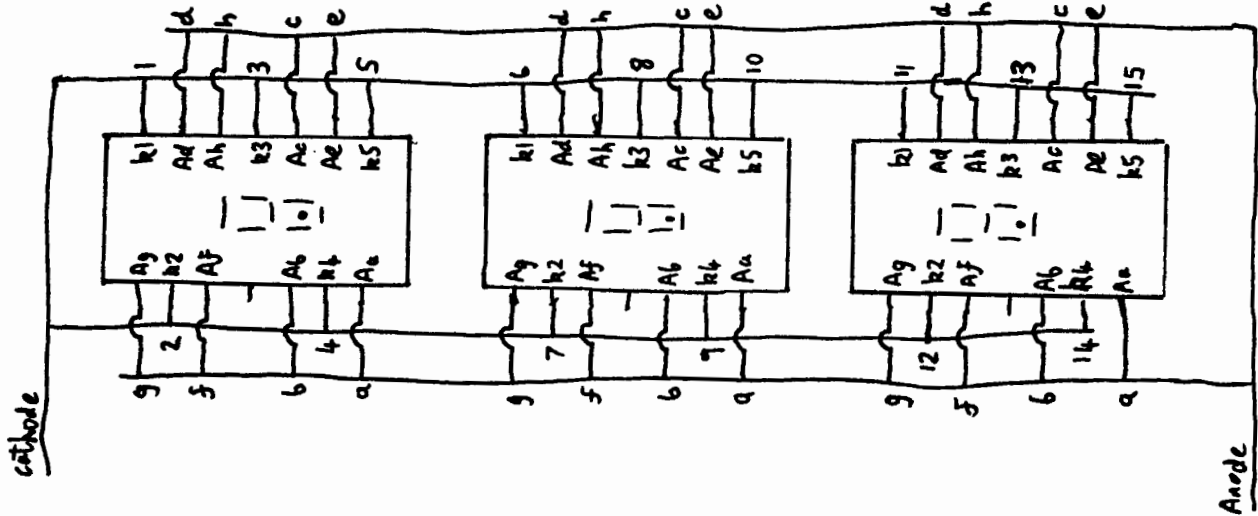
HP 55 Logic



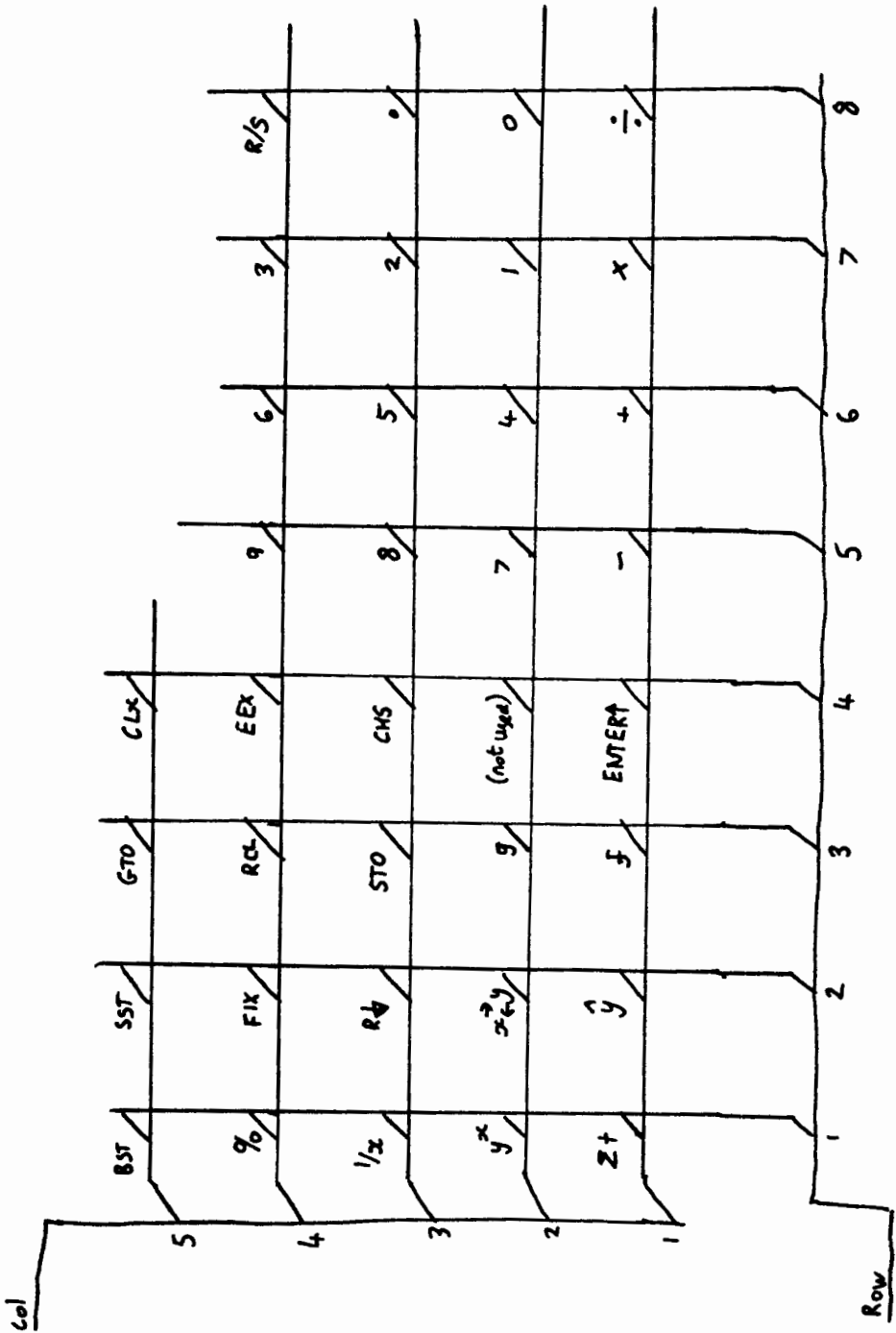
Test Points

- Top
↑
- o Vss
 - o Gnd
 - o phi1
 - o phi2
 - o Vgg
 - o IS
 - o IA
 - o Sync
 - o WS
 - o Init
 - o Carry
 - o Data

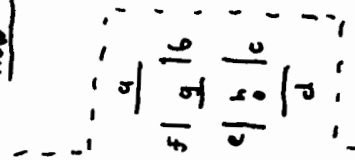
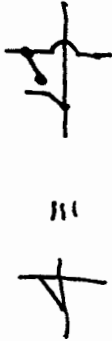


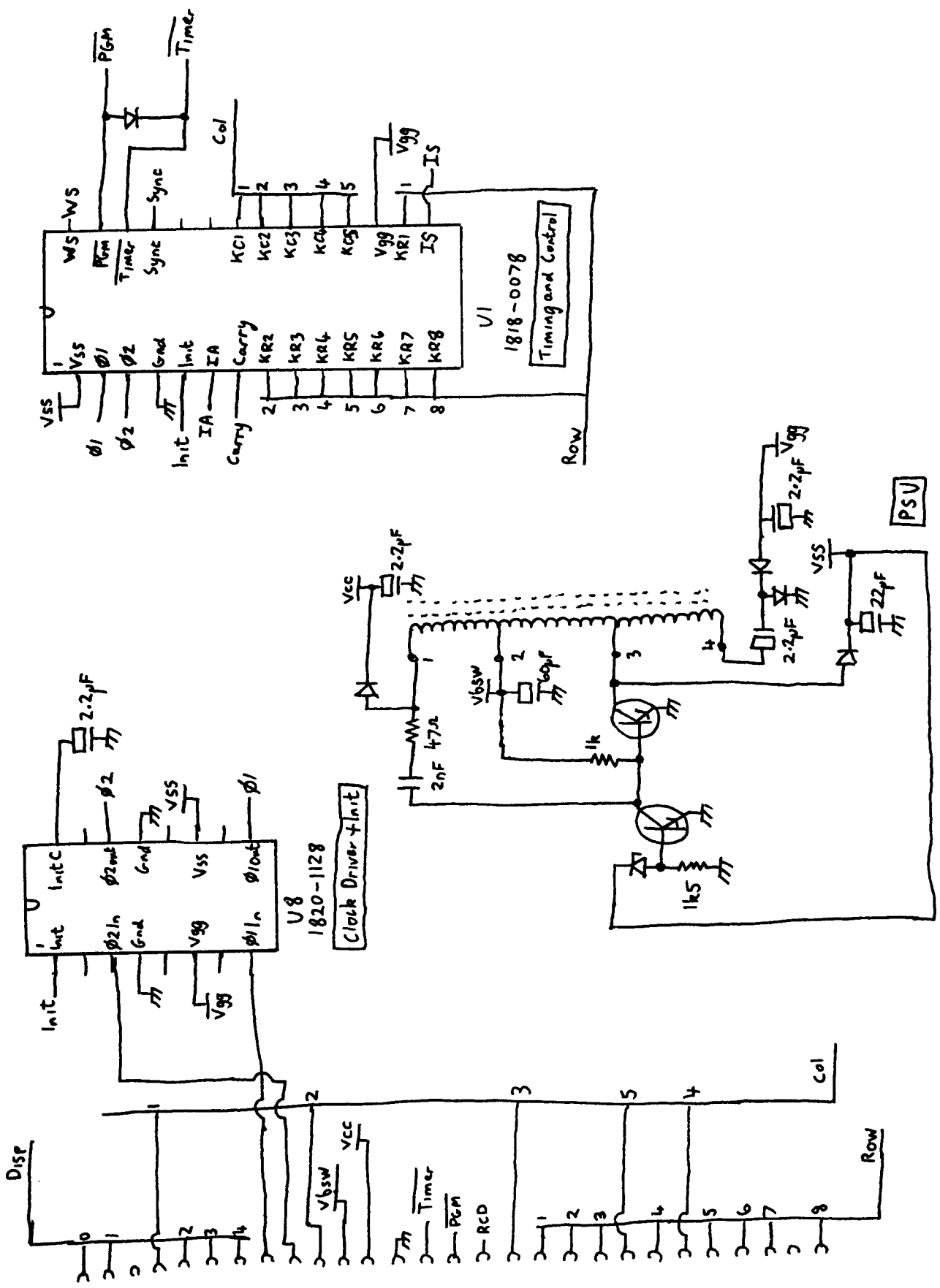


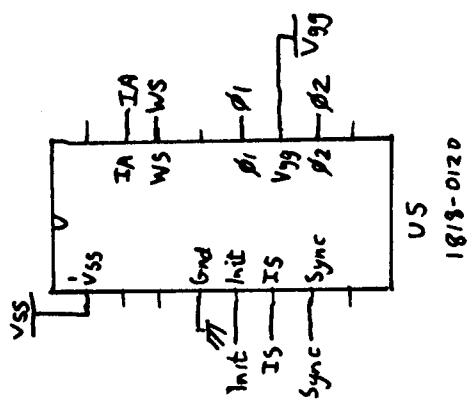
Display



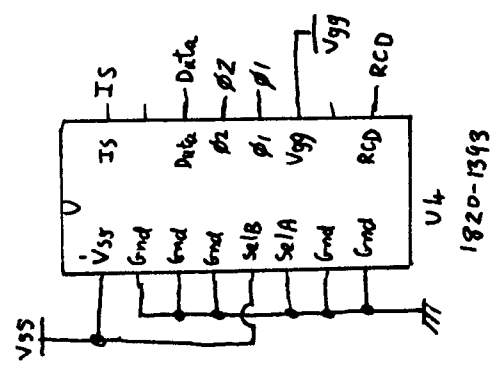
Keyboard



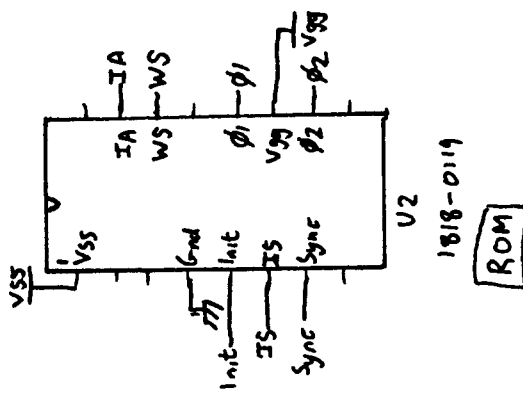




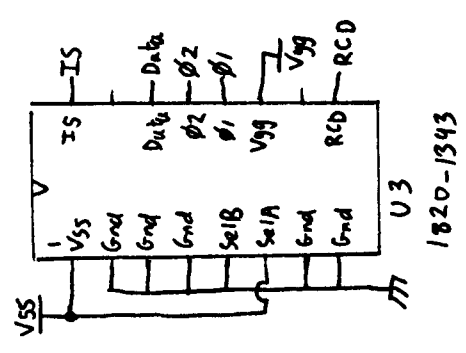
U5
1818-0120



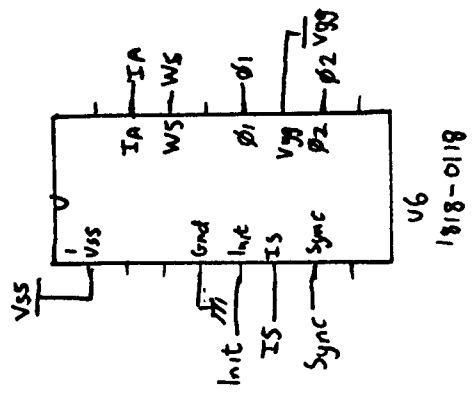
U4
1820-1343



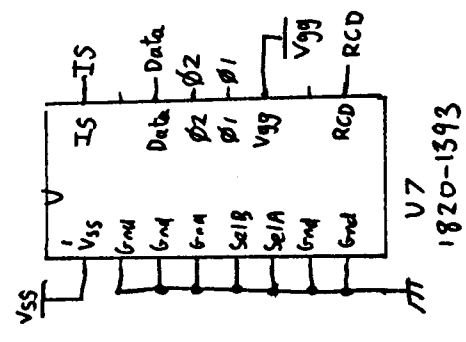
U2
1818-0119
ROM



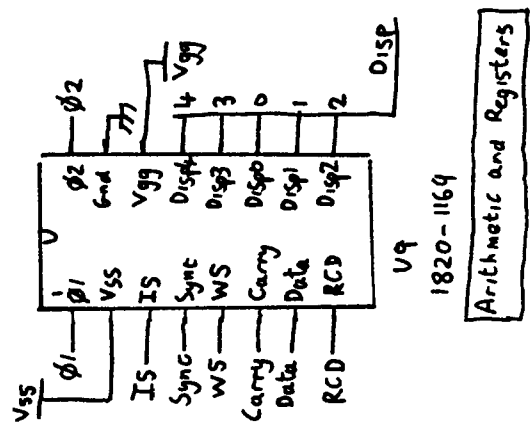
U3
1820-1343
RAM



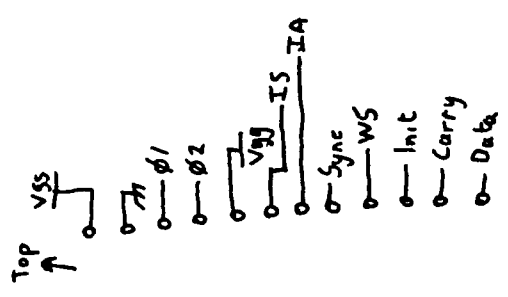
U6
1818-0118



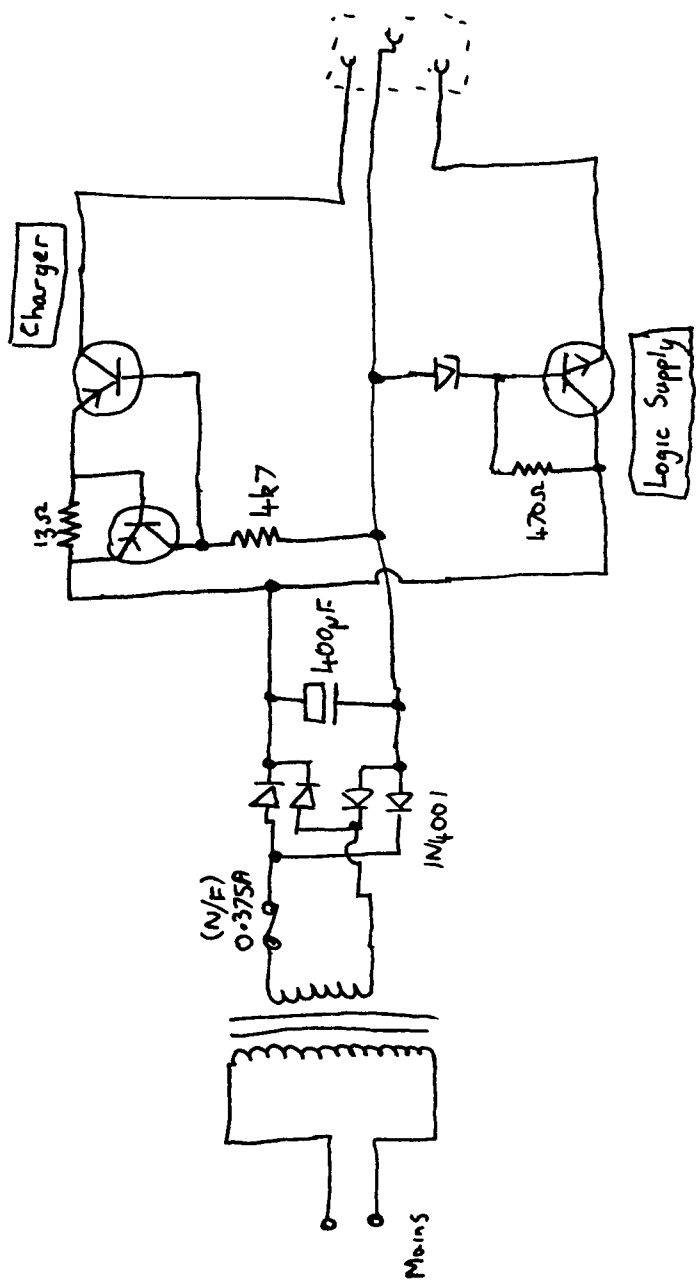
U7
1820-1343



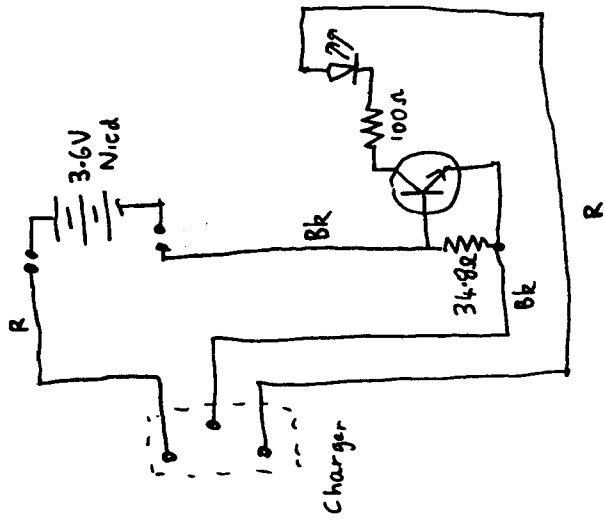
U9
1820-1164
Arithmetic and Registers



Test Points



82011A Charger



'Classic Series' Reserve Power Pack