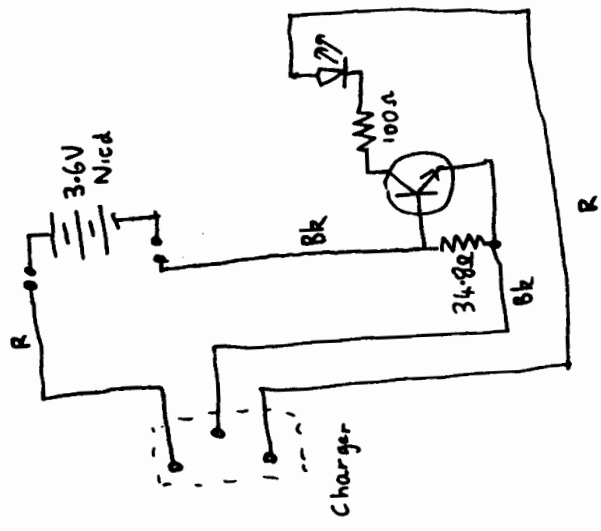
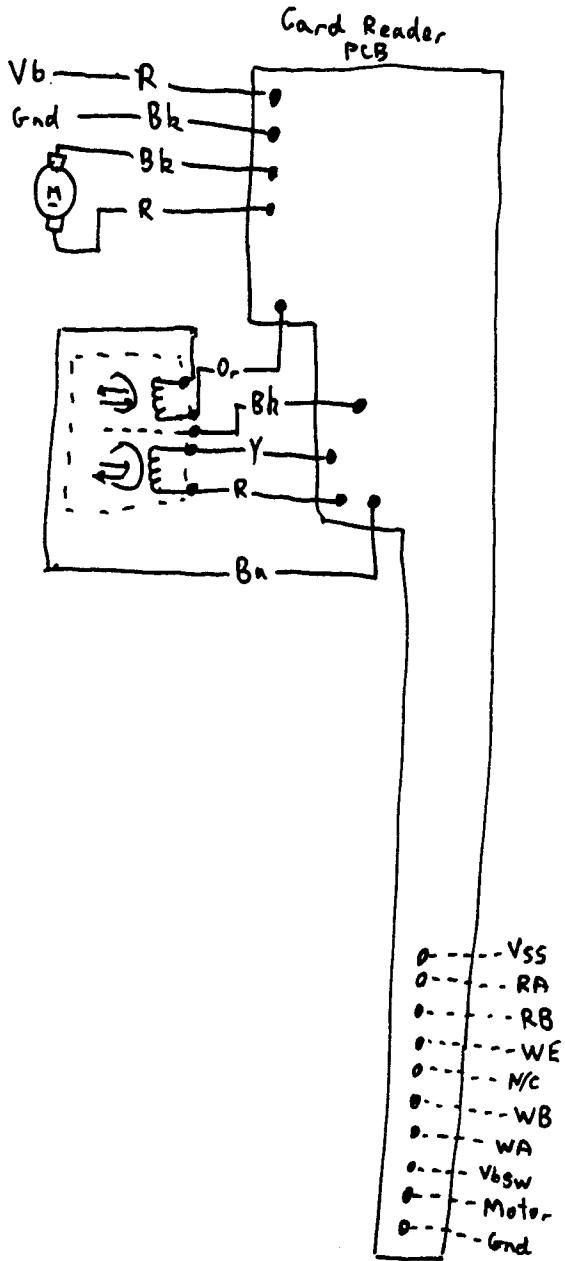


82011A Charger



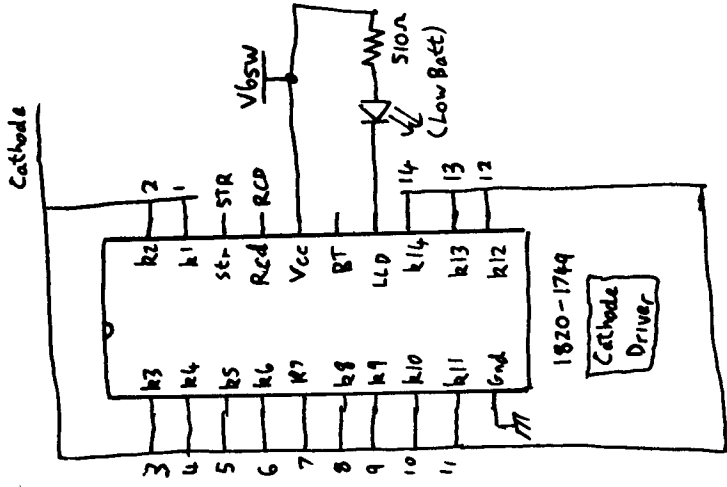
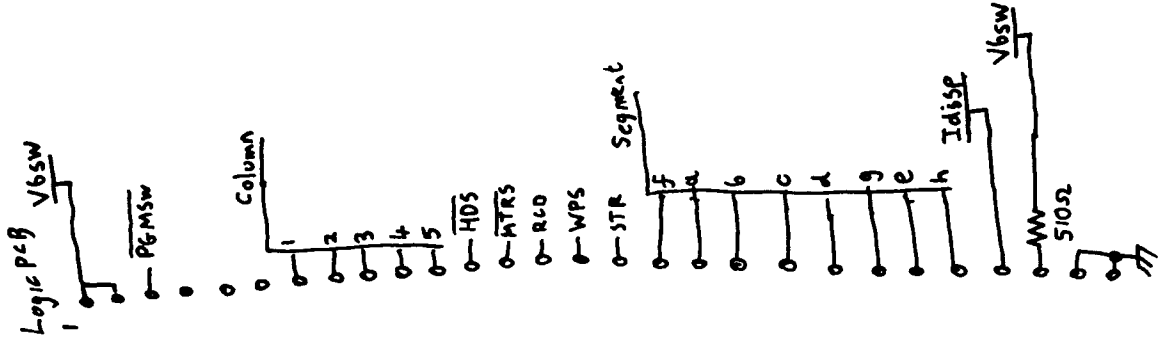
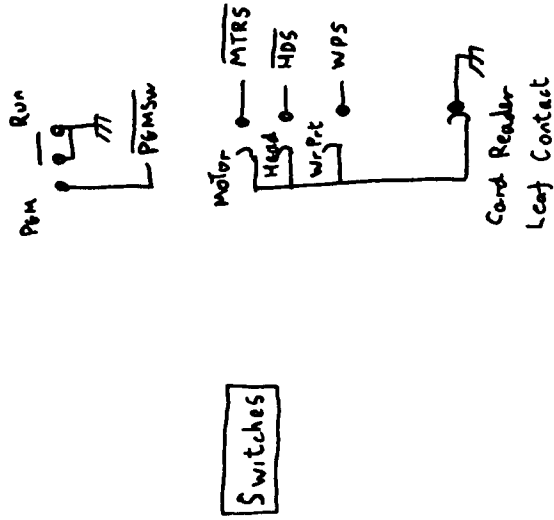
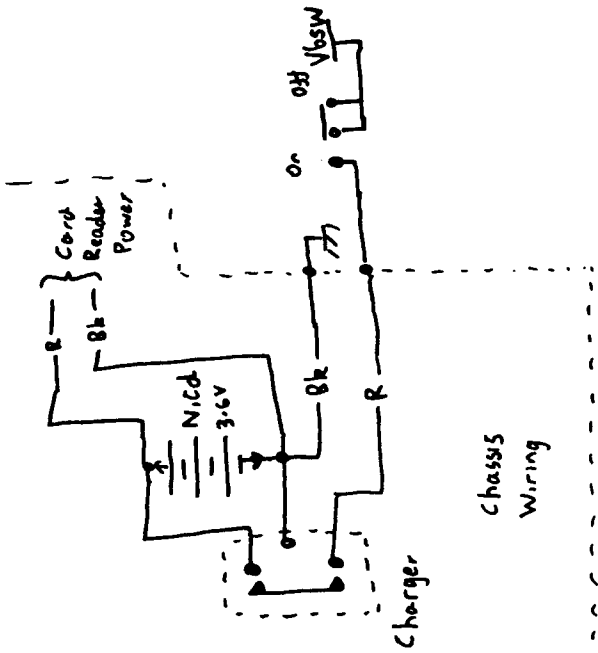
'Classic Series' Reserve Power Pack

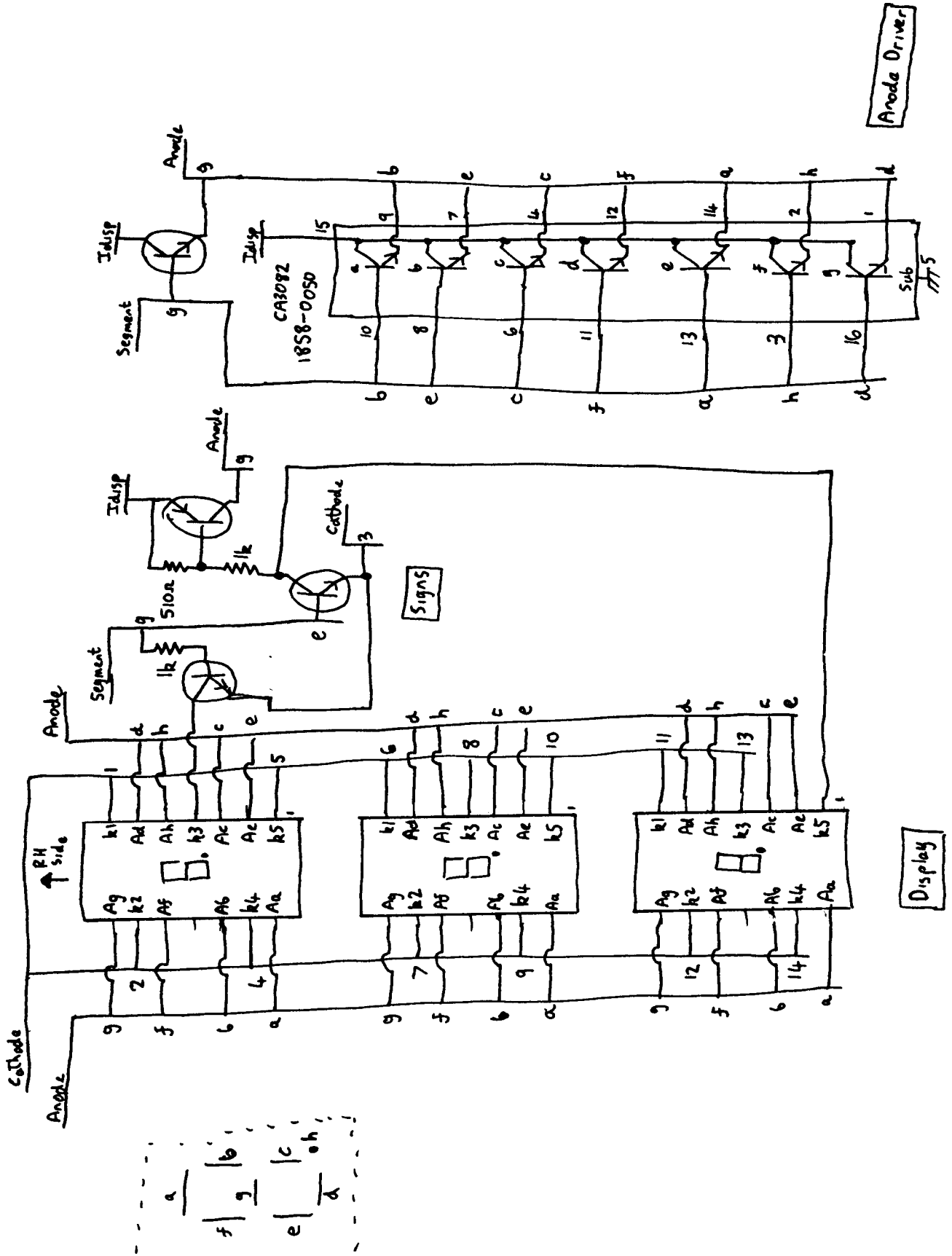


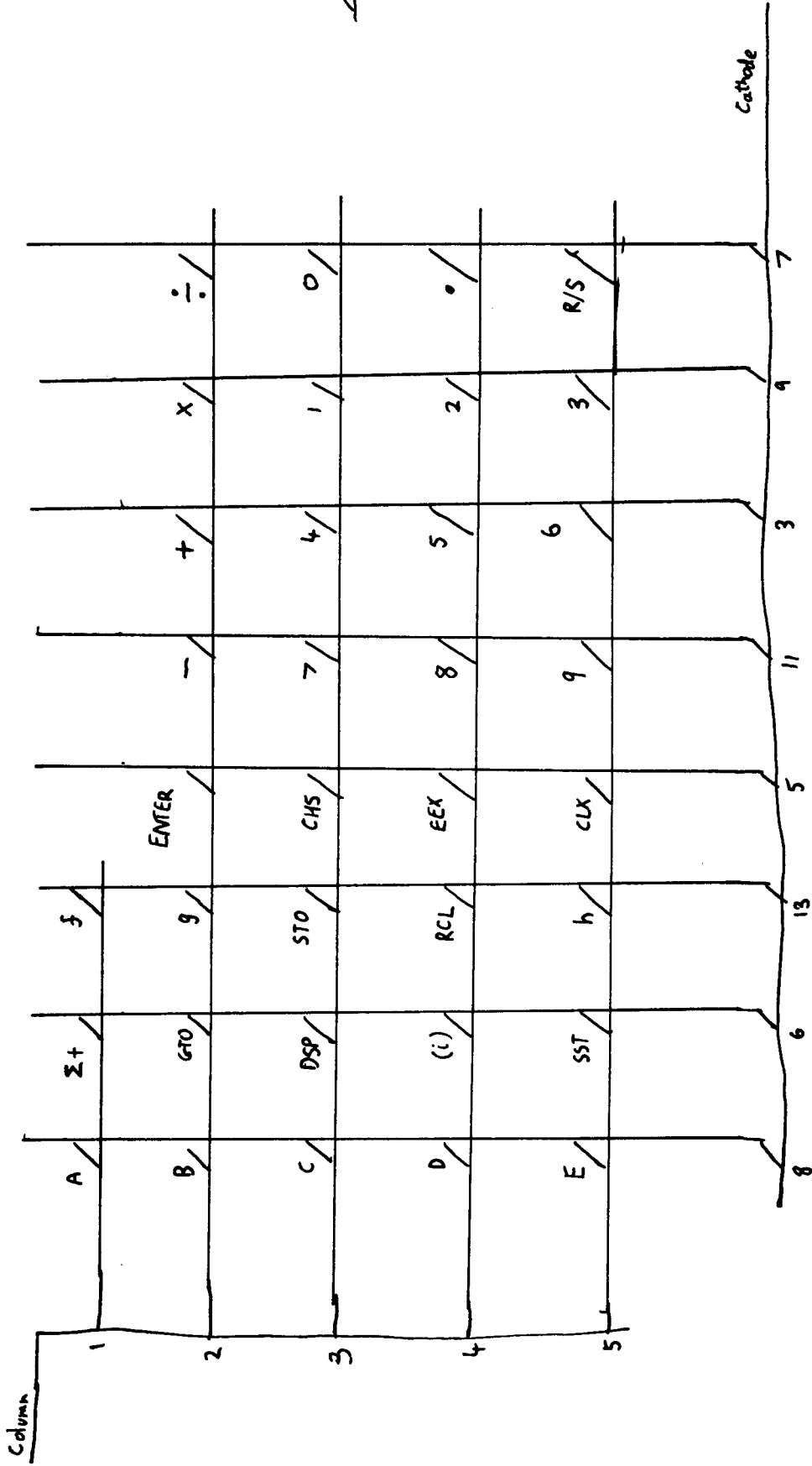
Keyboard/Display
to Logic PCB Pins

- 1 — VbSw
- 2 — VbSw
- 3 — PGM5w
- 4 — ϕ 1
- 5 — Sync
- 6 — ISA
- 7 — KCl
- 8 — Kc2
- 9 — Kc3
- 10 — Kc4
- 11 — Kc5
- 12 — HD5
- 13 — MTR5
- 14 — RCD
- 15 — WPS
- 16 — STR
- 17 — SF
- 18 — SA
- 19 — SB
- 20 — SC
- 21 — SD
- 22 — SE
- 23 — SH
- 24 — Idisp
- 25 — Ibias
- 26 — Gnd
- 27 — Gnd

HP67 Connections







Keyboard

