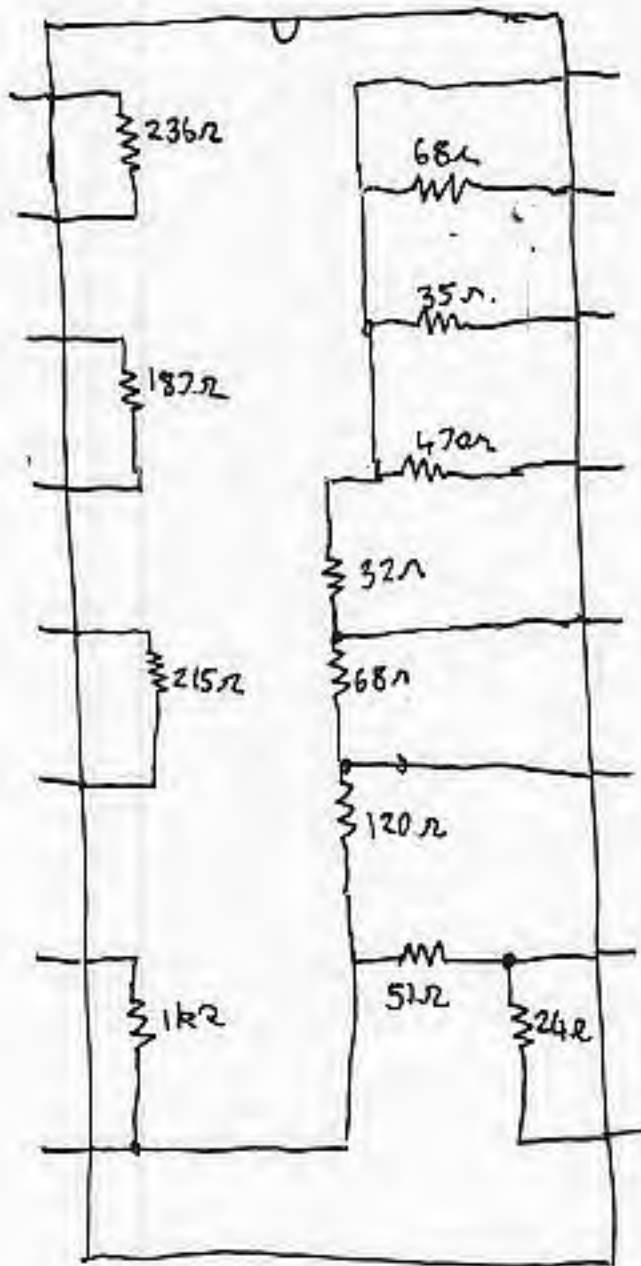
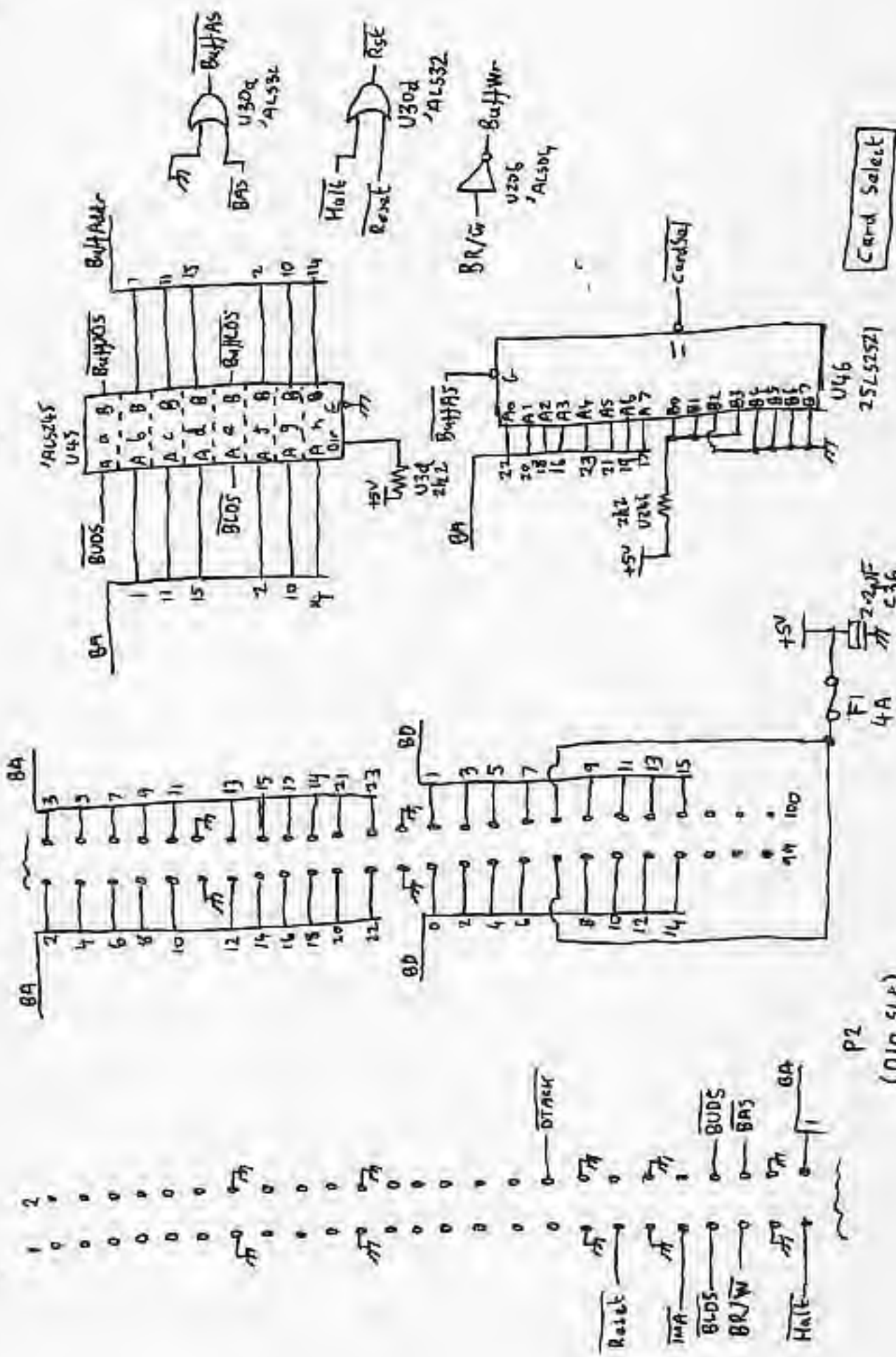


HP98204B Video PCB

U1

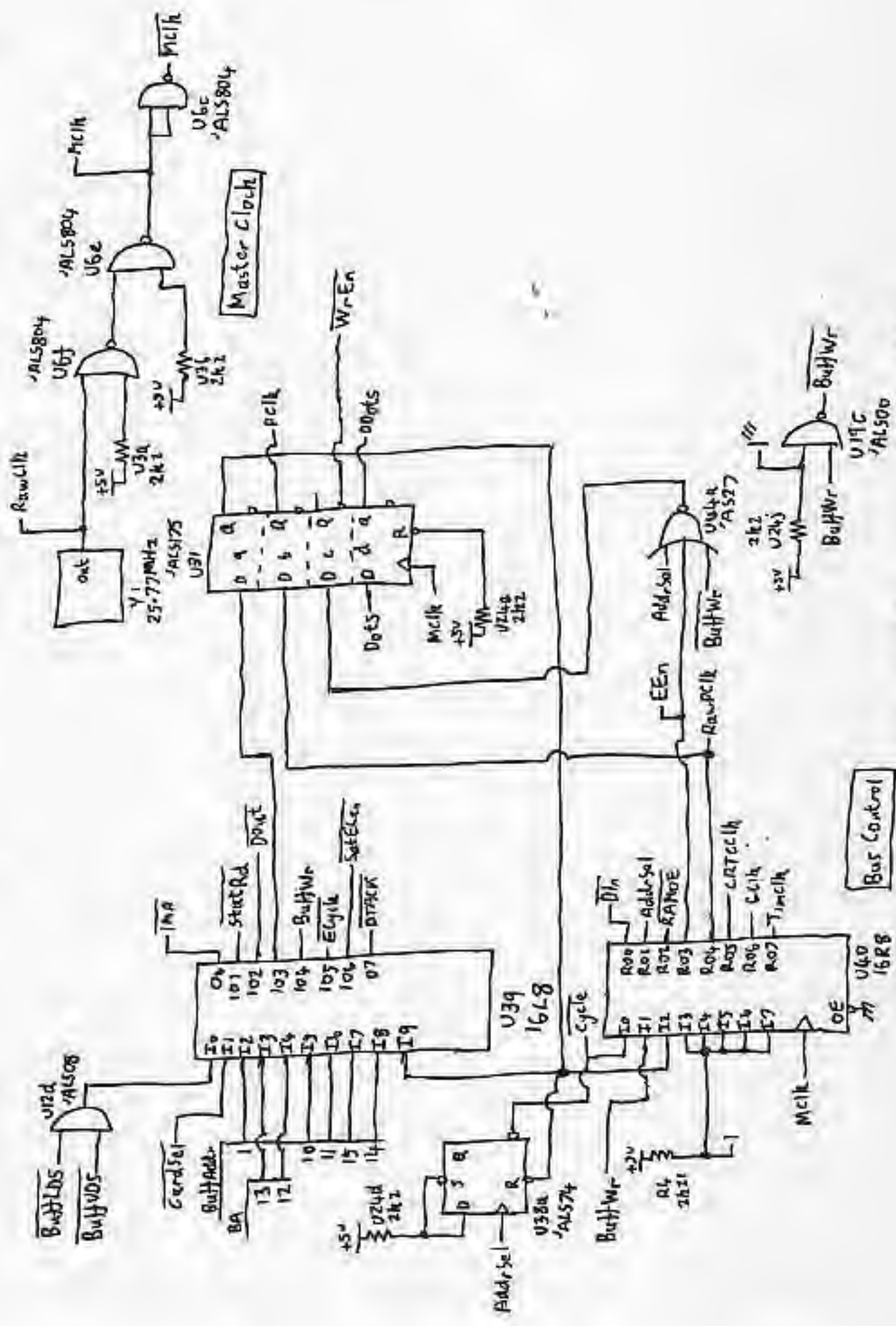


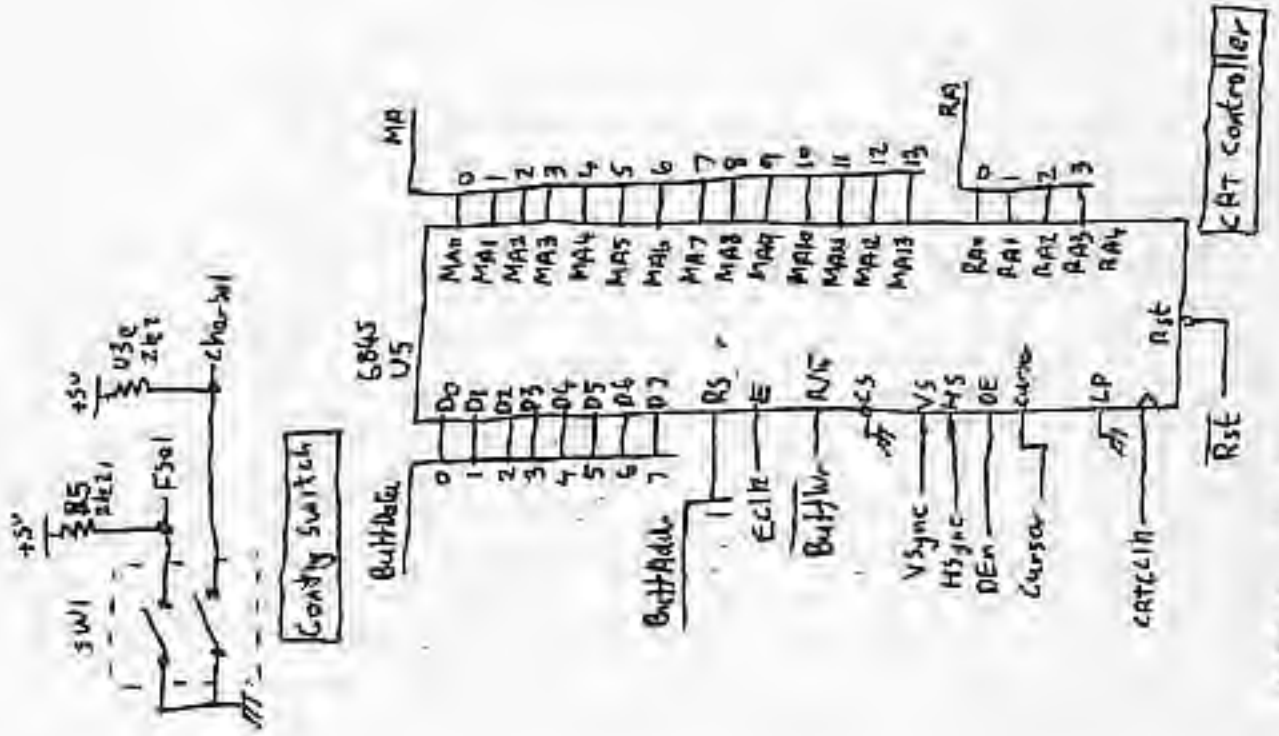
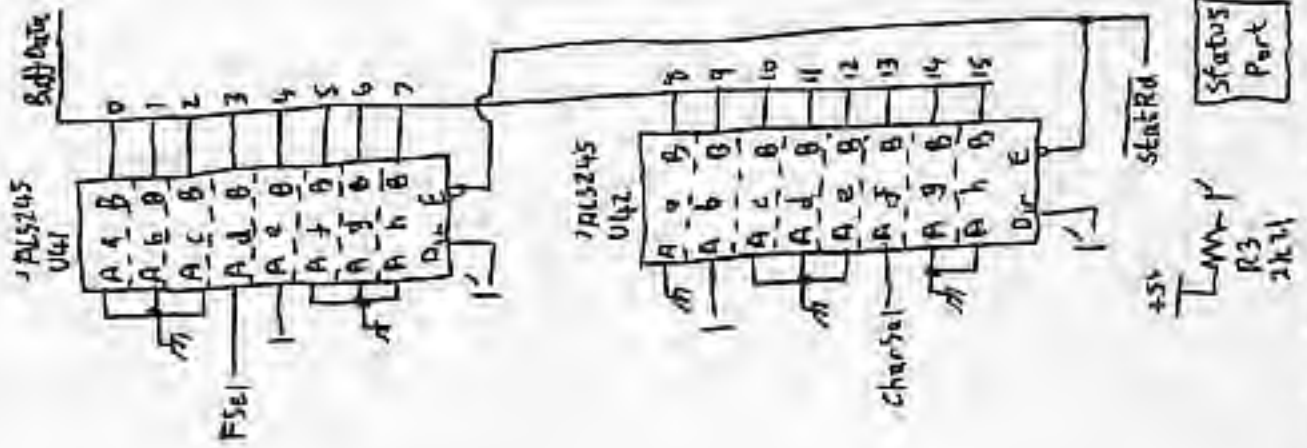
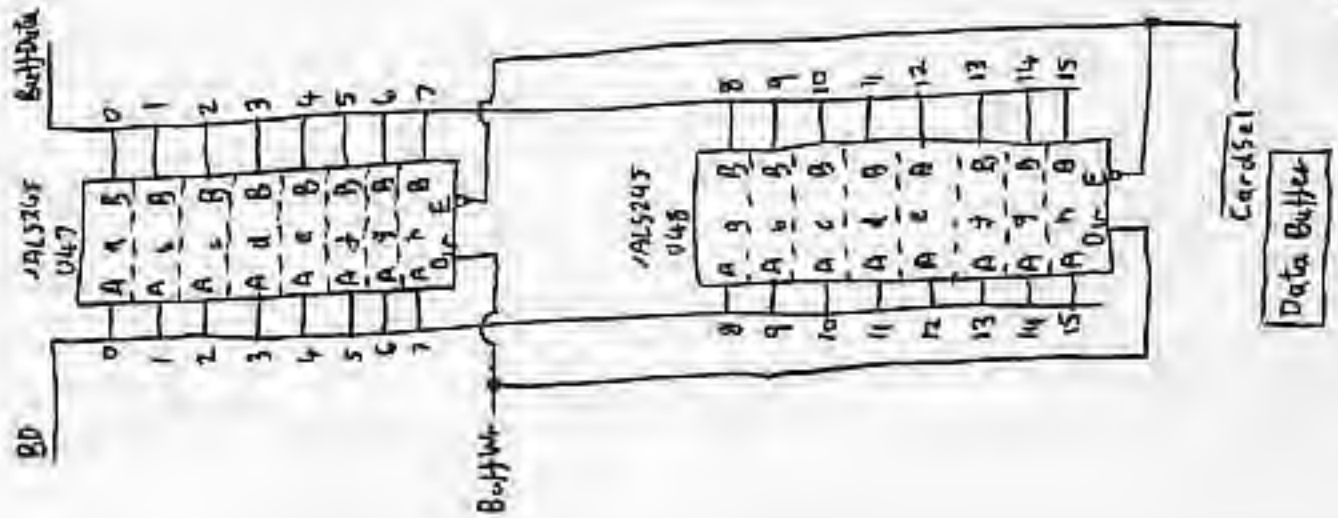


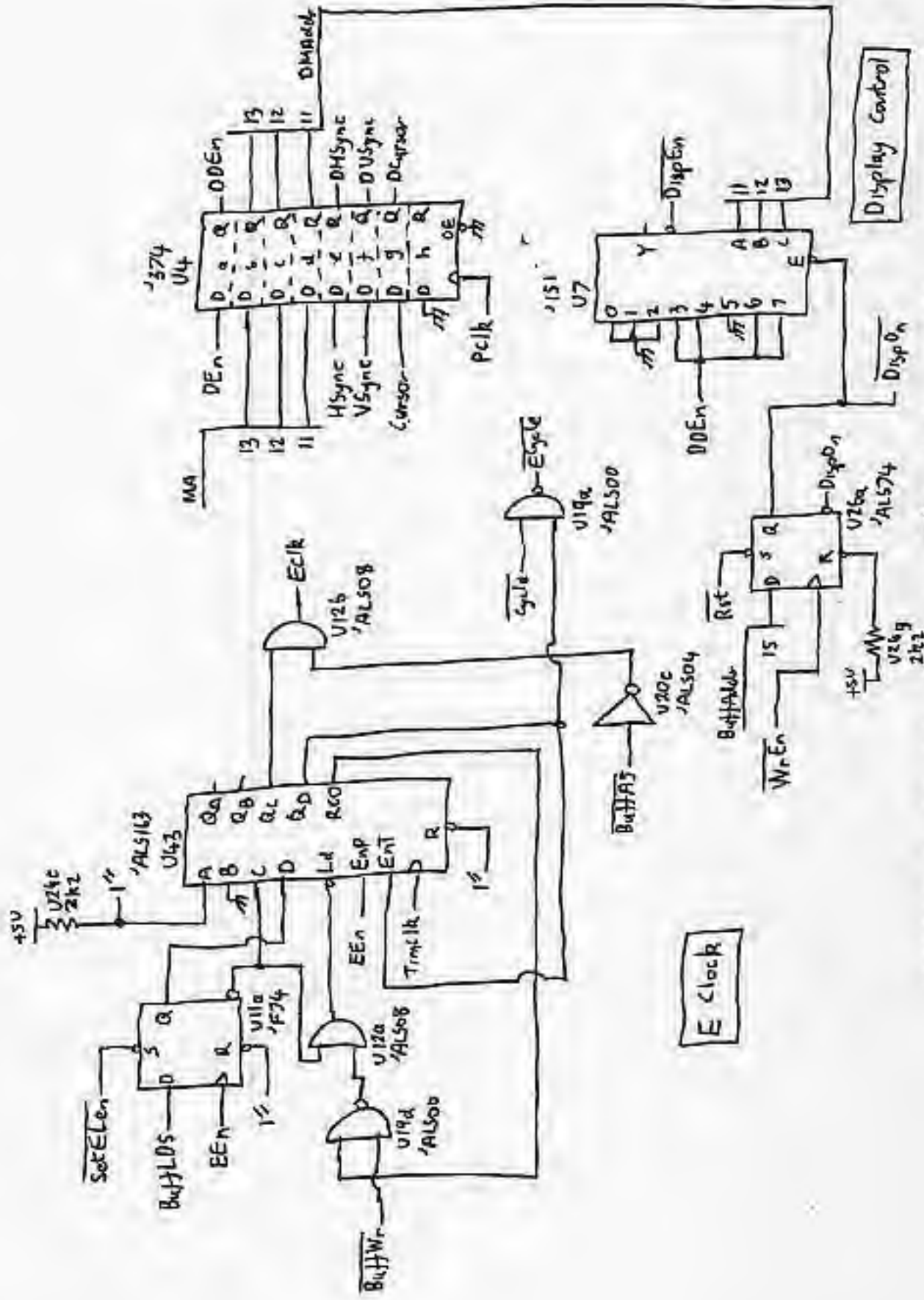
P2  
(DIO 516)

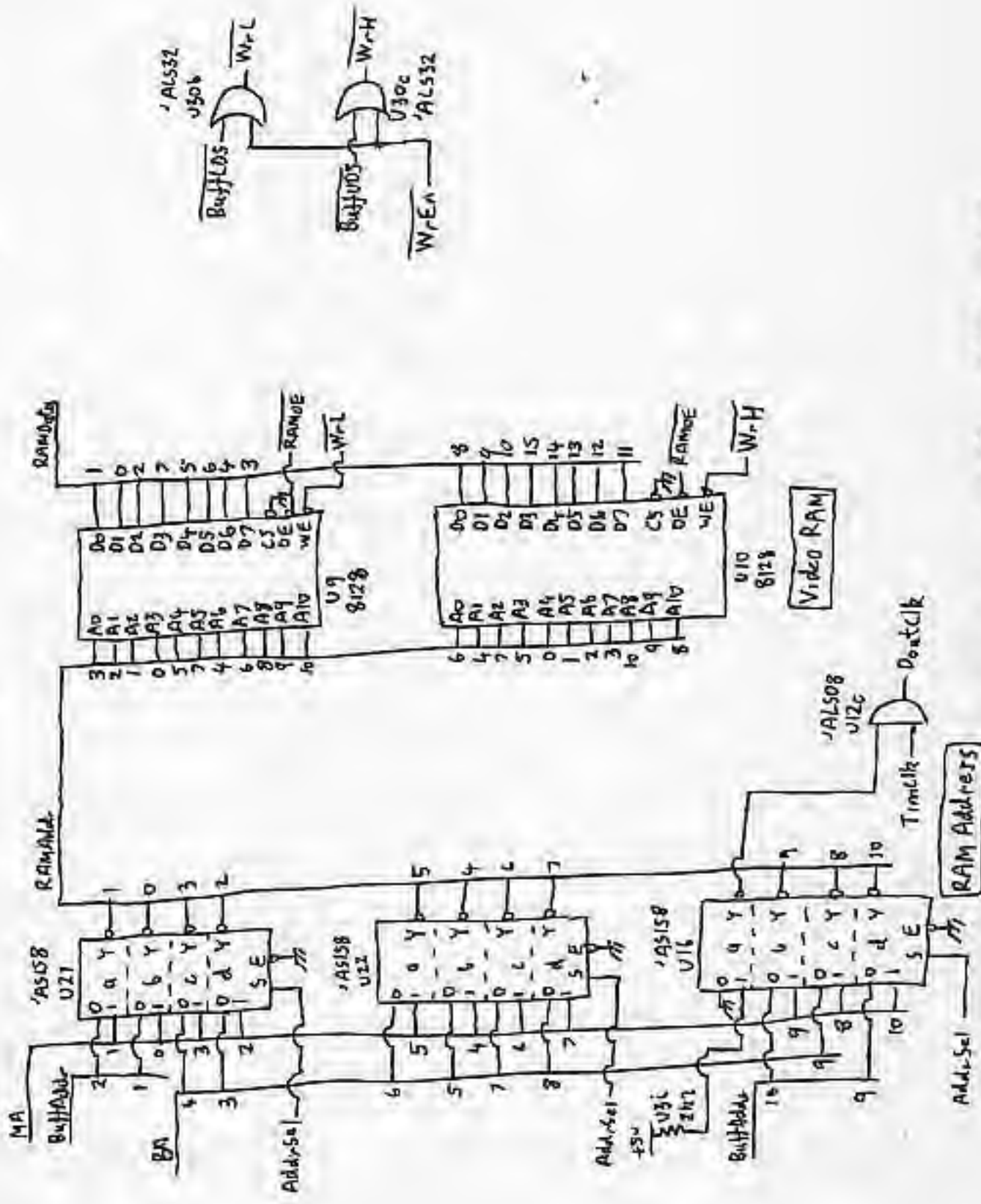
HP982040 DIO Video PCB Sheet 1

98204-66578





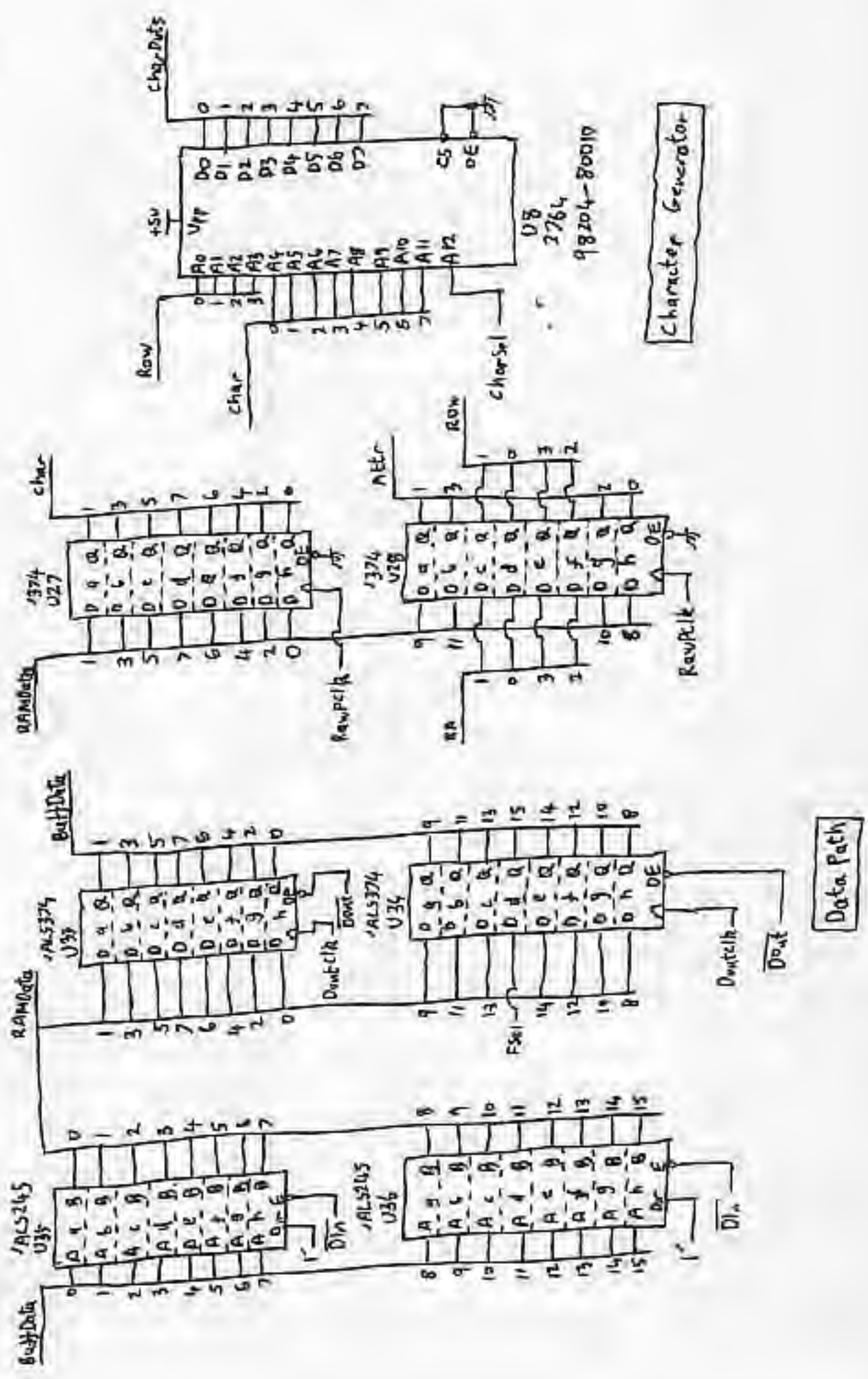


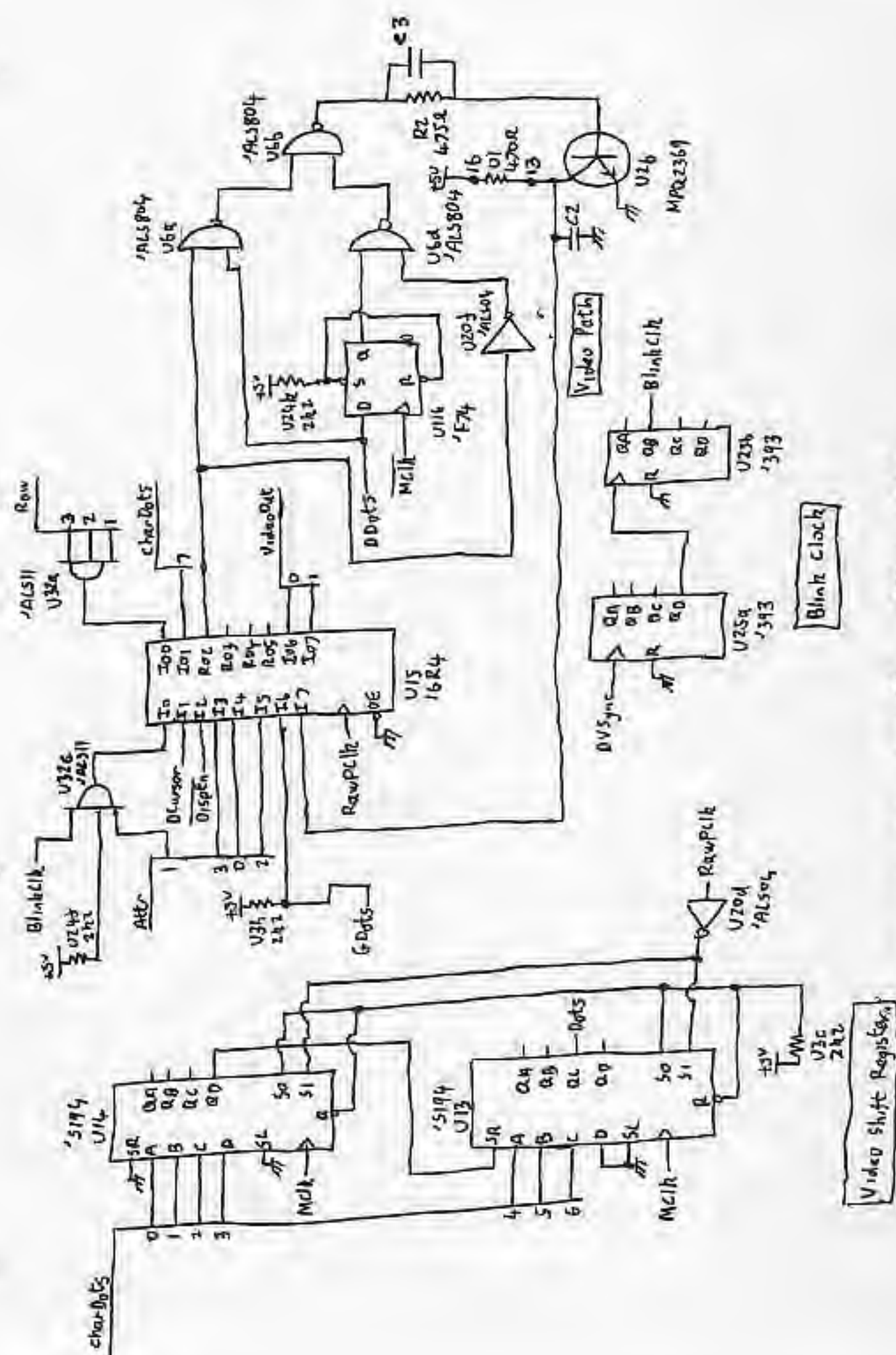


98204-66578

HP 98204B D10 Video PCB sheet (5)







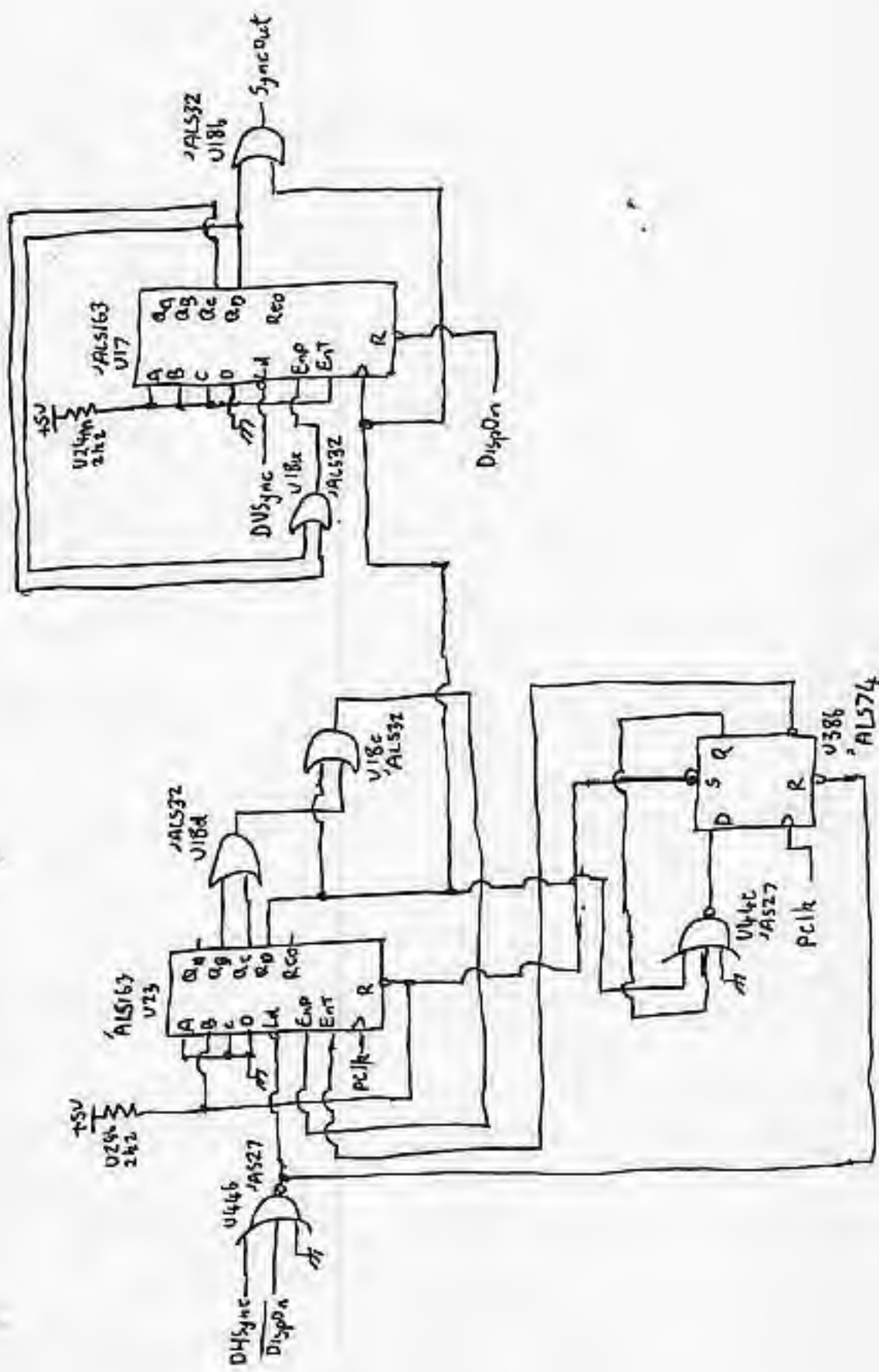
Character Shift Register

Video Shift Register

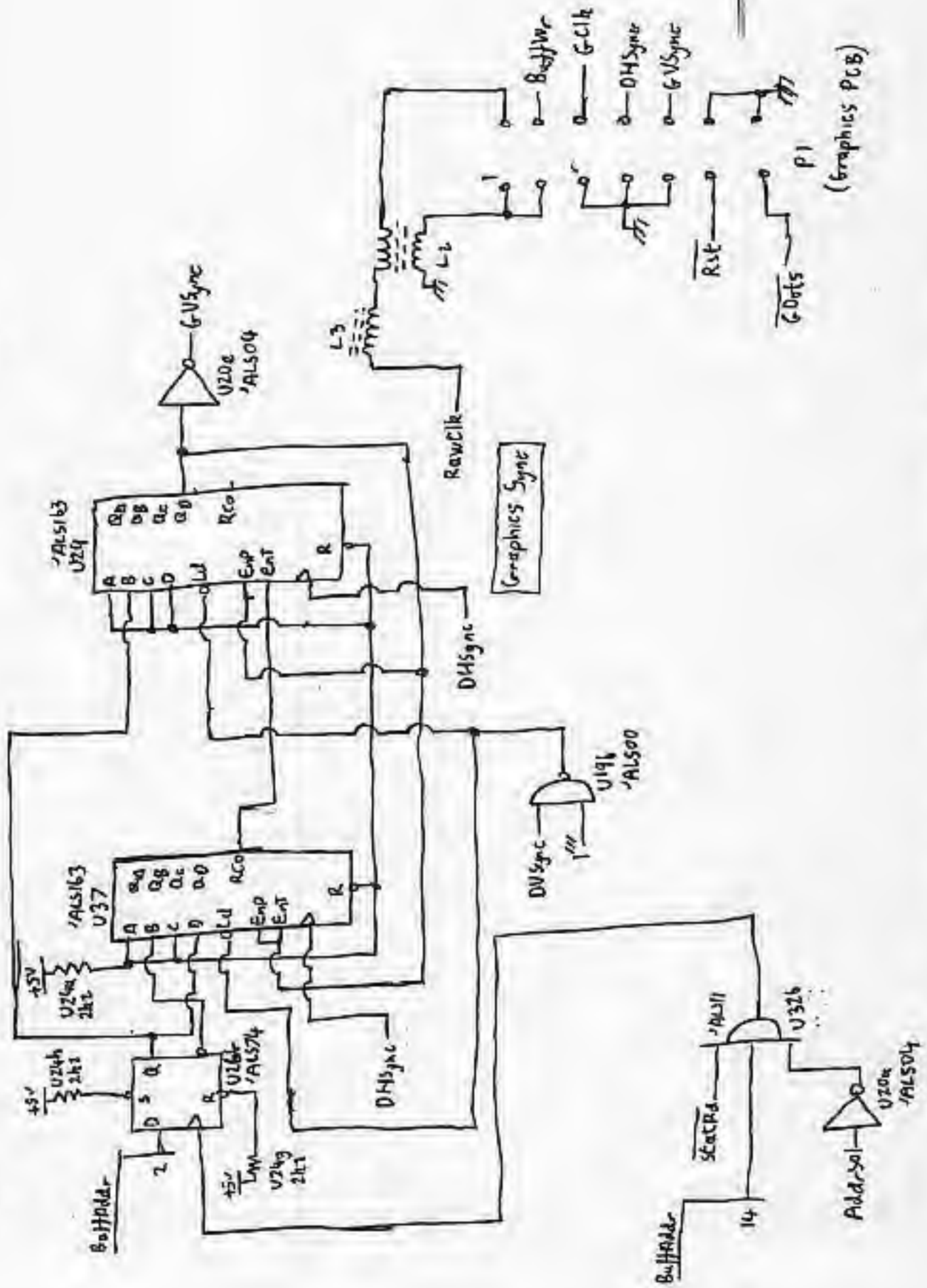
Video Path

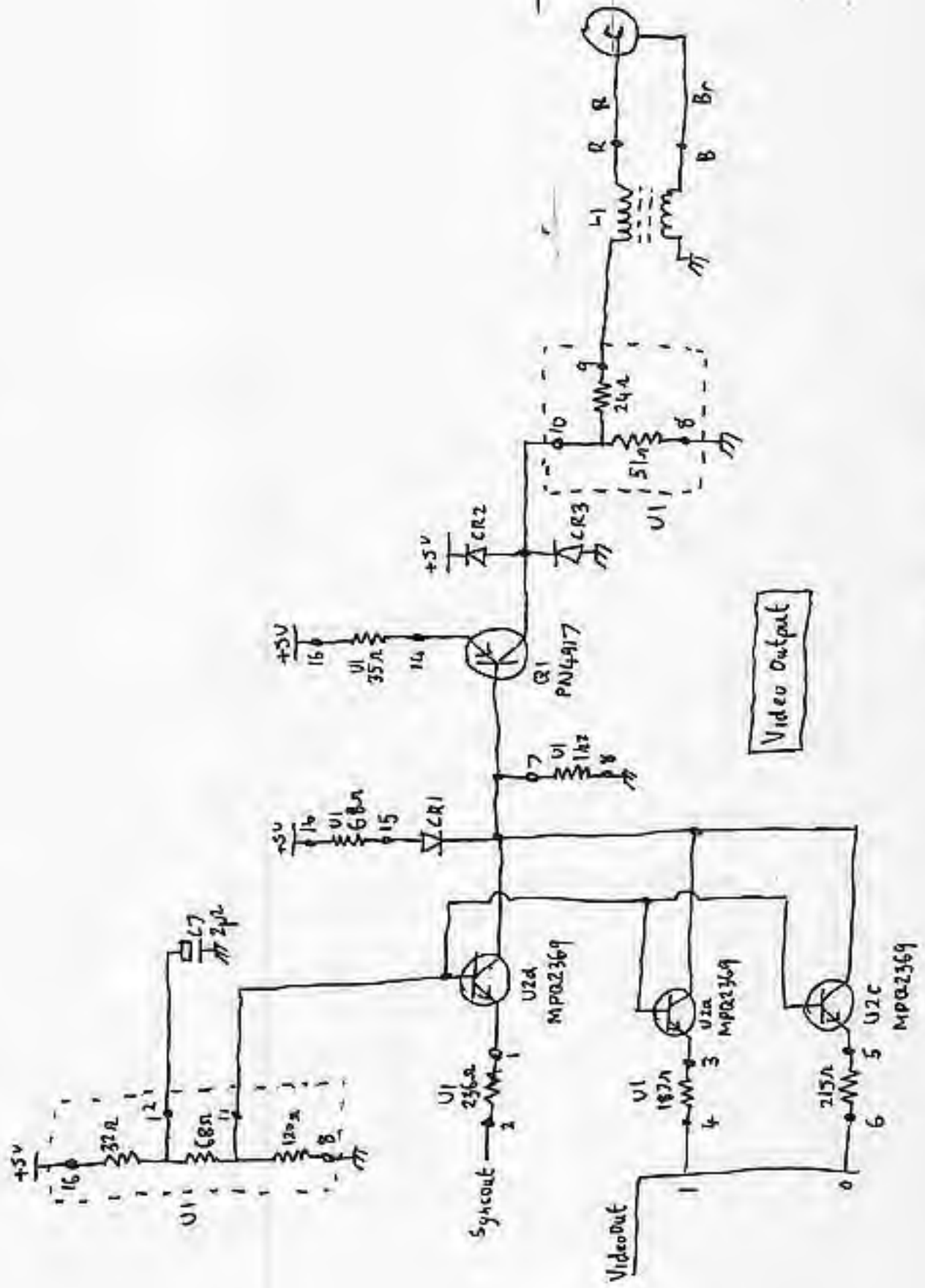
Blink Clock

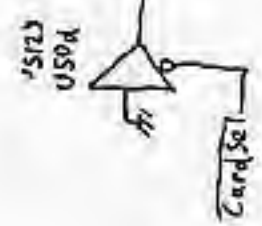
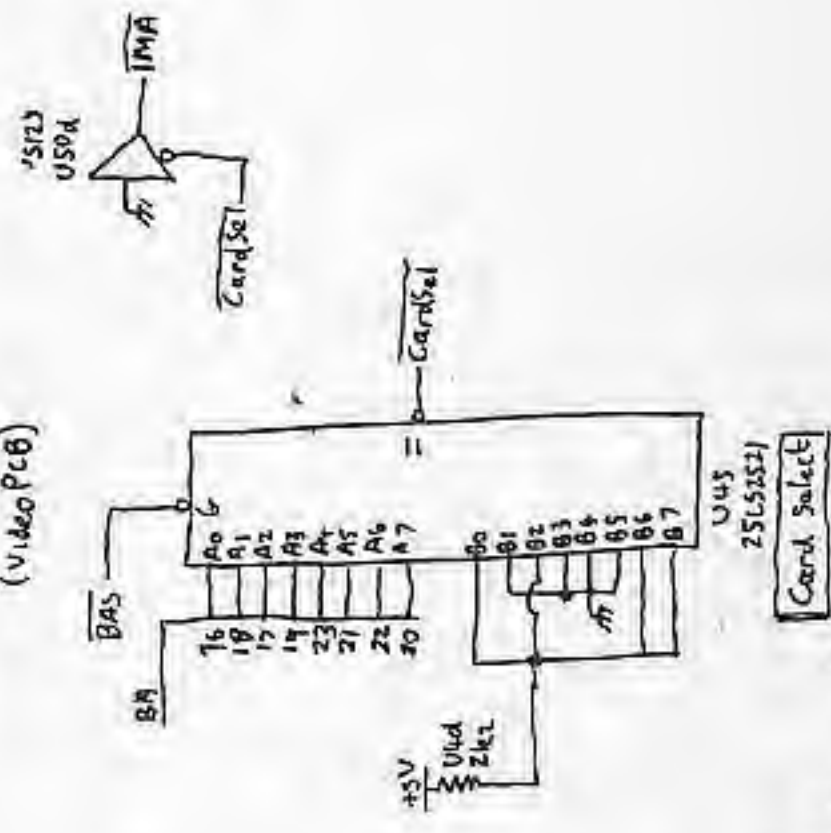
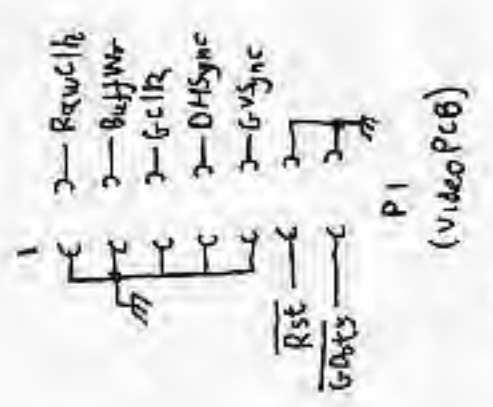
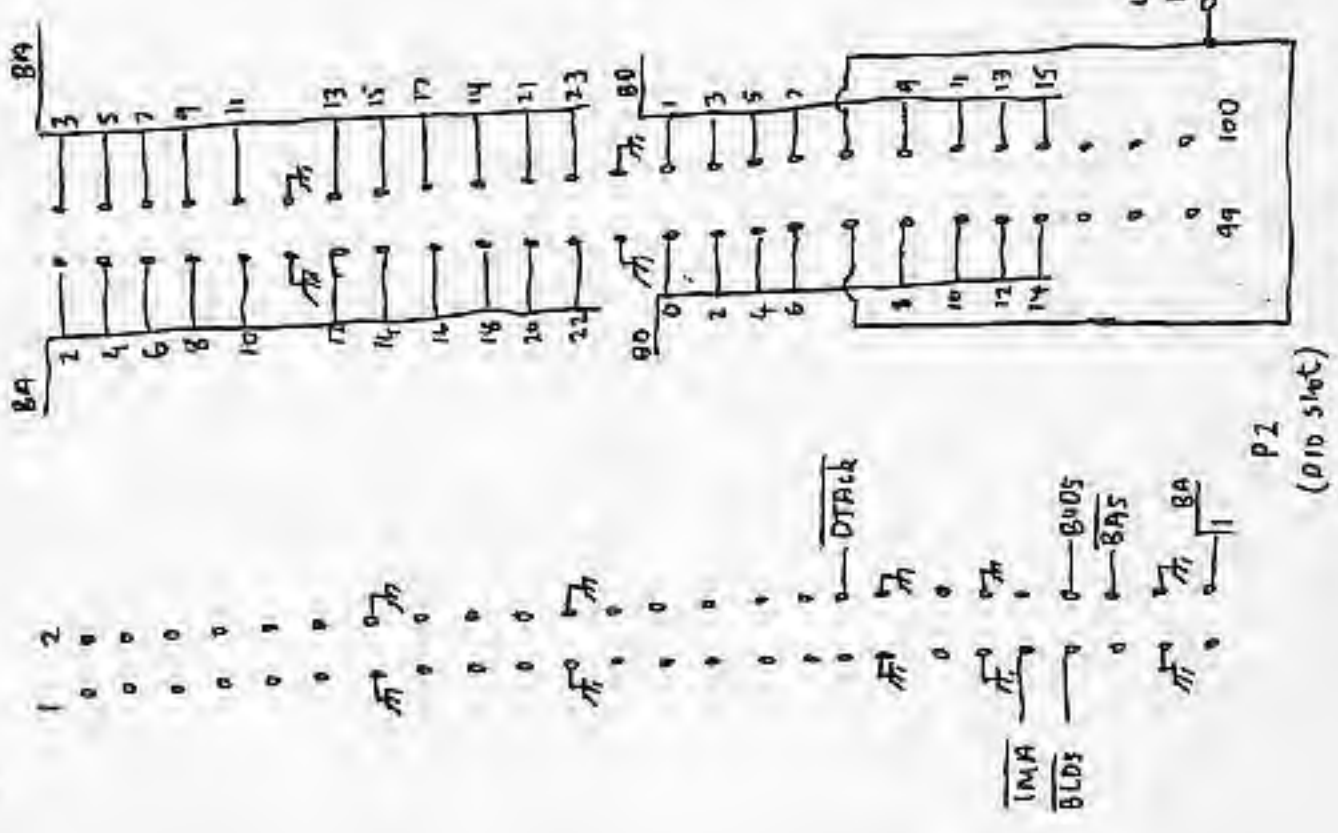


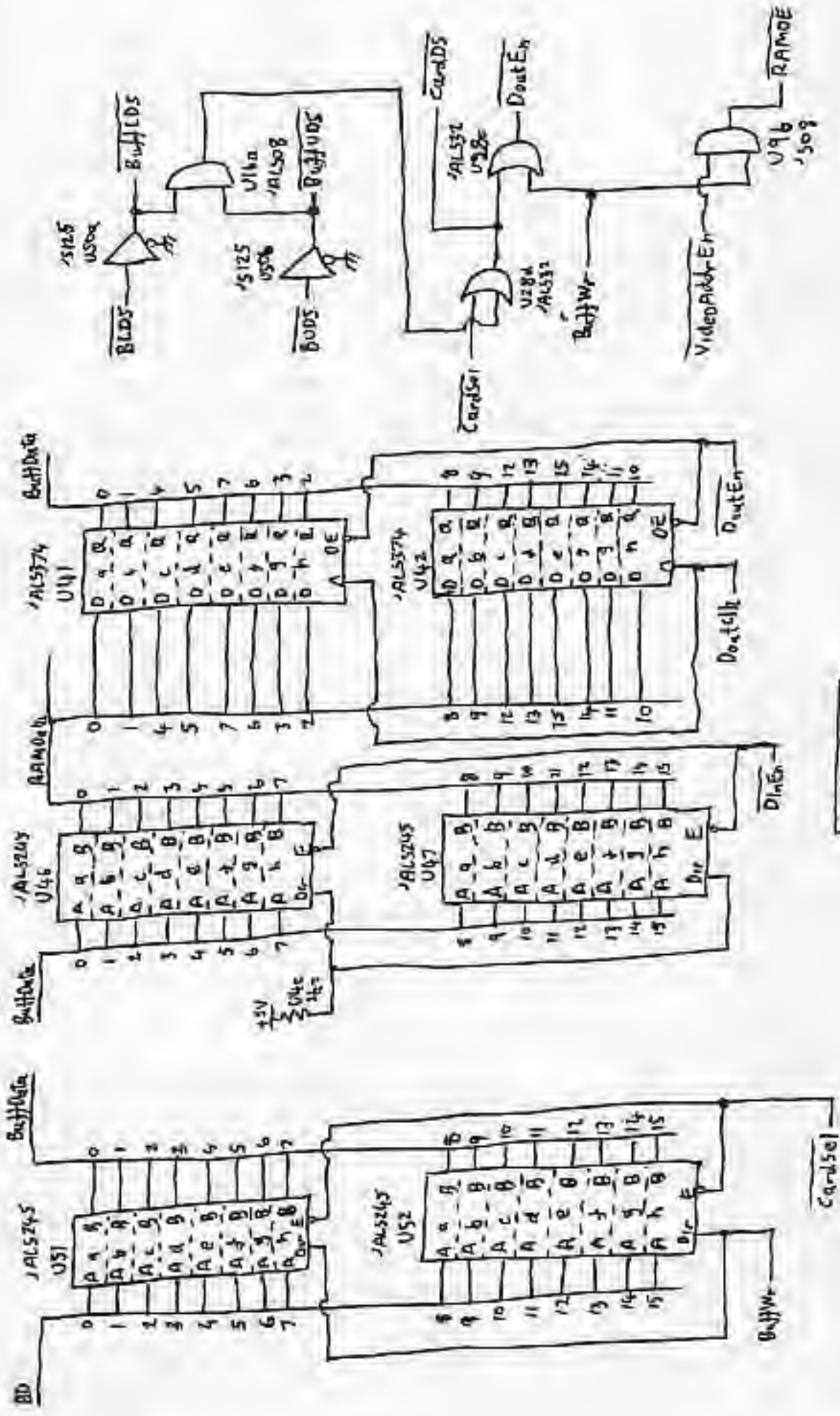


Sync Timing

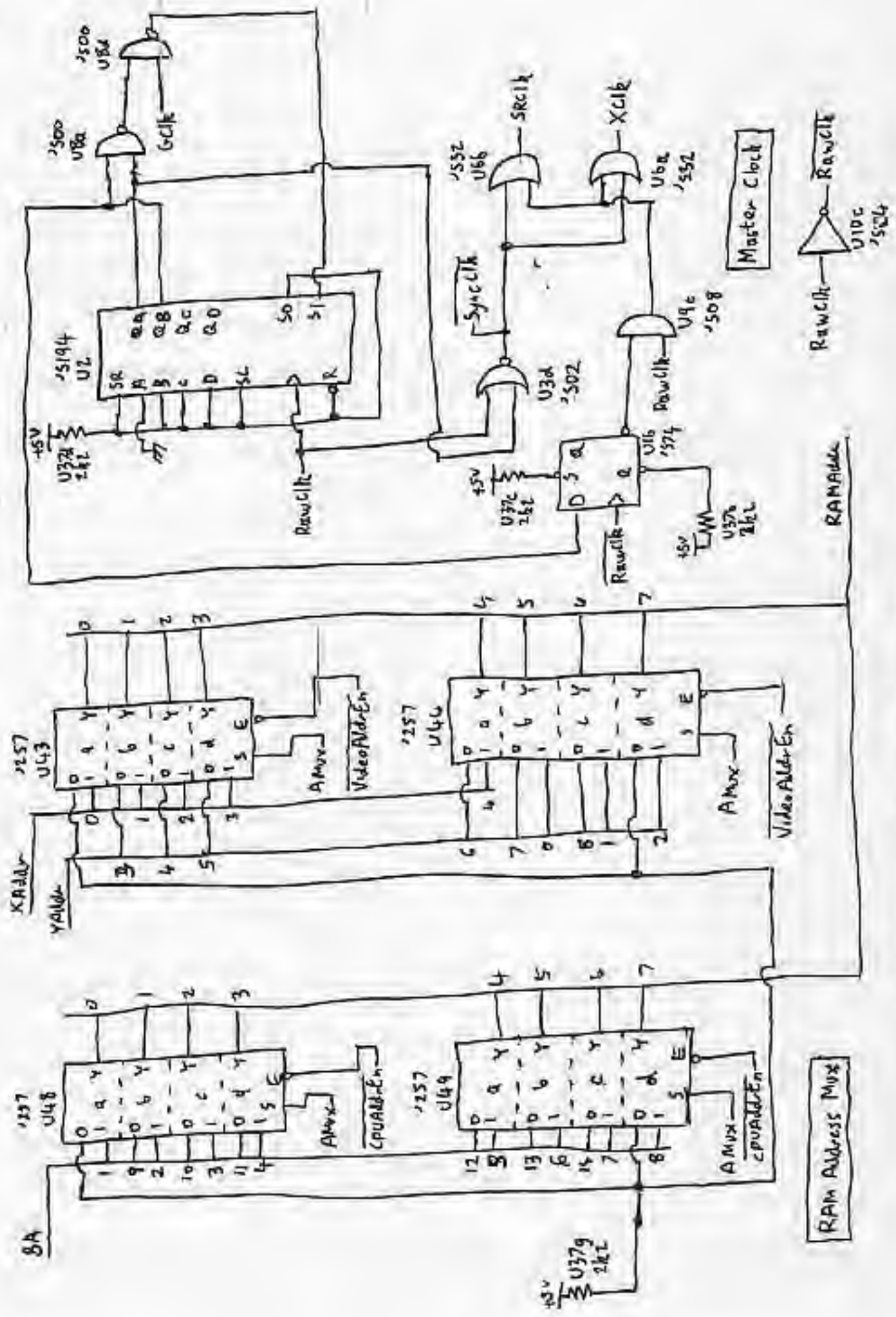




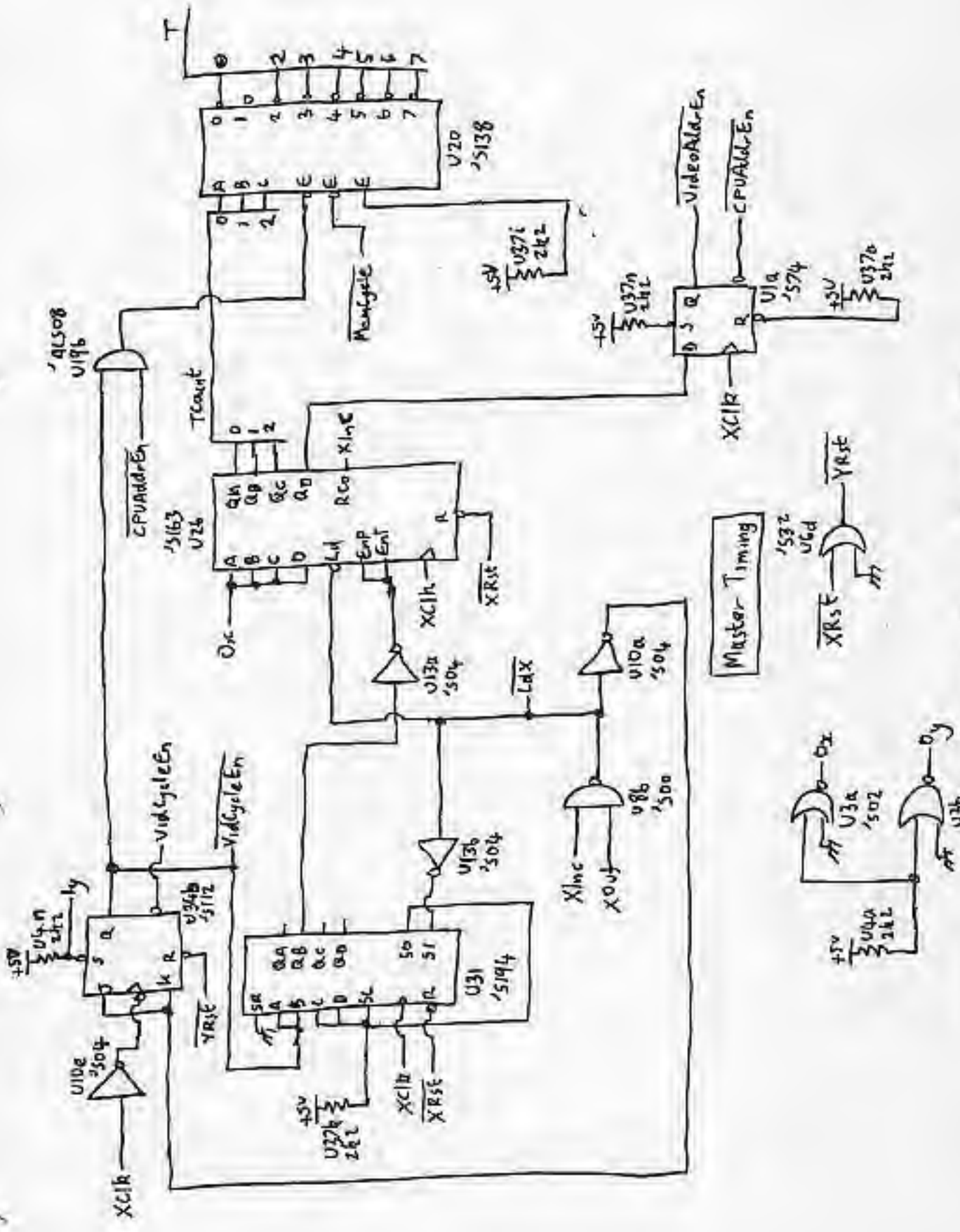




Data Buffers





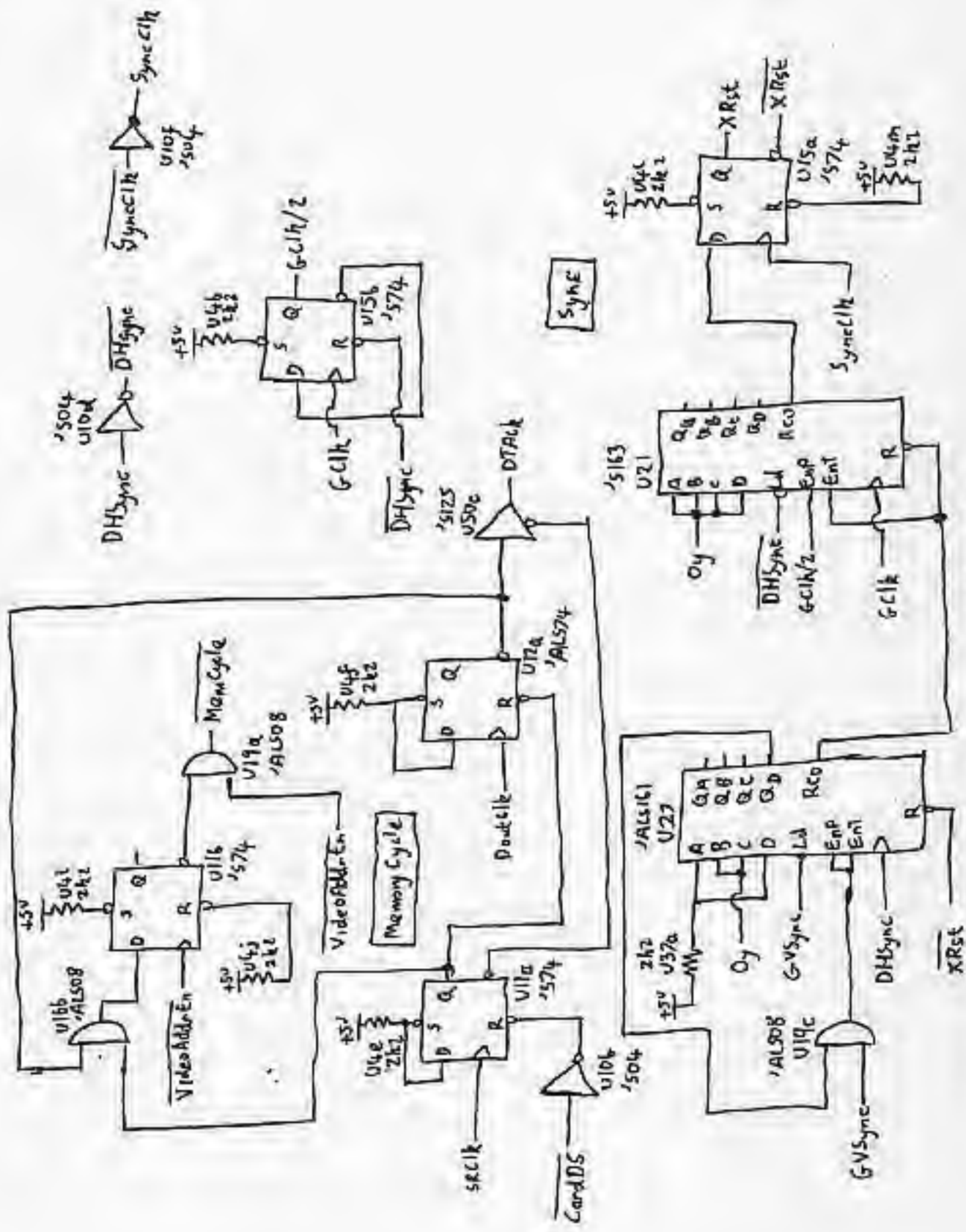


98204-665JZ

Sheet (4)

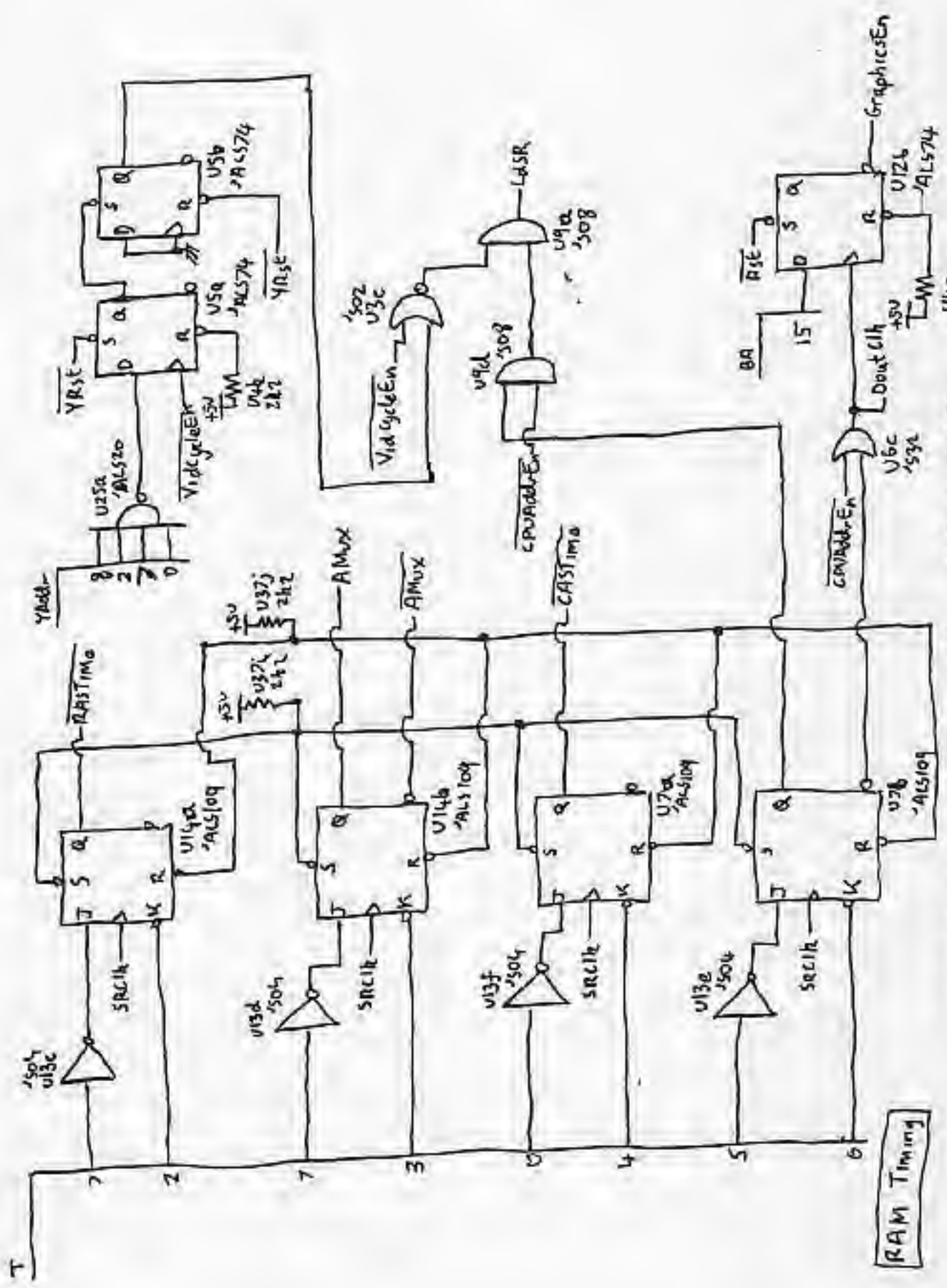
HP 98204B Graphics PCB

Master Timing

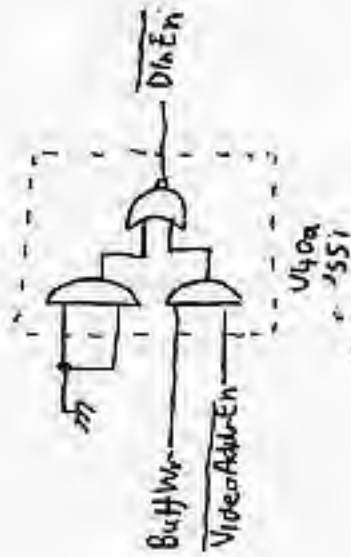
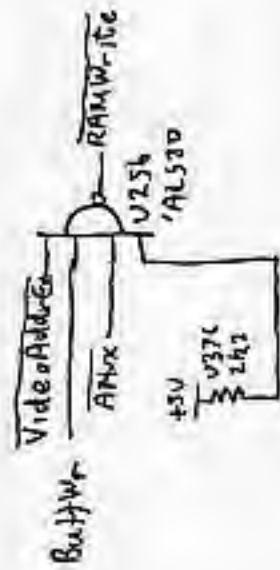
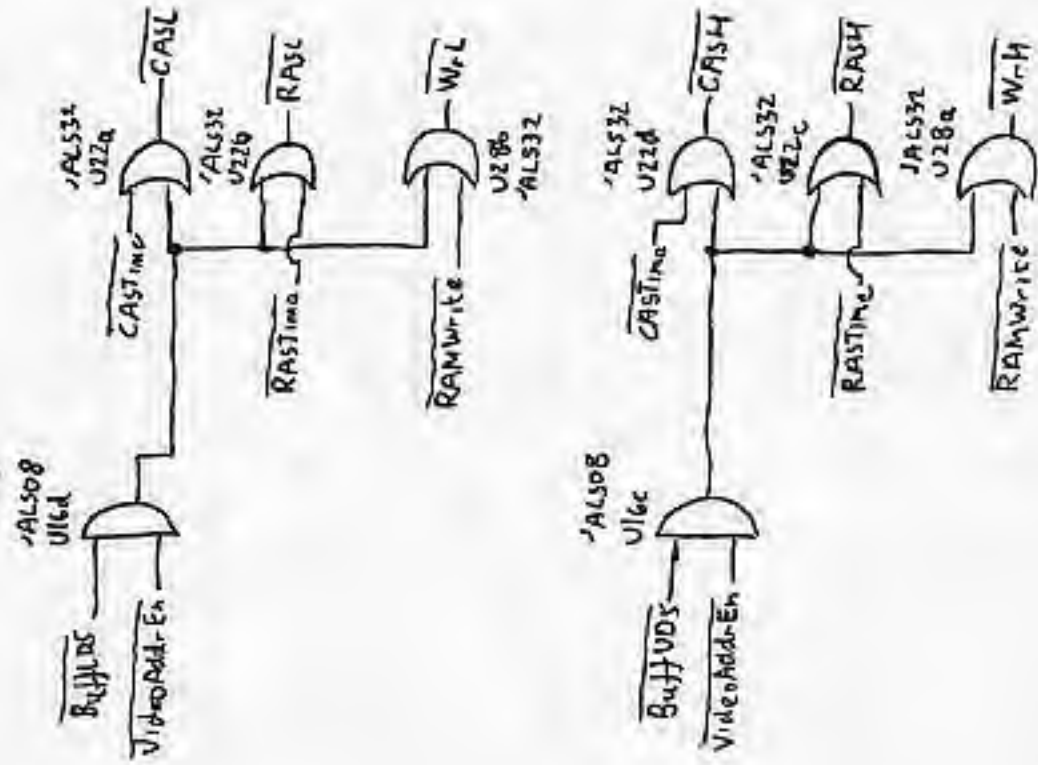


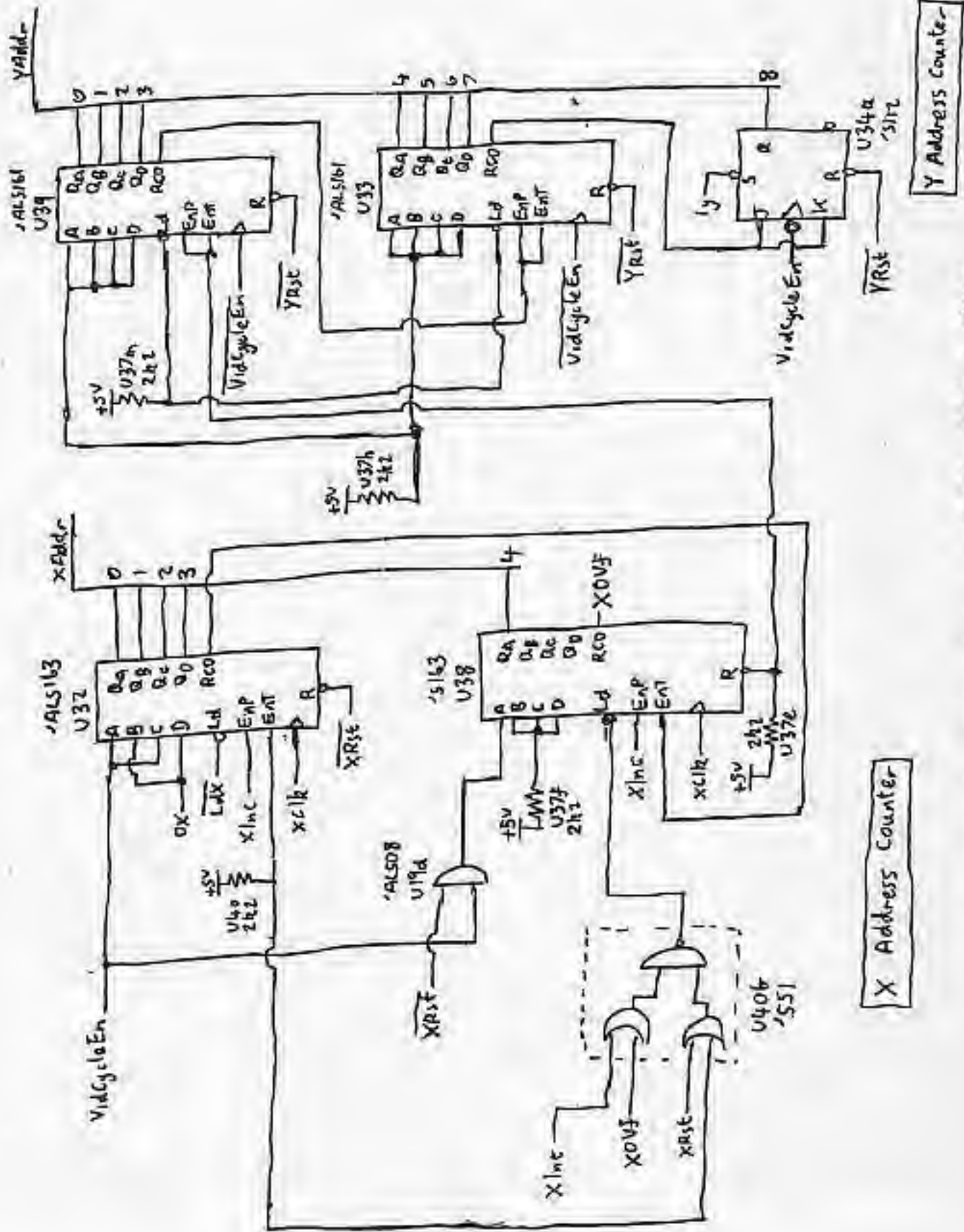
98204-66577

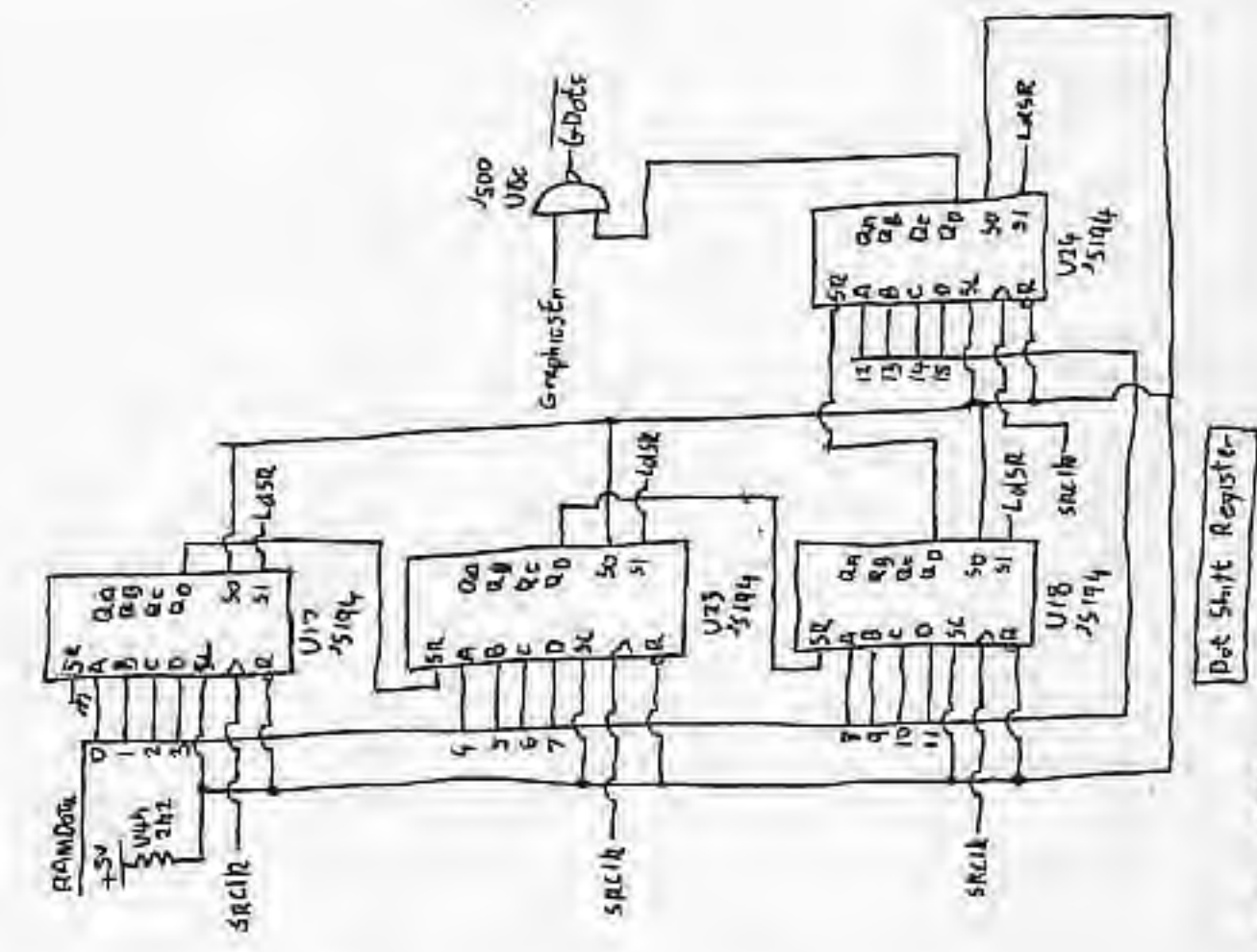
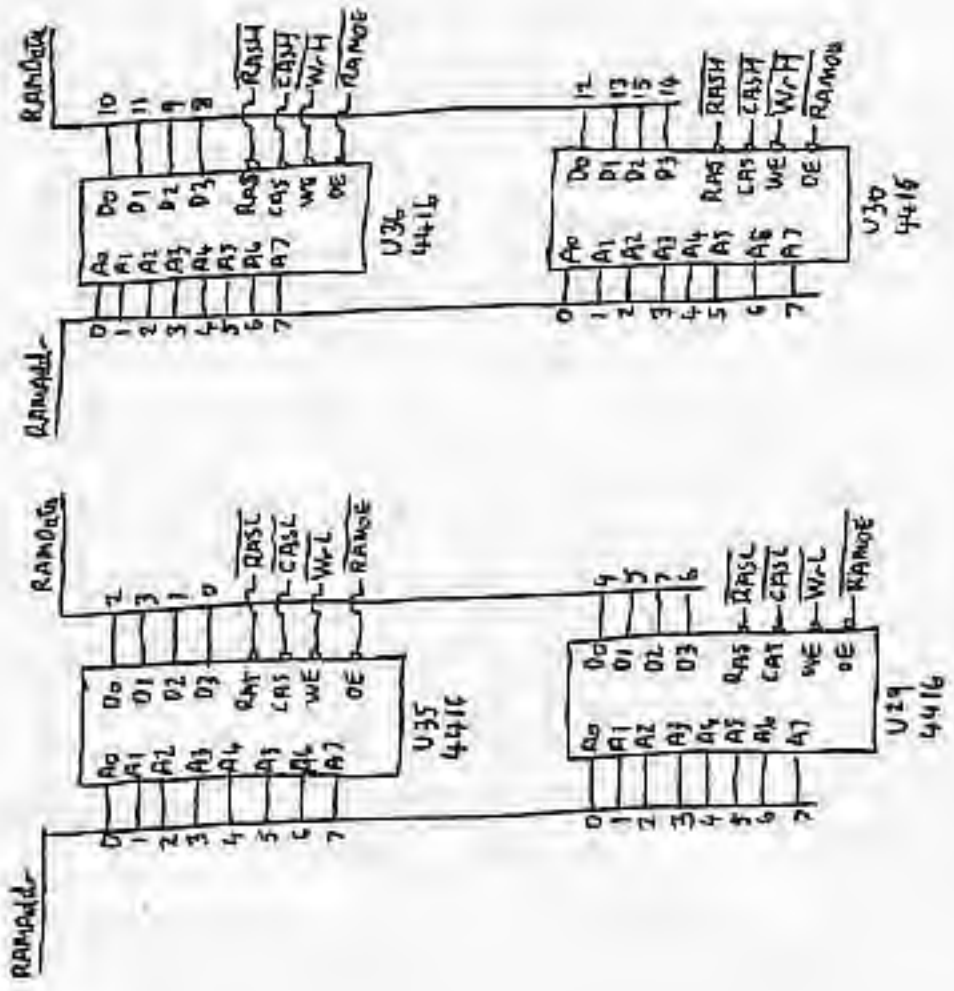
HP98204B Graphics PCB sheet 5



RAM Control



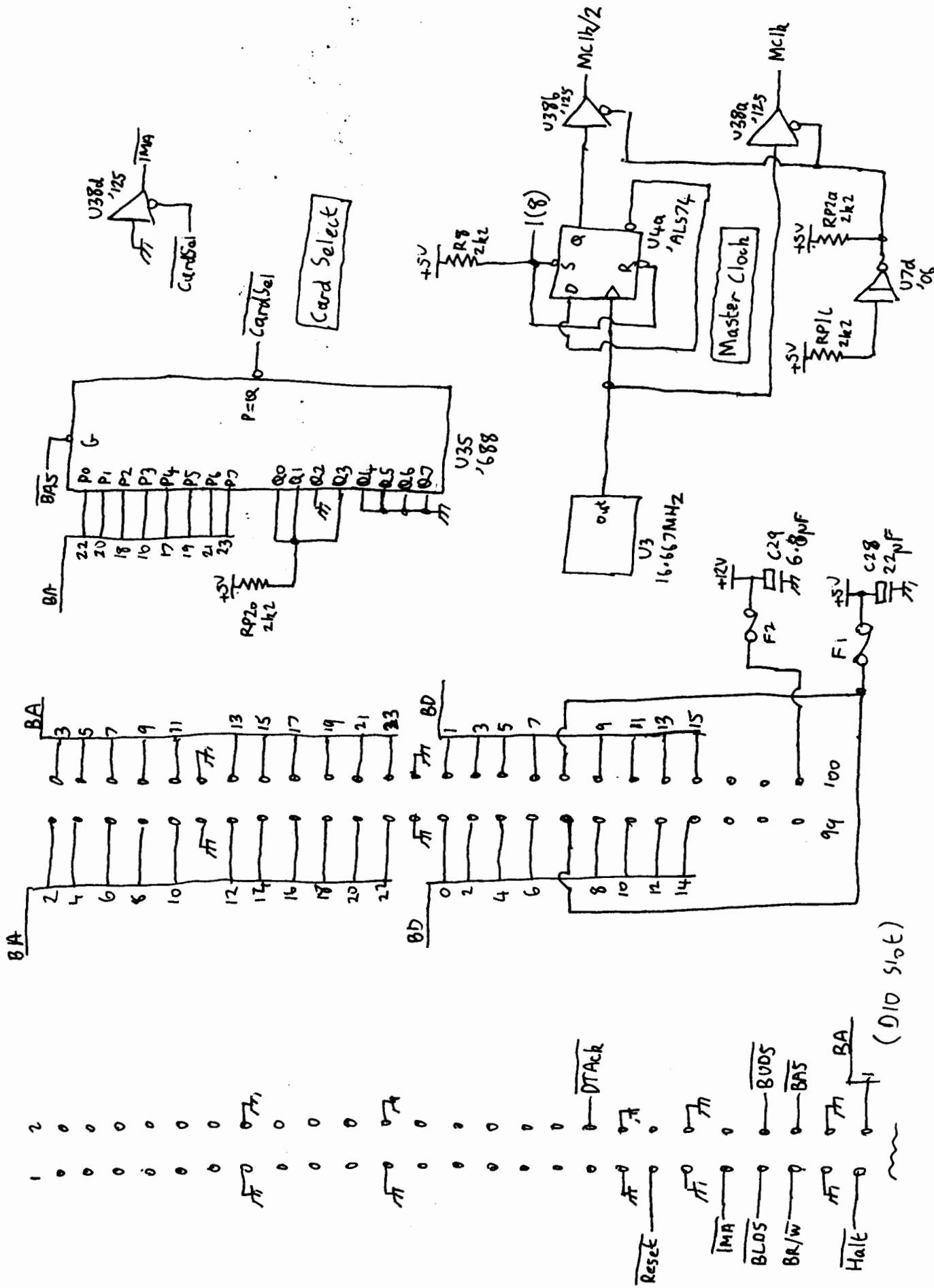




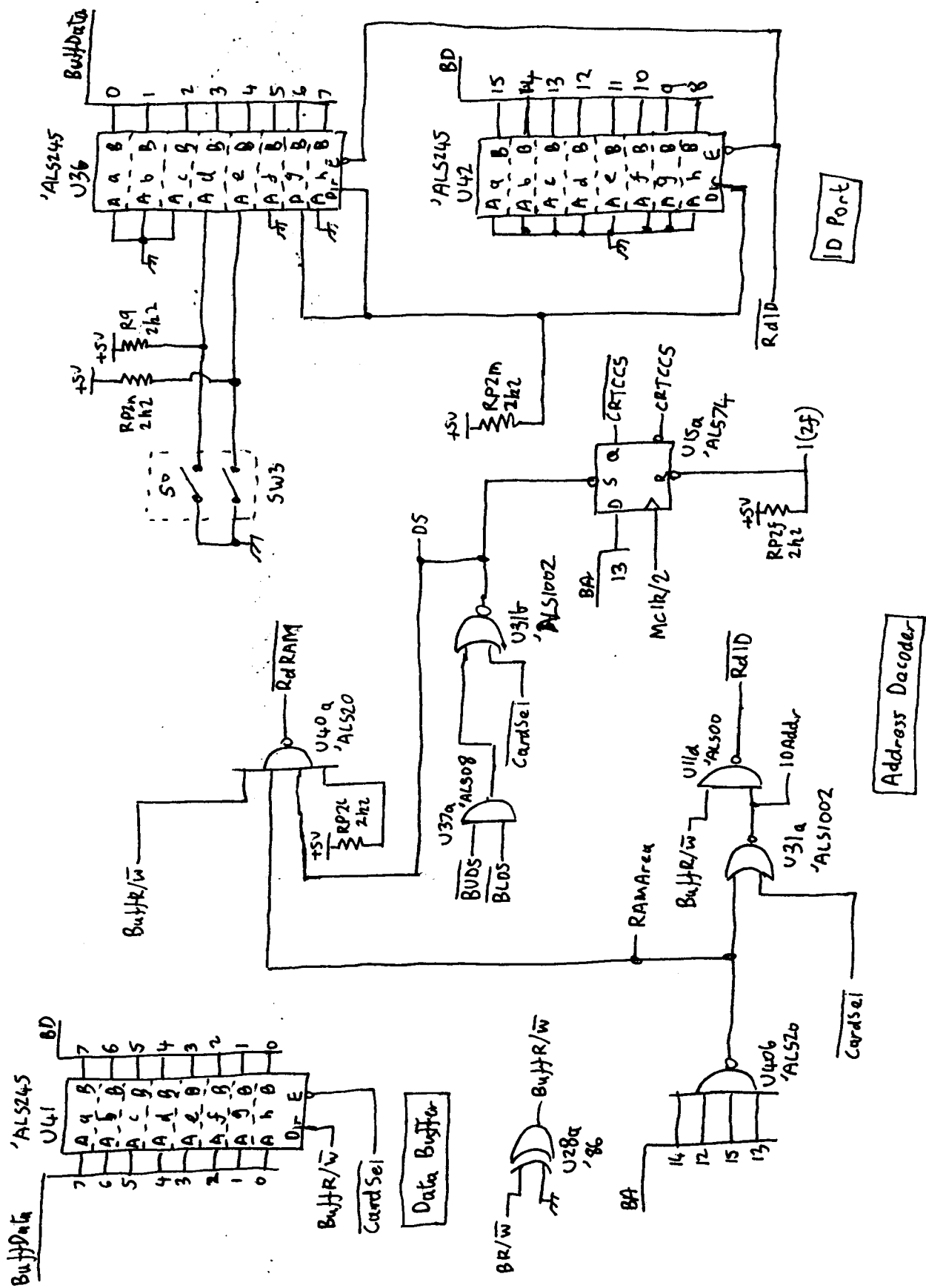
98204-66577

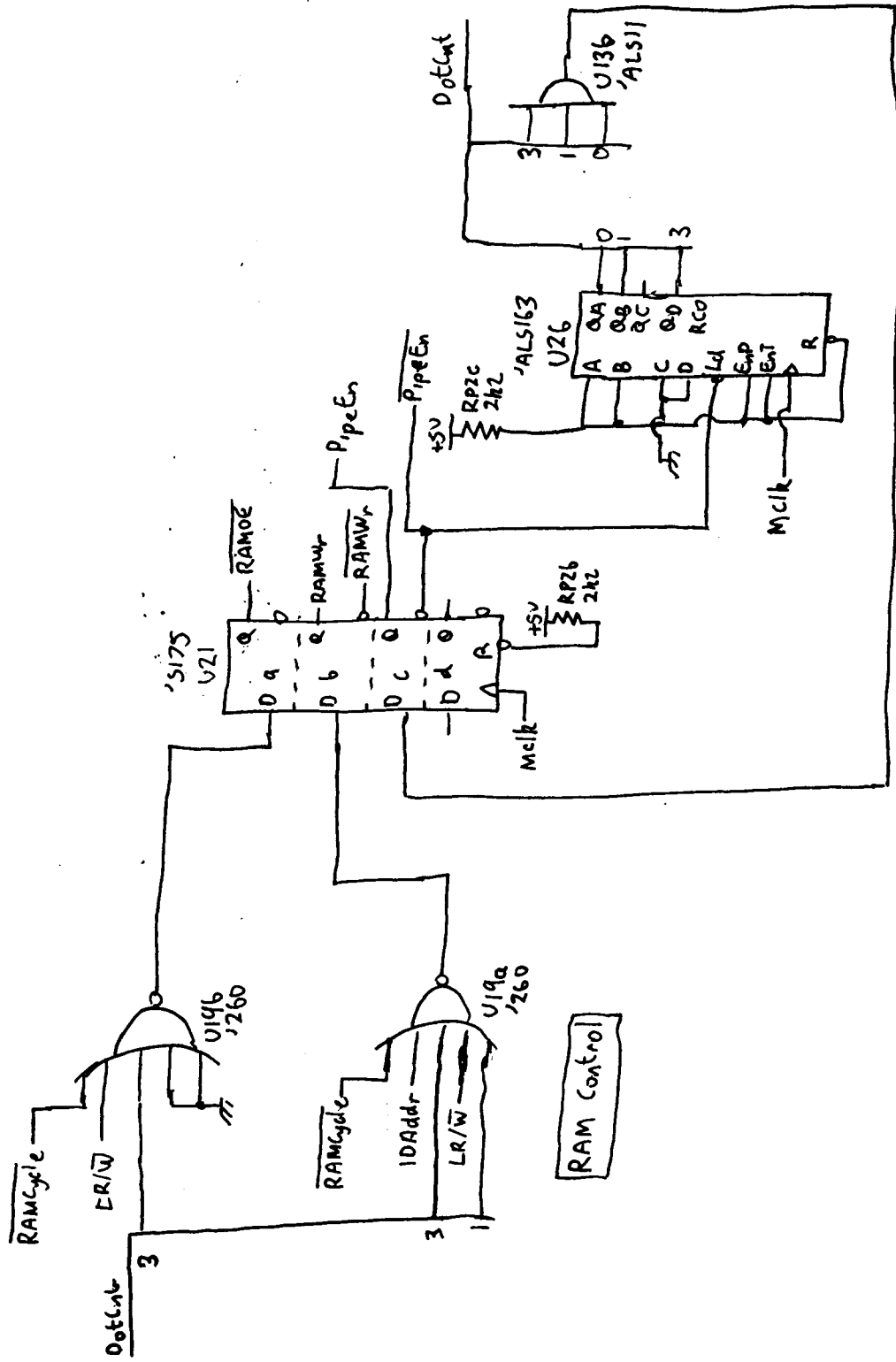
HP98104B Graphics PCB Sheet 9



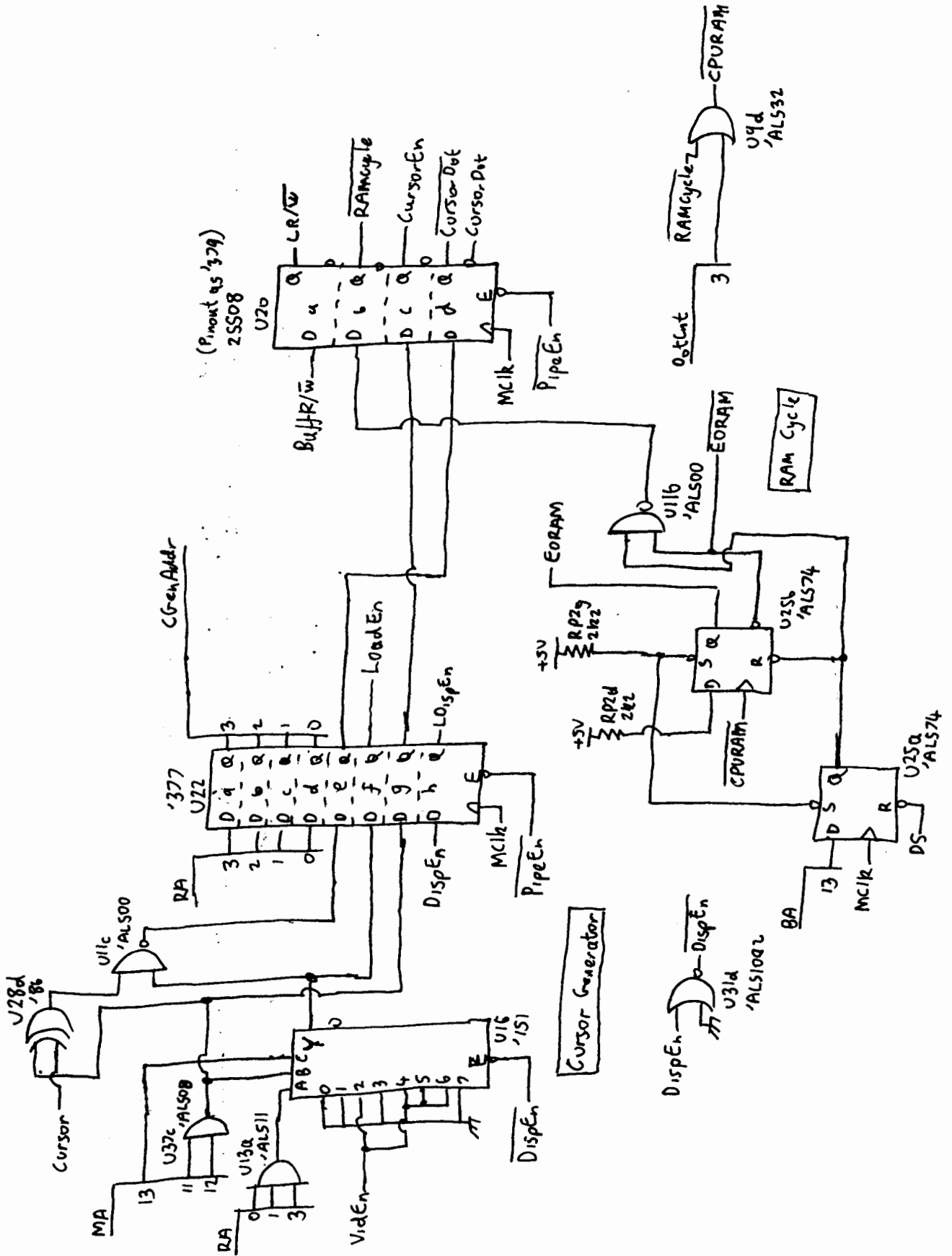


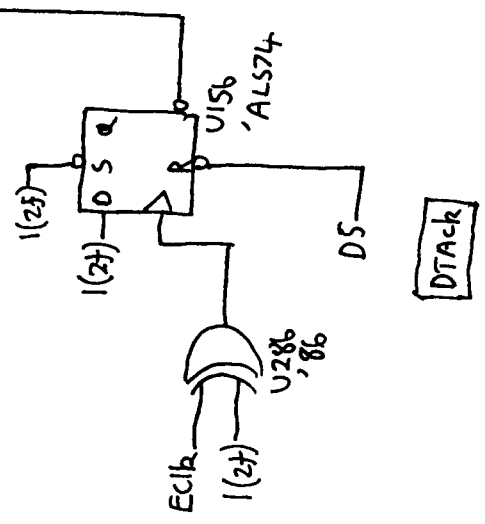
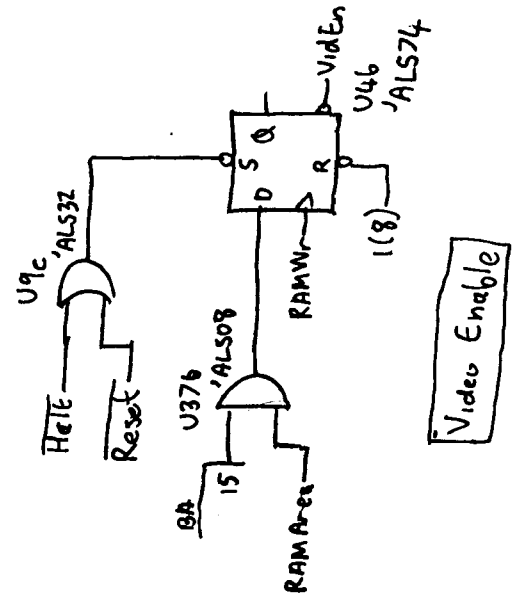
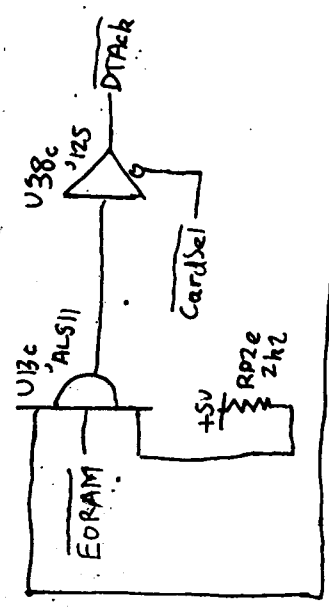
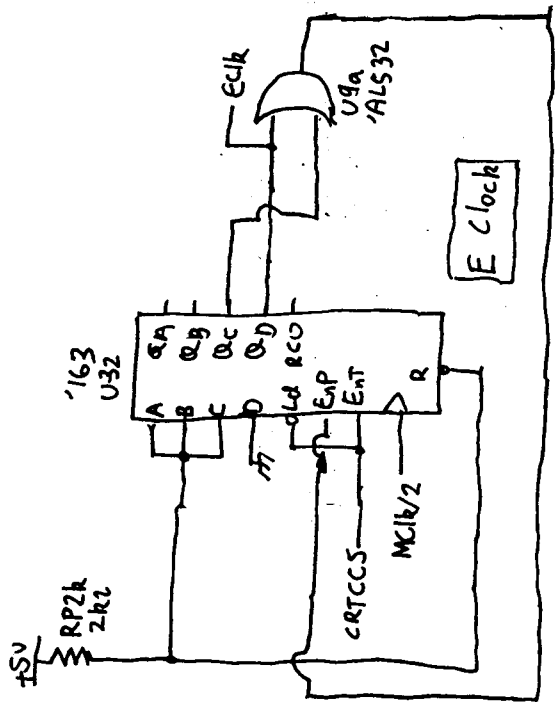
(D10 Slot)

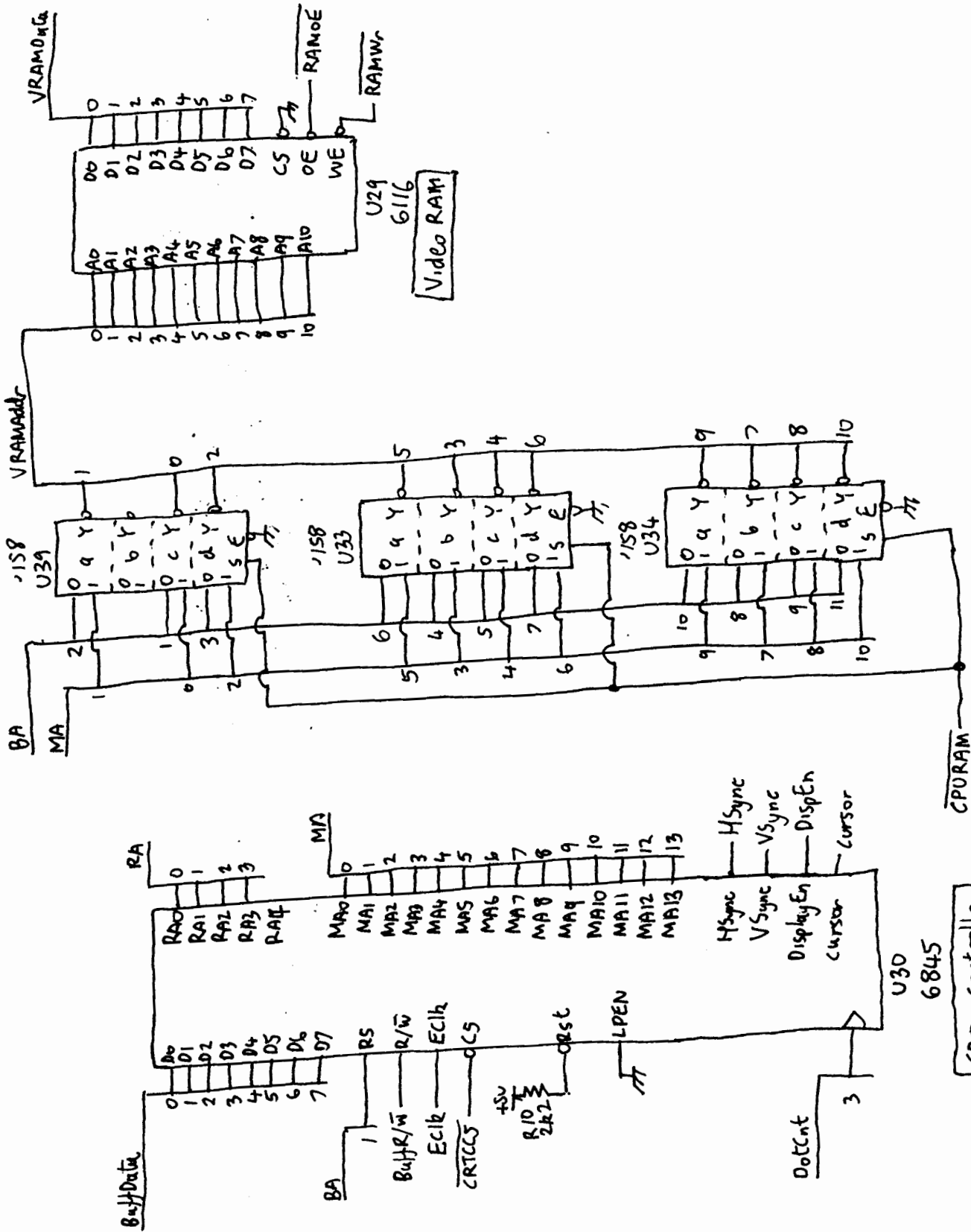




Cycle Timing





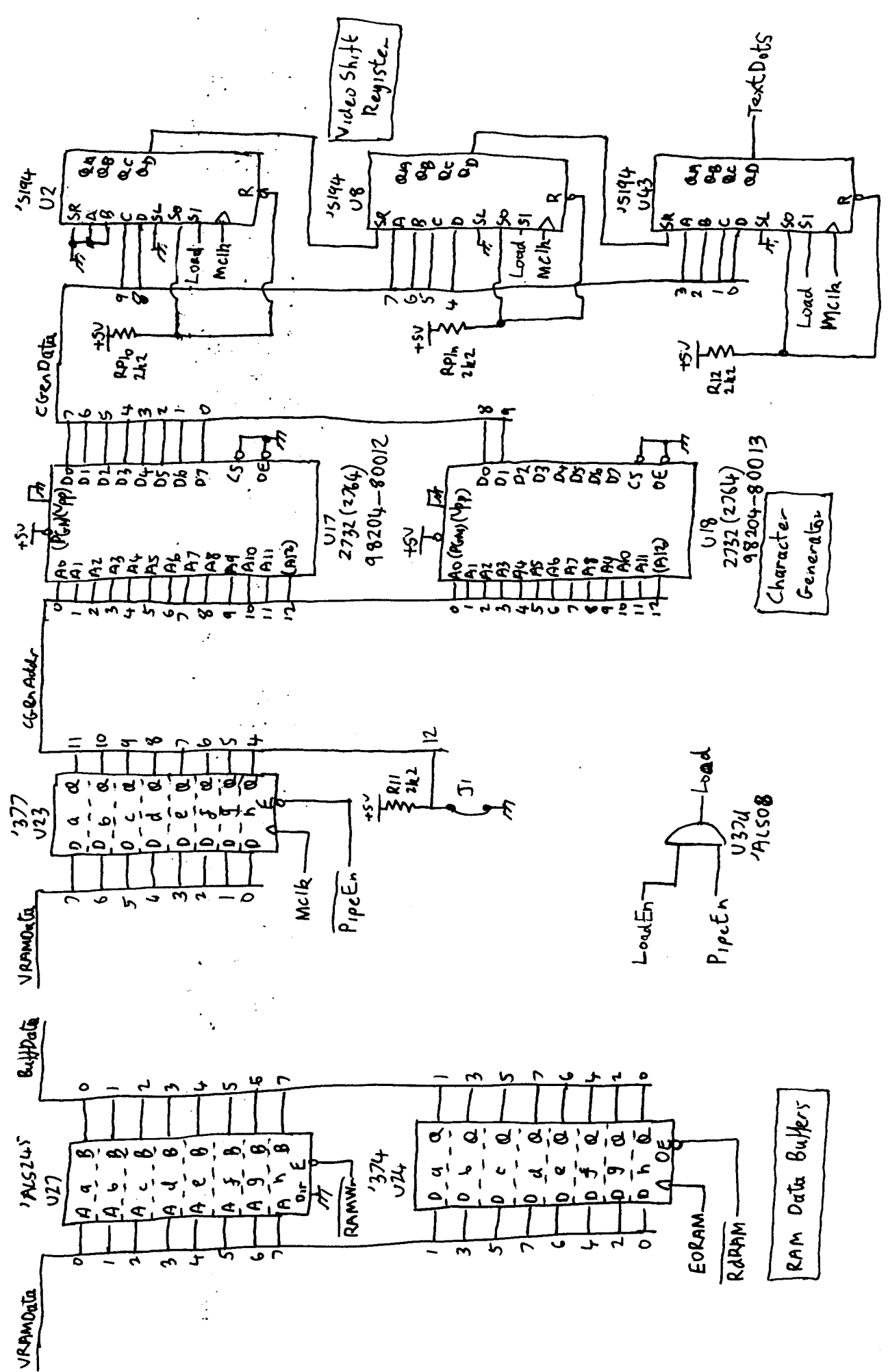


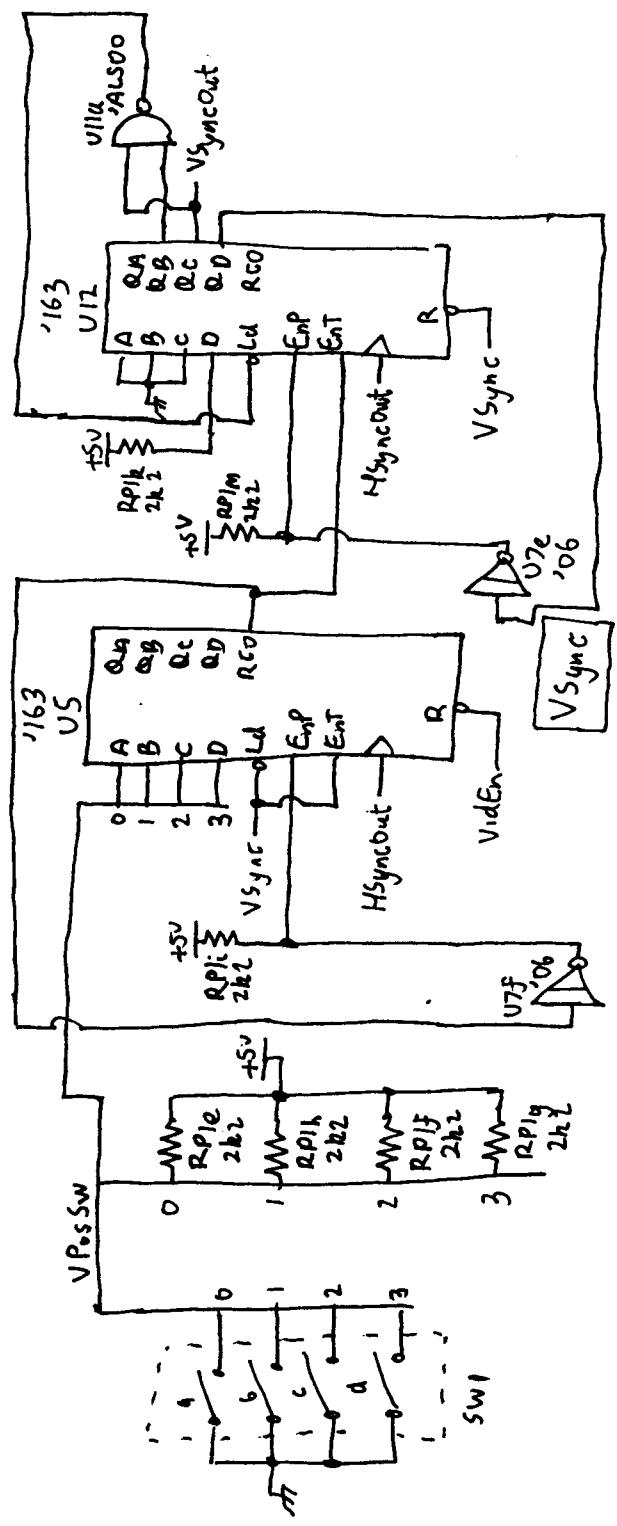
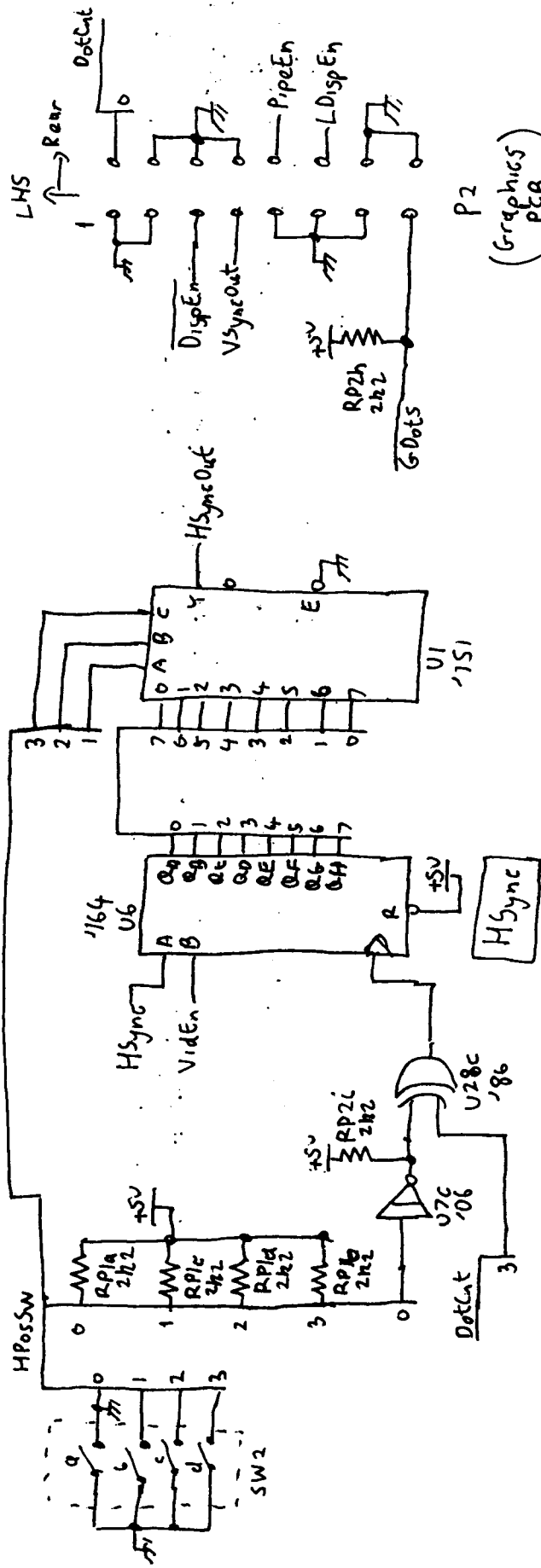
98204-66576

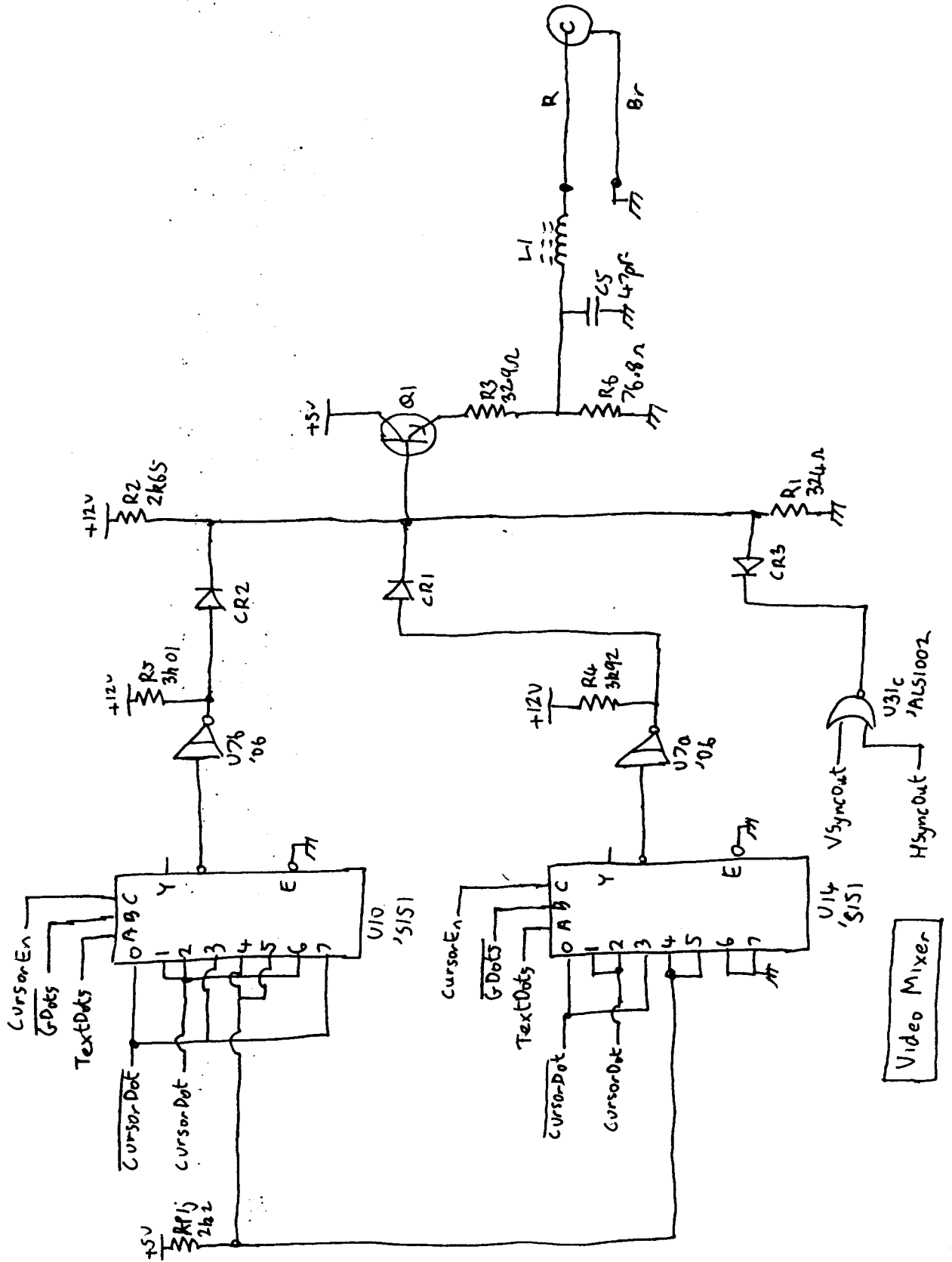
HP98204A Text Video PCB Sheet 6

CRT Controller

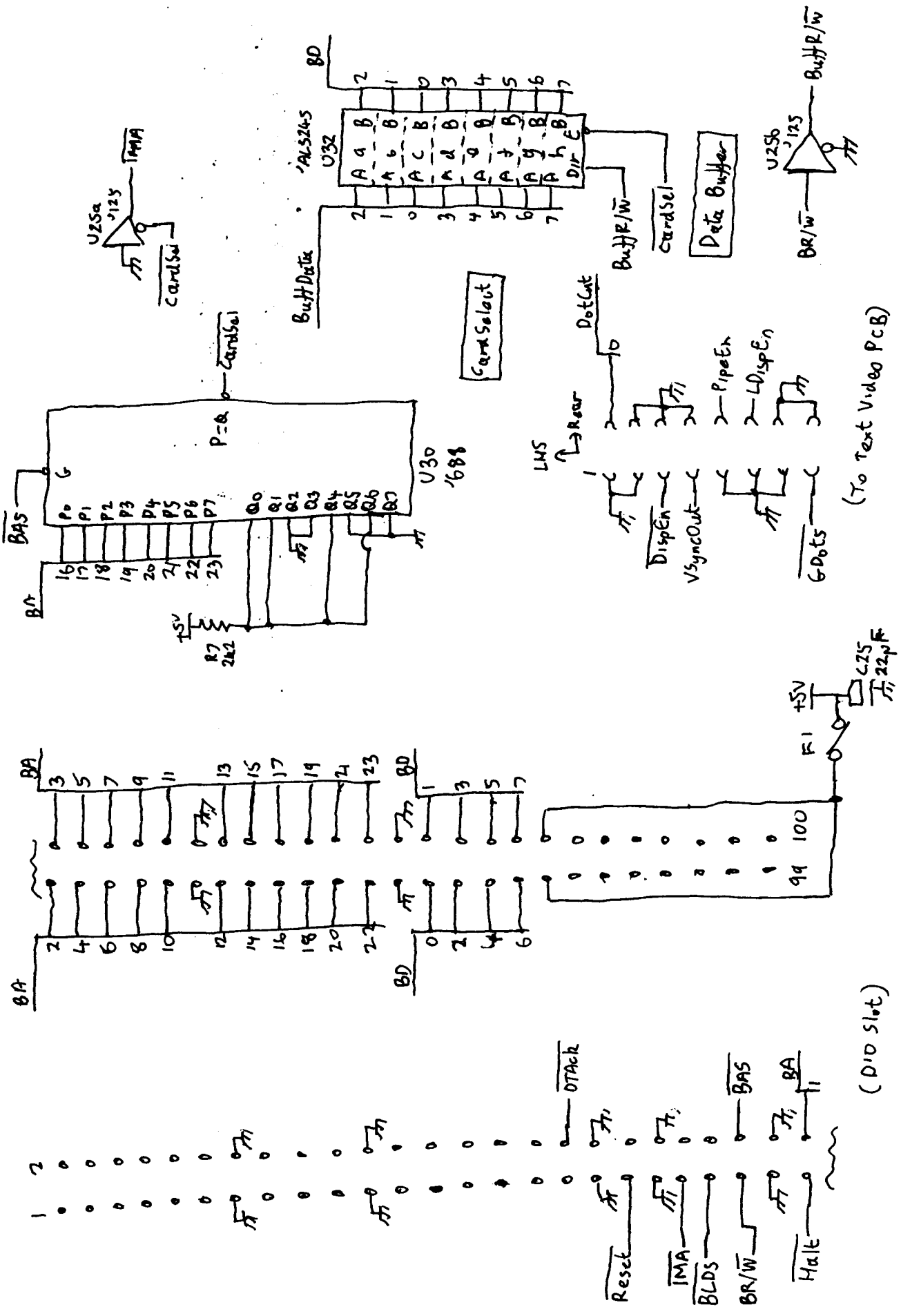








Video Mixer



(DIO slot)

(To Text Video PCB)

