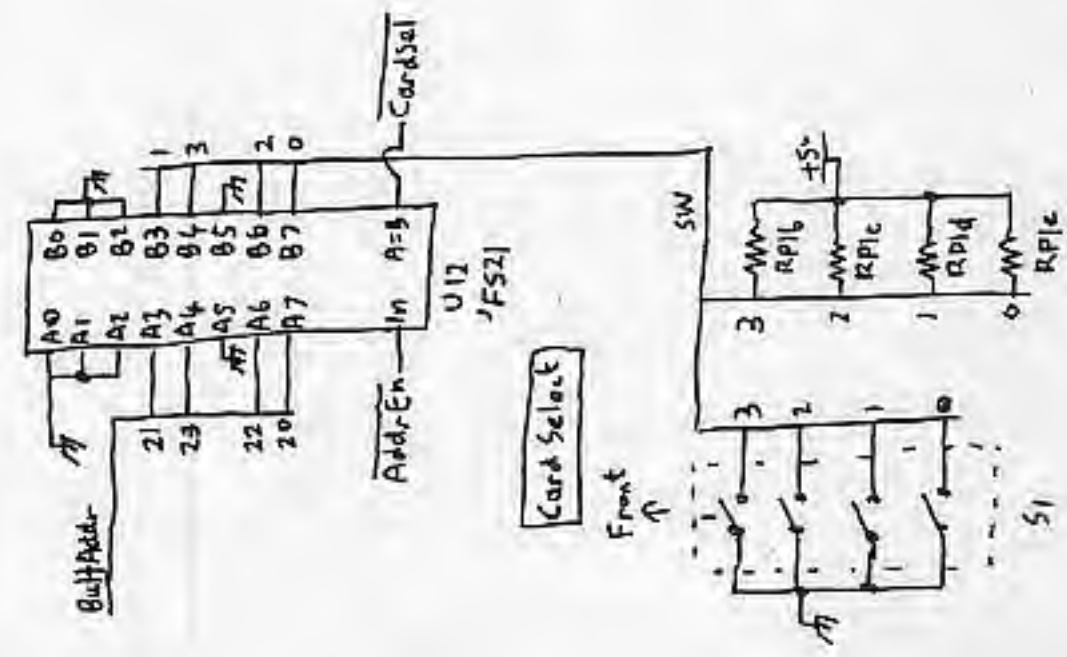
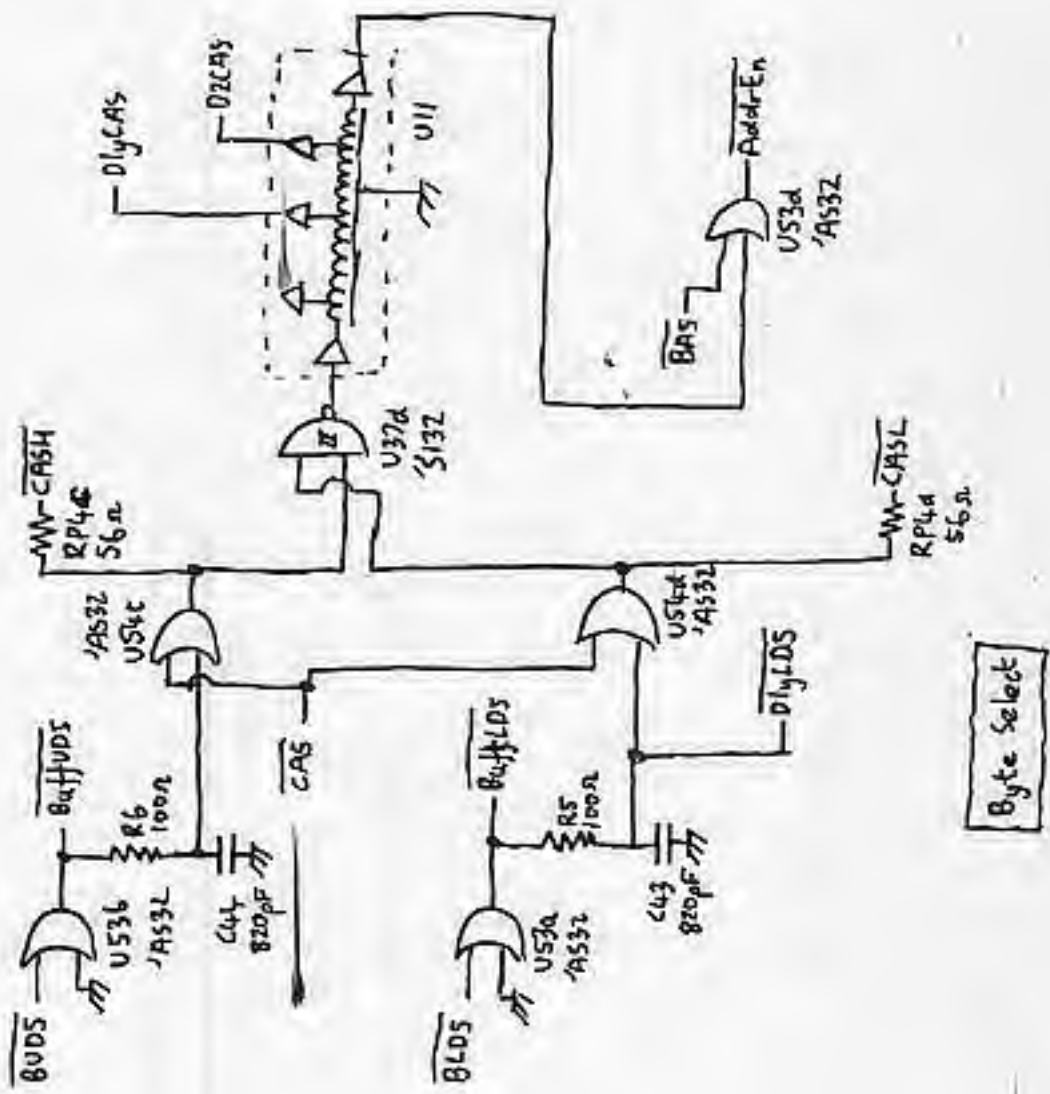


98257-66524

Sheet 1

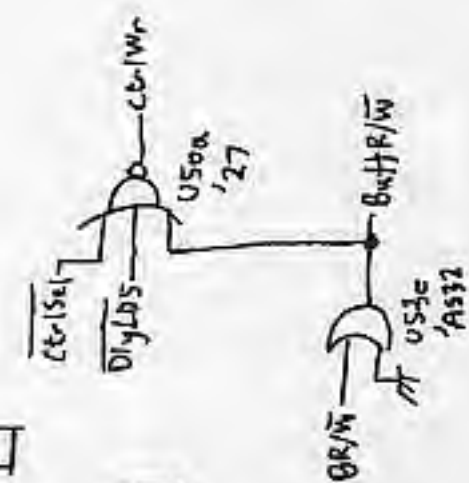
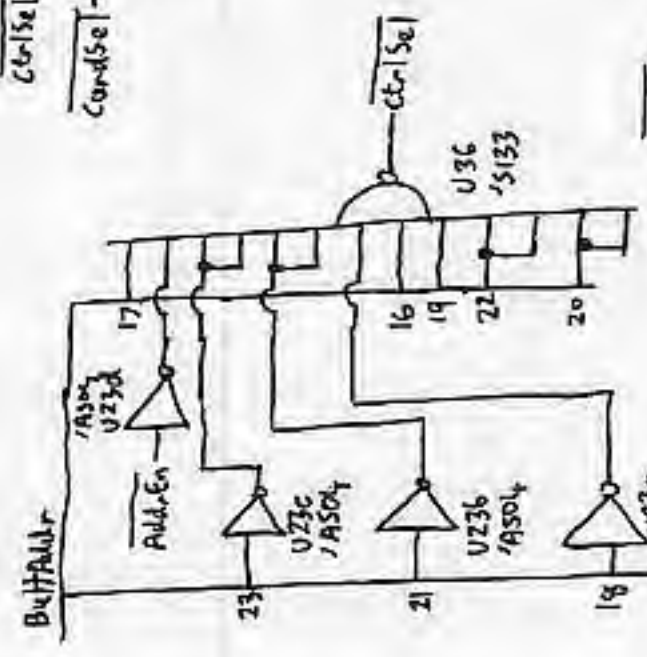
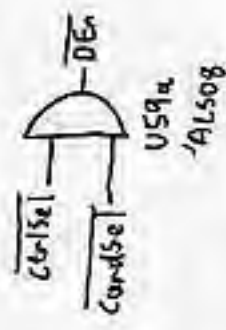
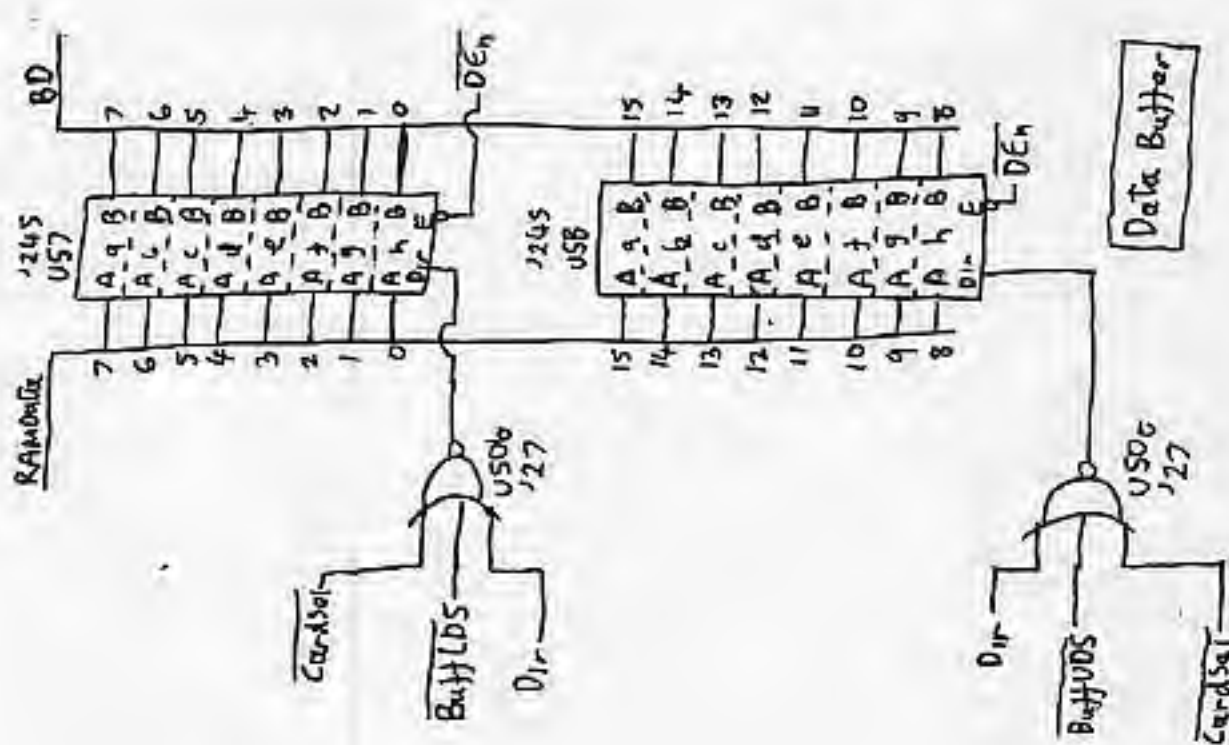
1MByte D10 RAM PCB

HP 98257

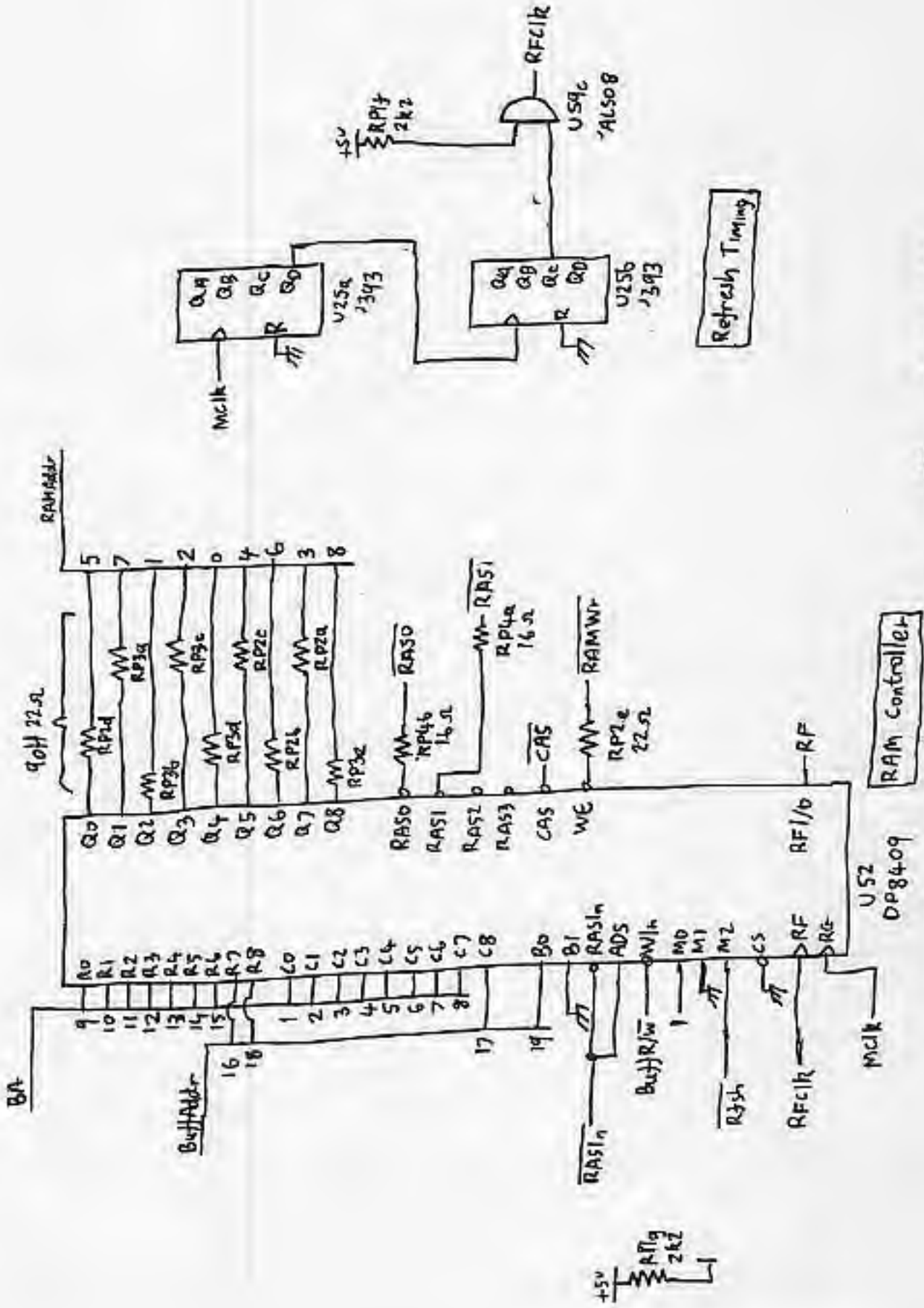


Byte Select

Card Select



HP98257 1M Byte DIO RAM PCB Sheet (3) 98257-66524

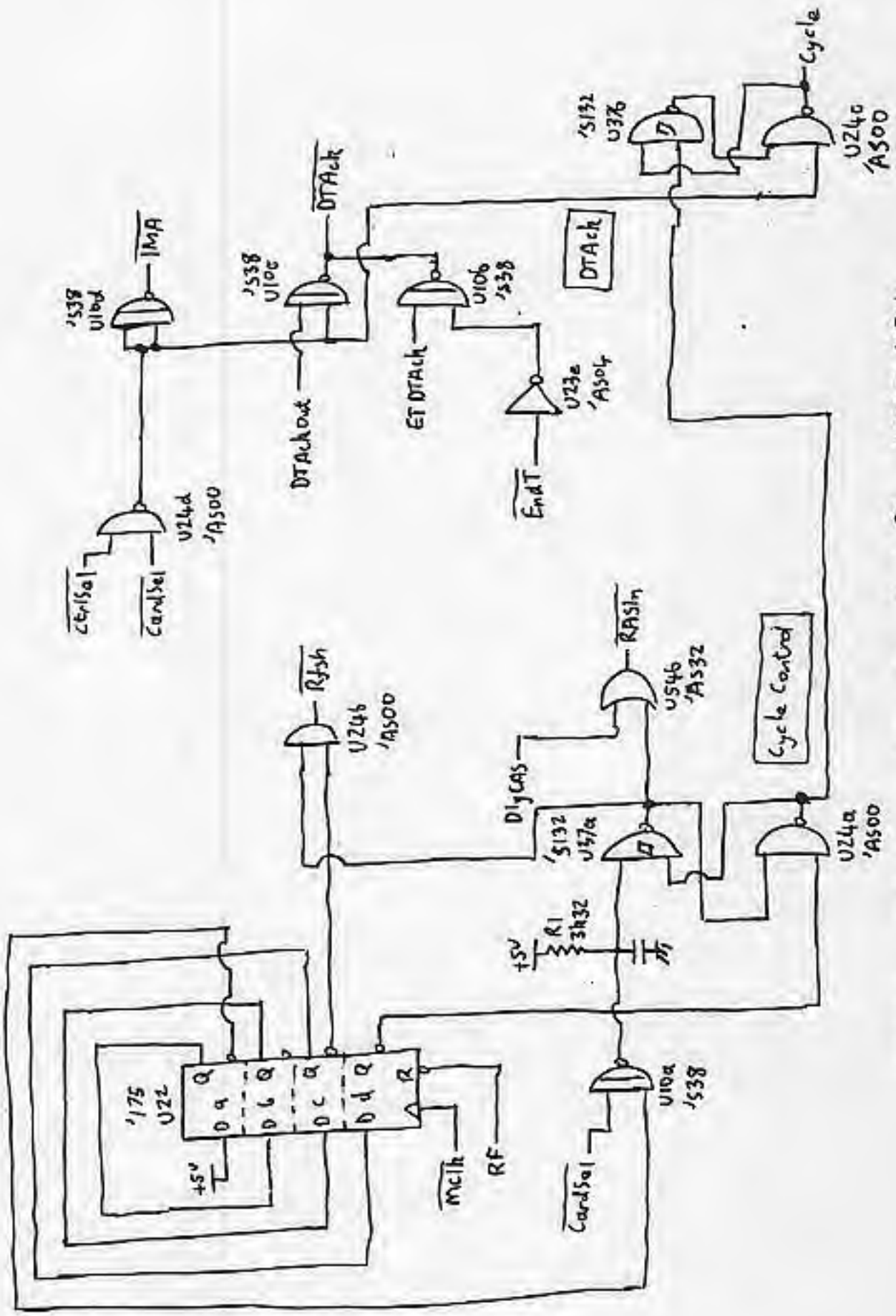


98257-66524

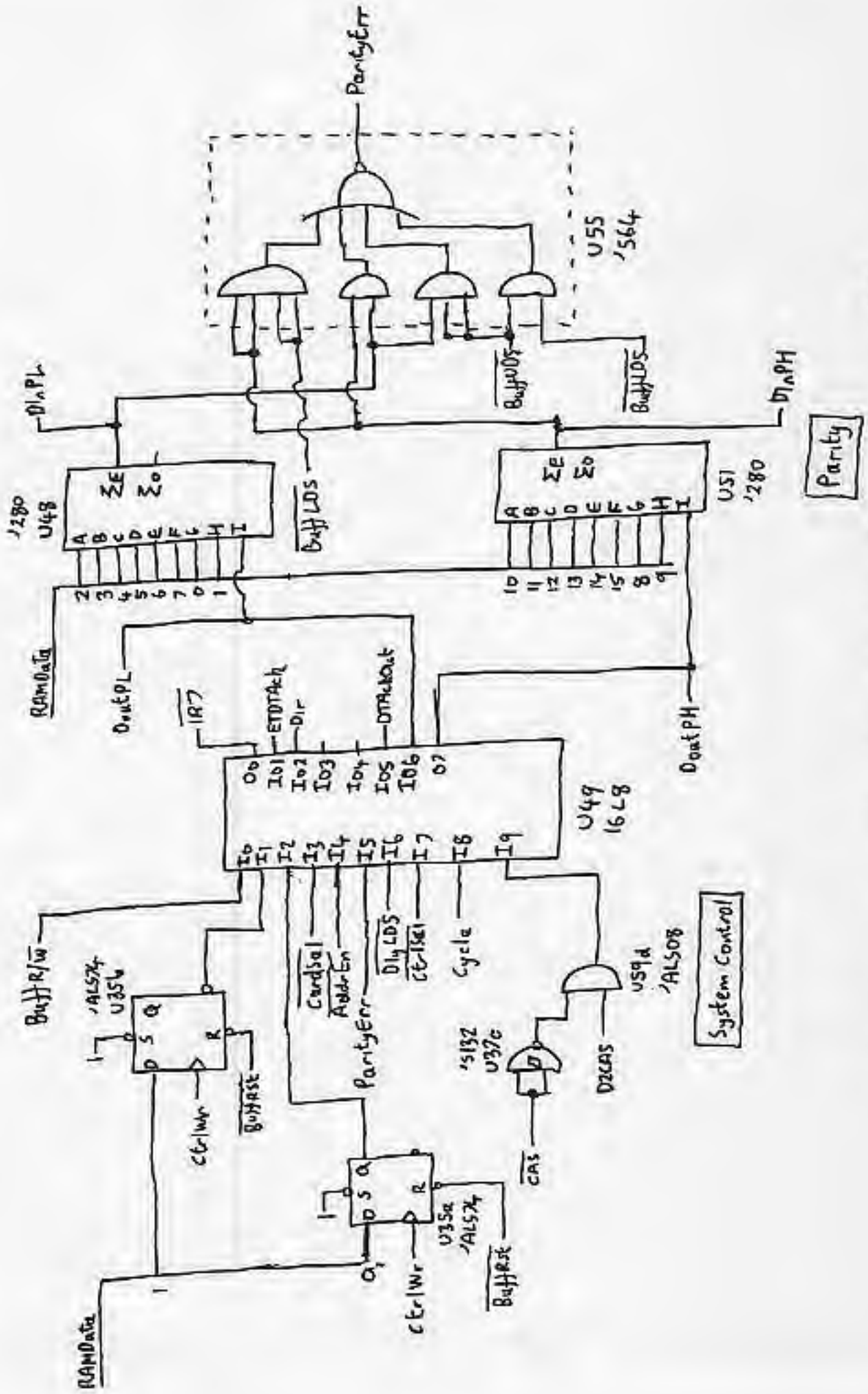
HP98257 1M Byte DIO RAM PCB Sheet (4)

RAM Controller

Refresh Timing

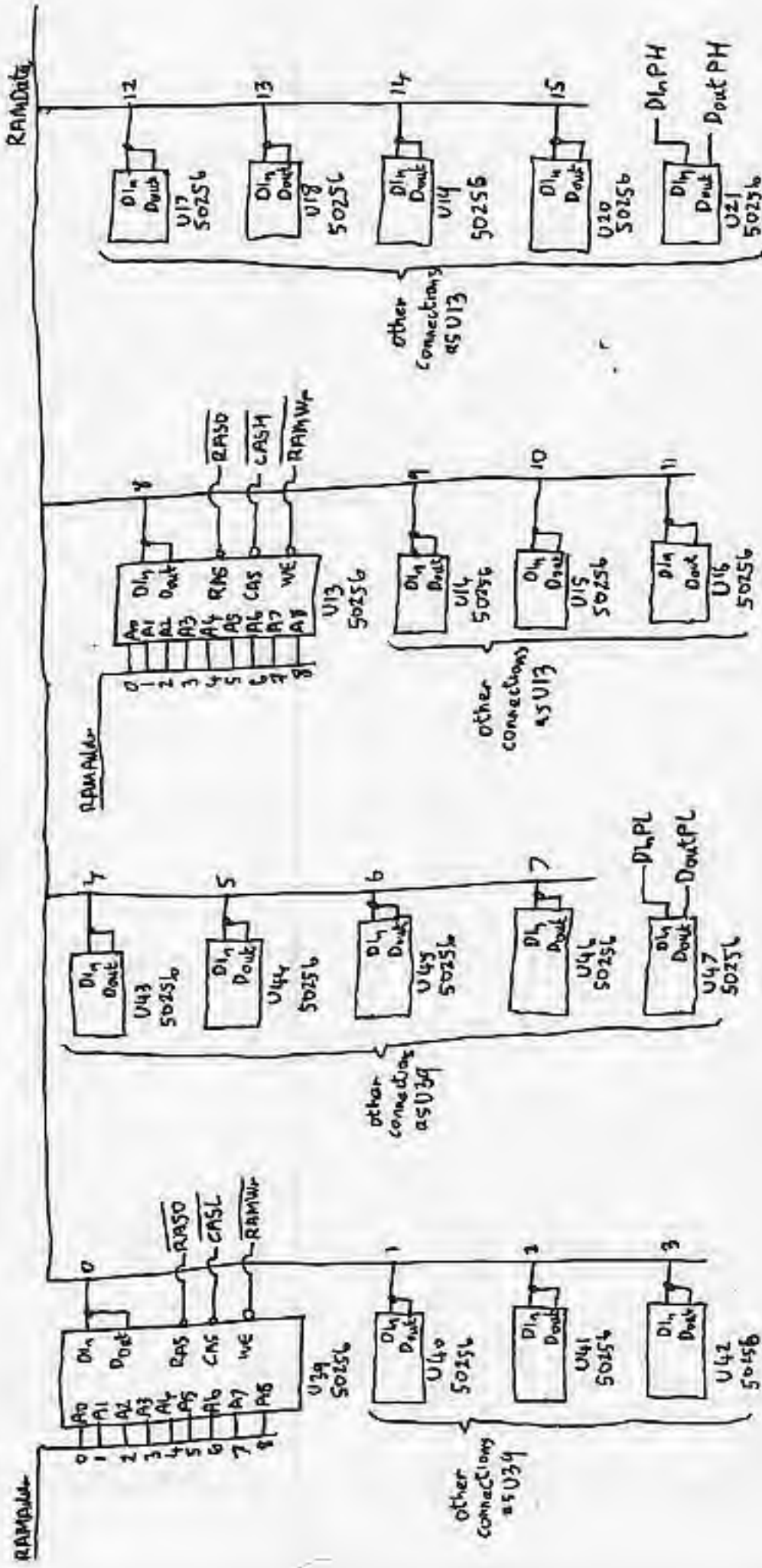


HP98257 1M Byte DIO RAM PCB Sheet 5 98257-66524



HP98257 1MByte D10 RAM PCB Sheet 6 98257-66524

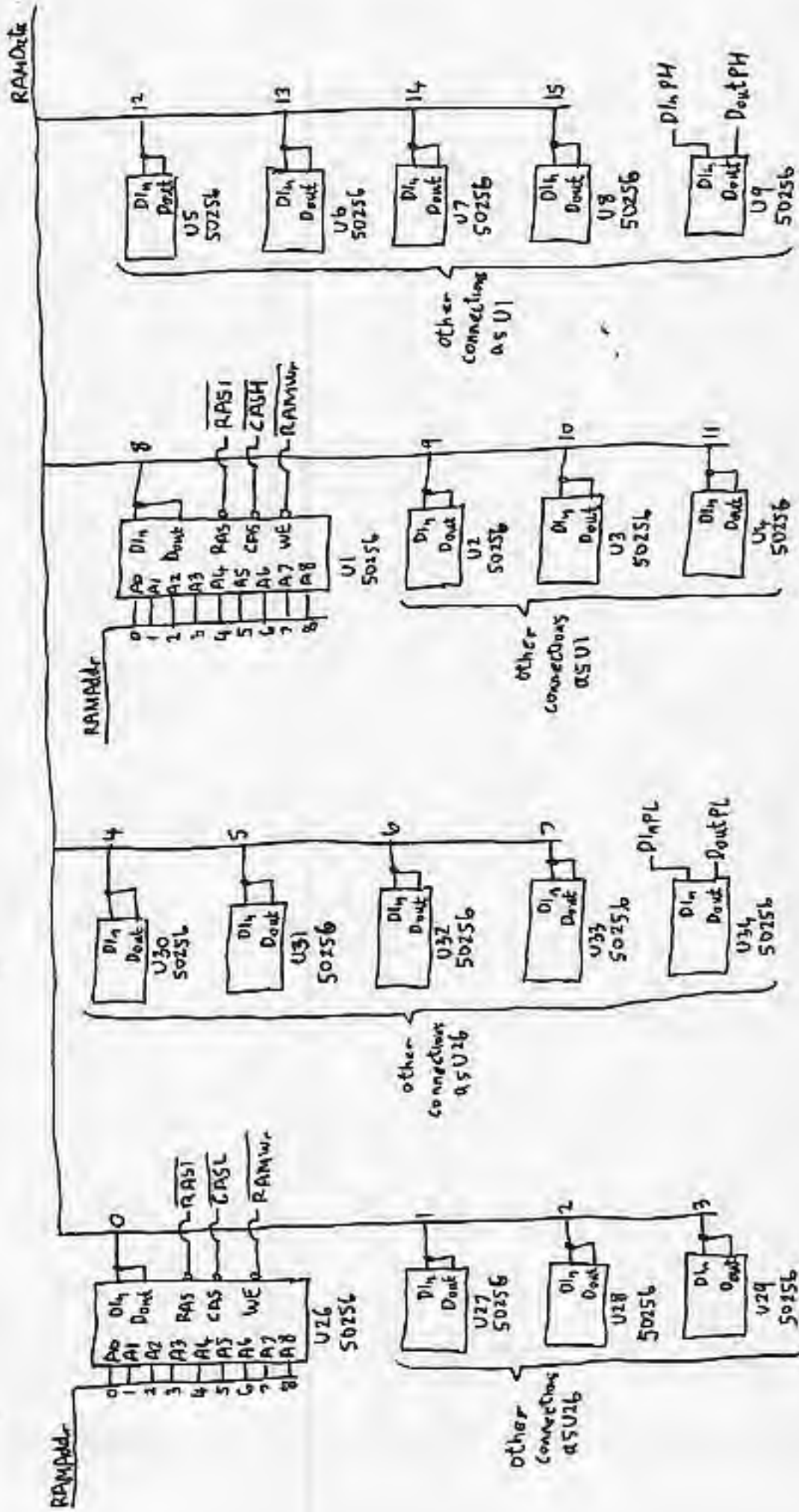




Low RAM Bank

98257-66524

HP98257 1M Byte D10 RAM PCB sheet 7



High RAM Bank