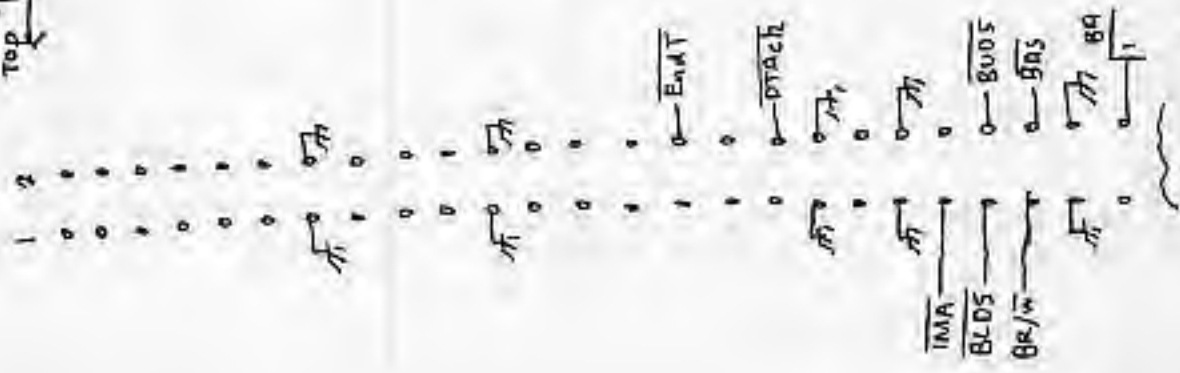
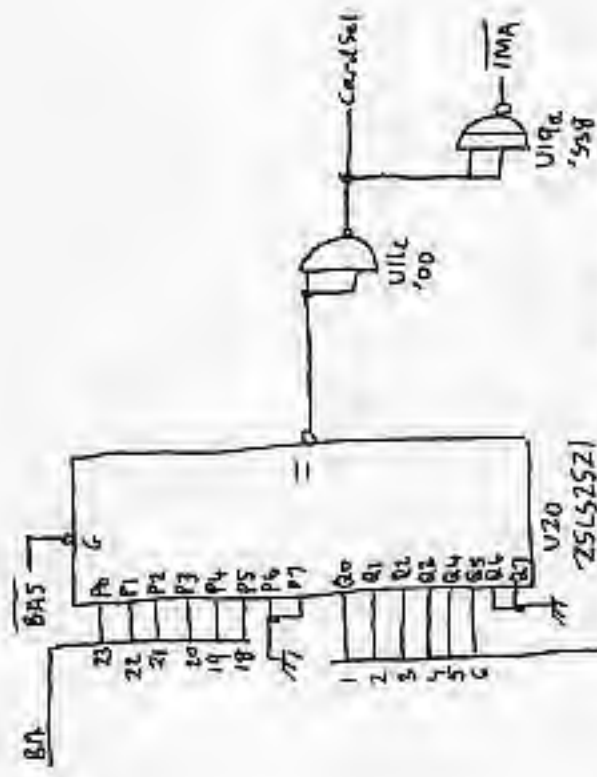
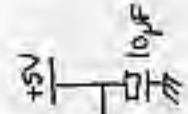
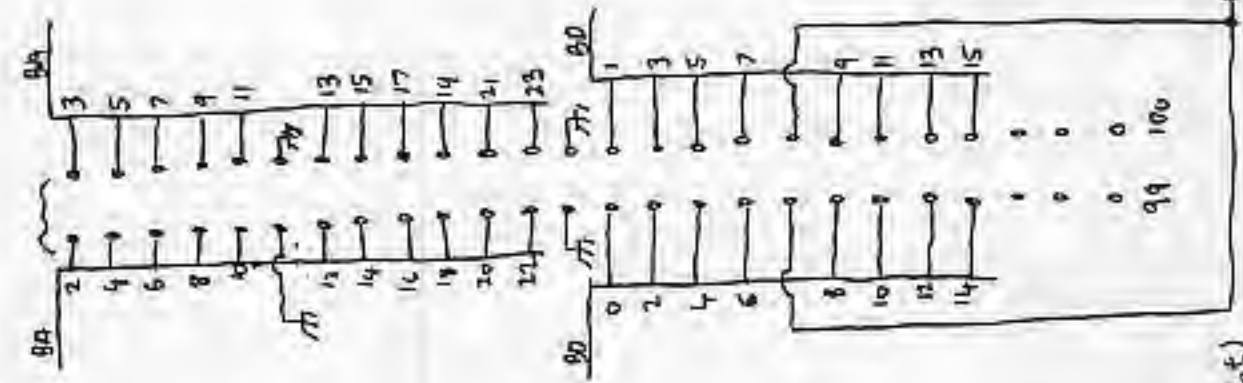


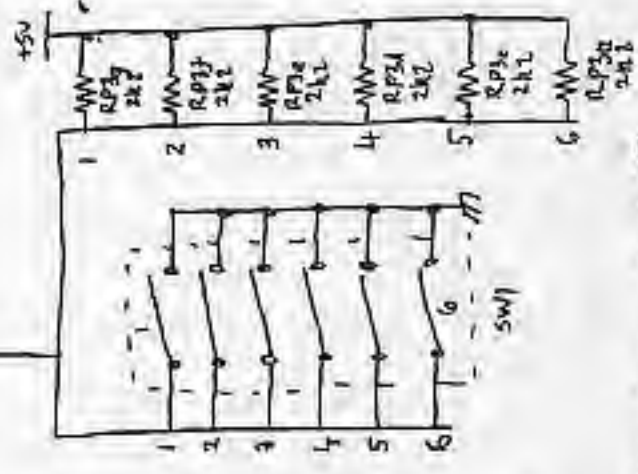
LHS  
top

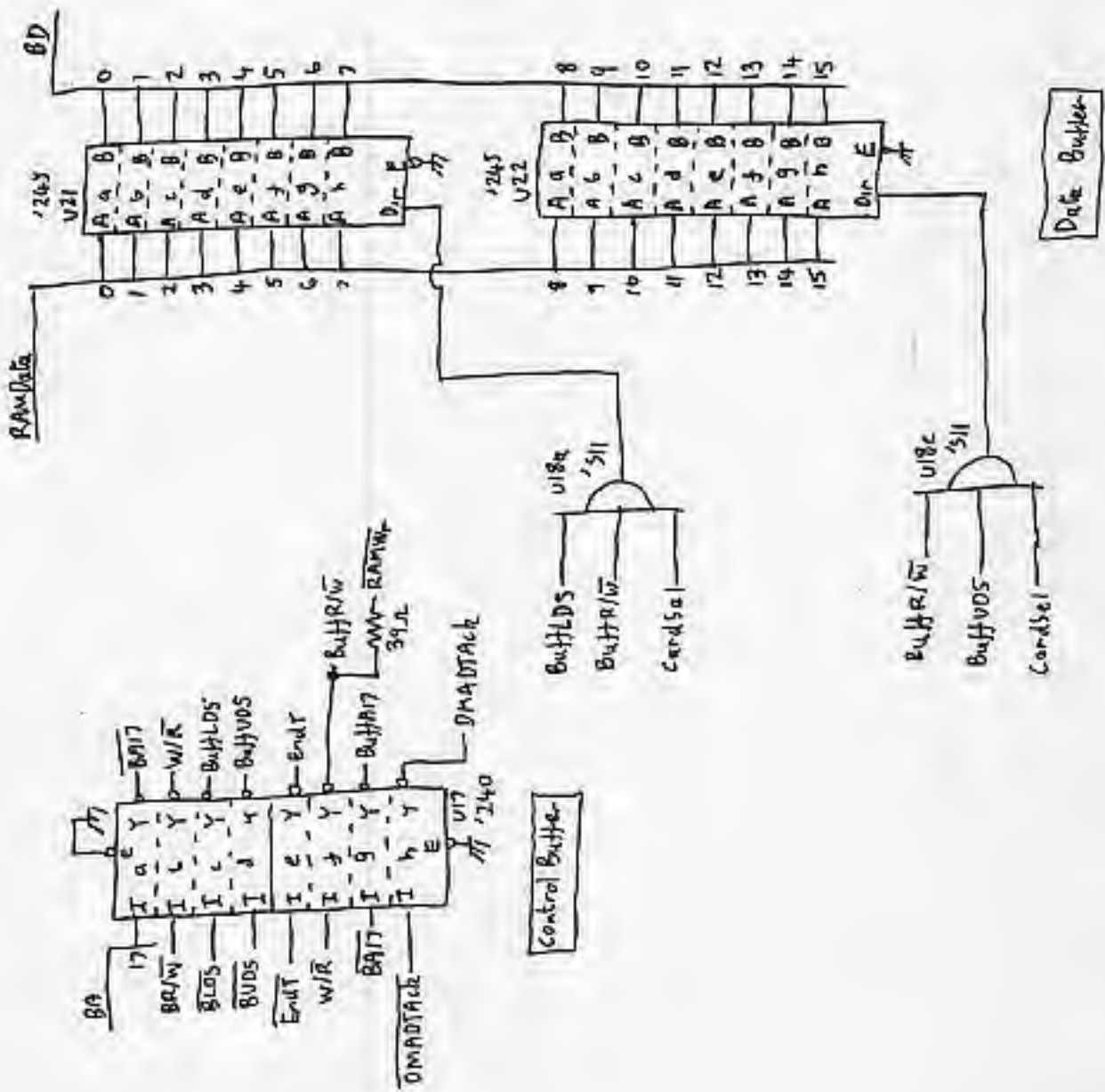


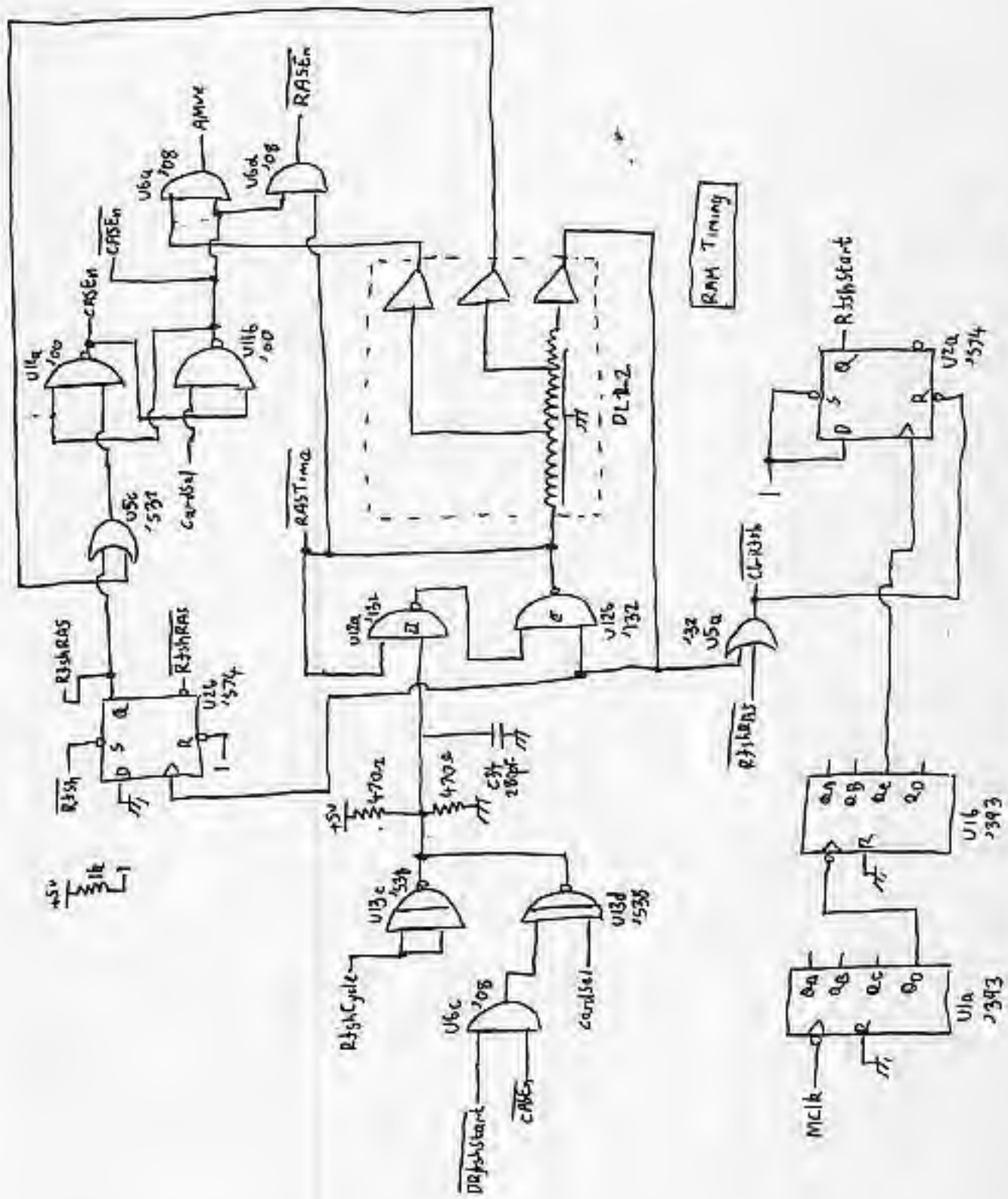
(PDI0 slot)

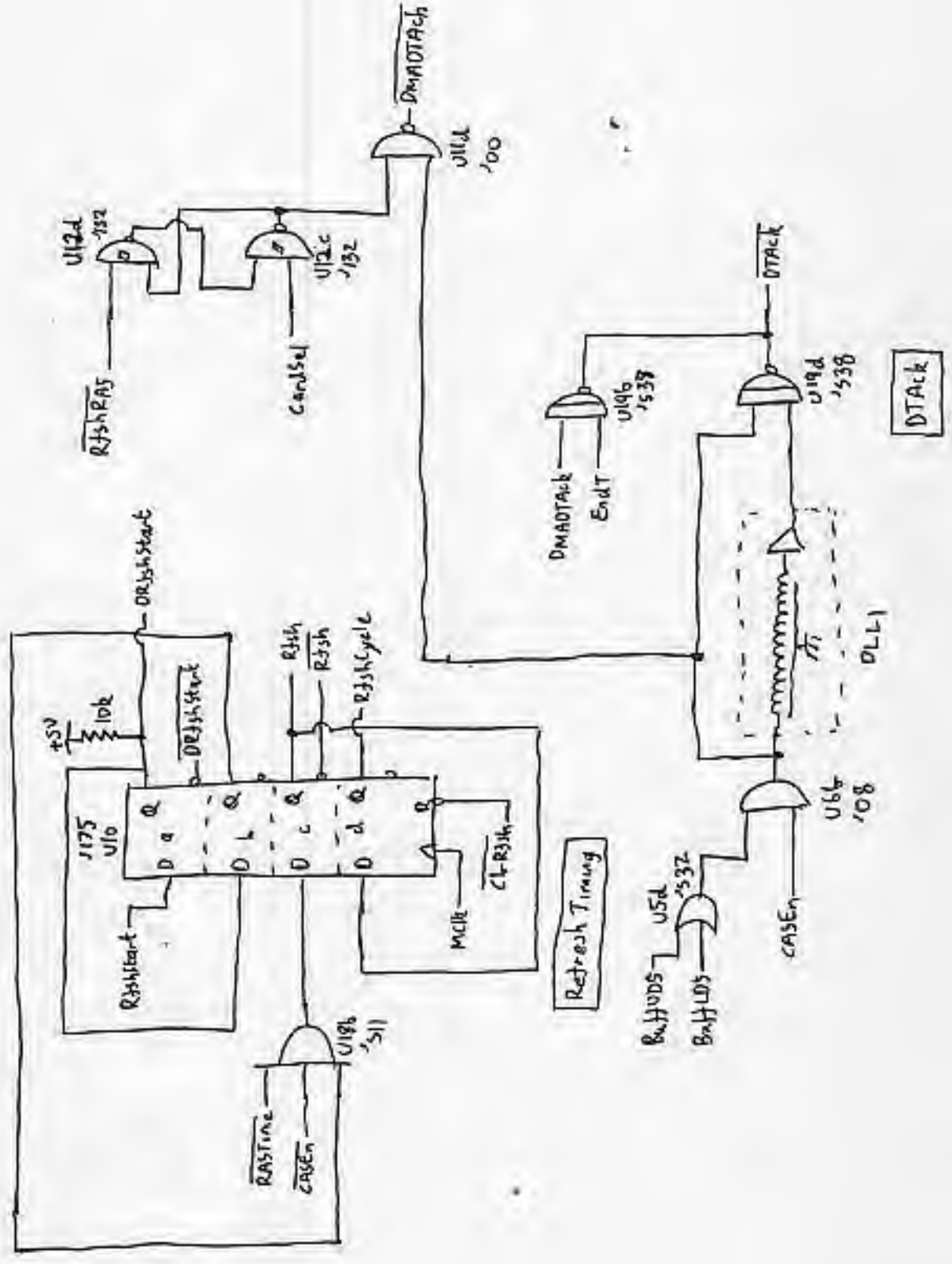


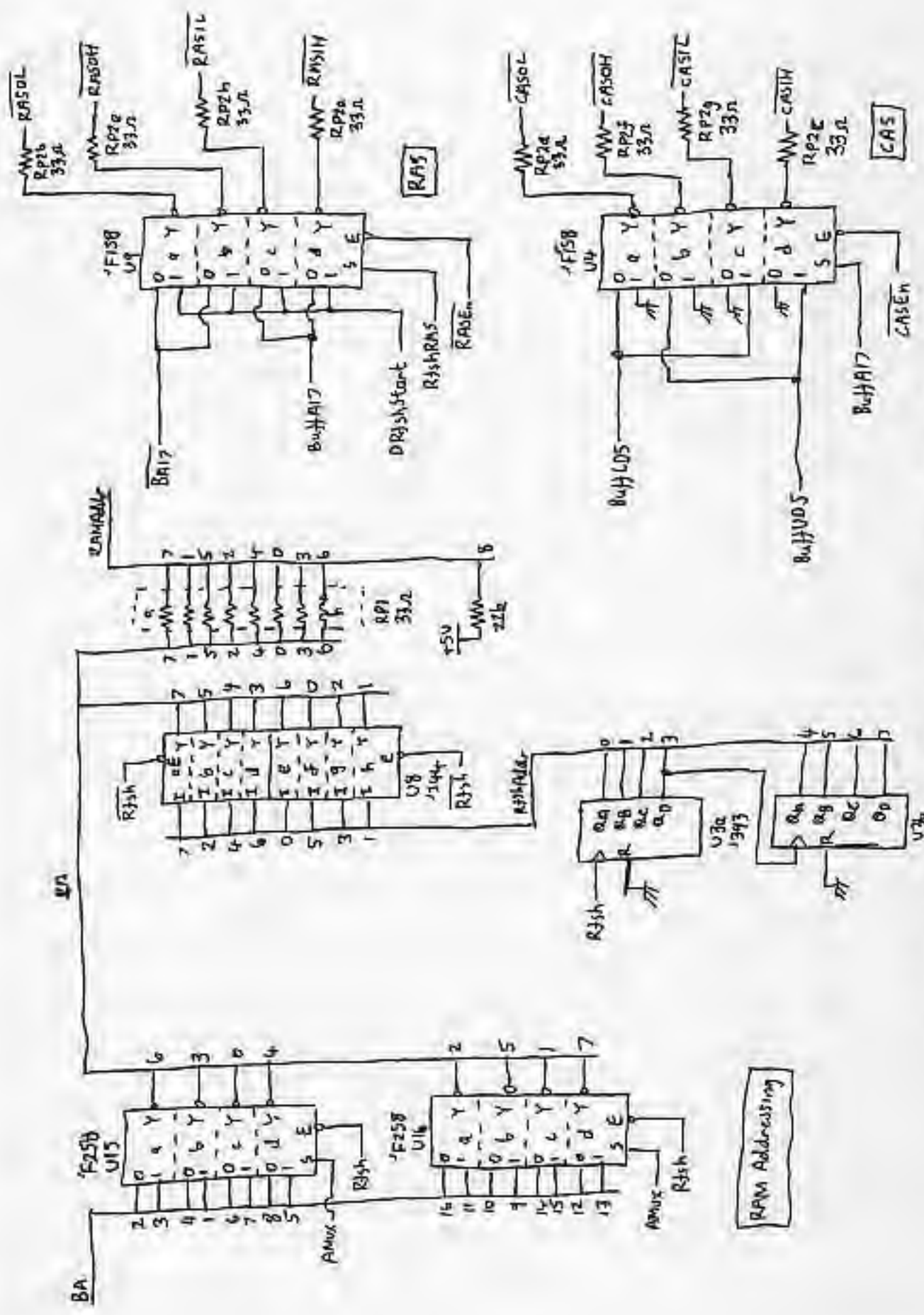
Card Select

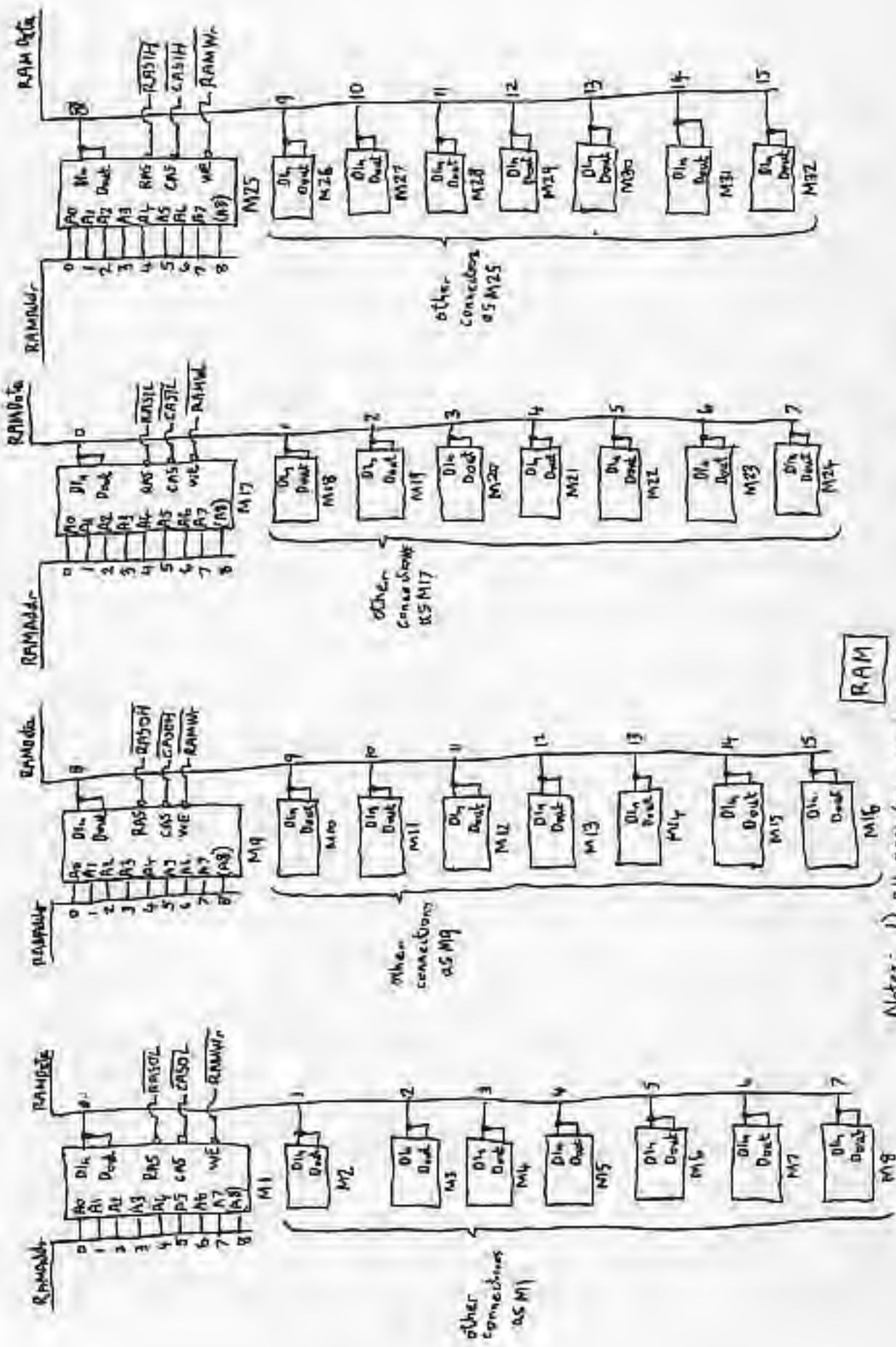












Notes: 1) All RAMs (M1-M32) = 416K

2) M1, M9, M17, M25 towards bottom (connector) edge of PCB