

HP11284

LHS  
 ↑ → Top

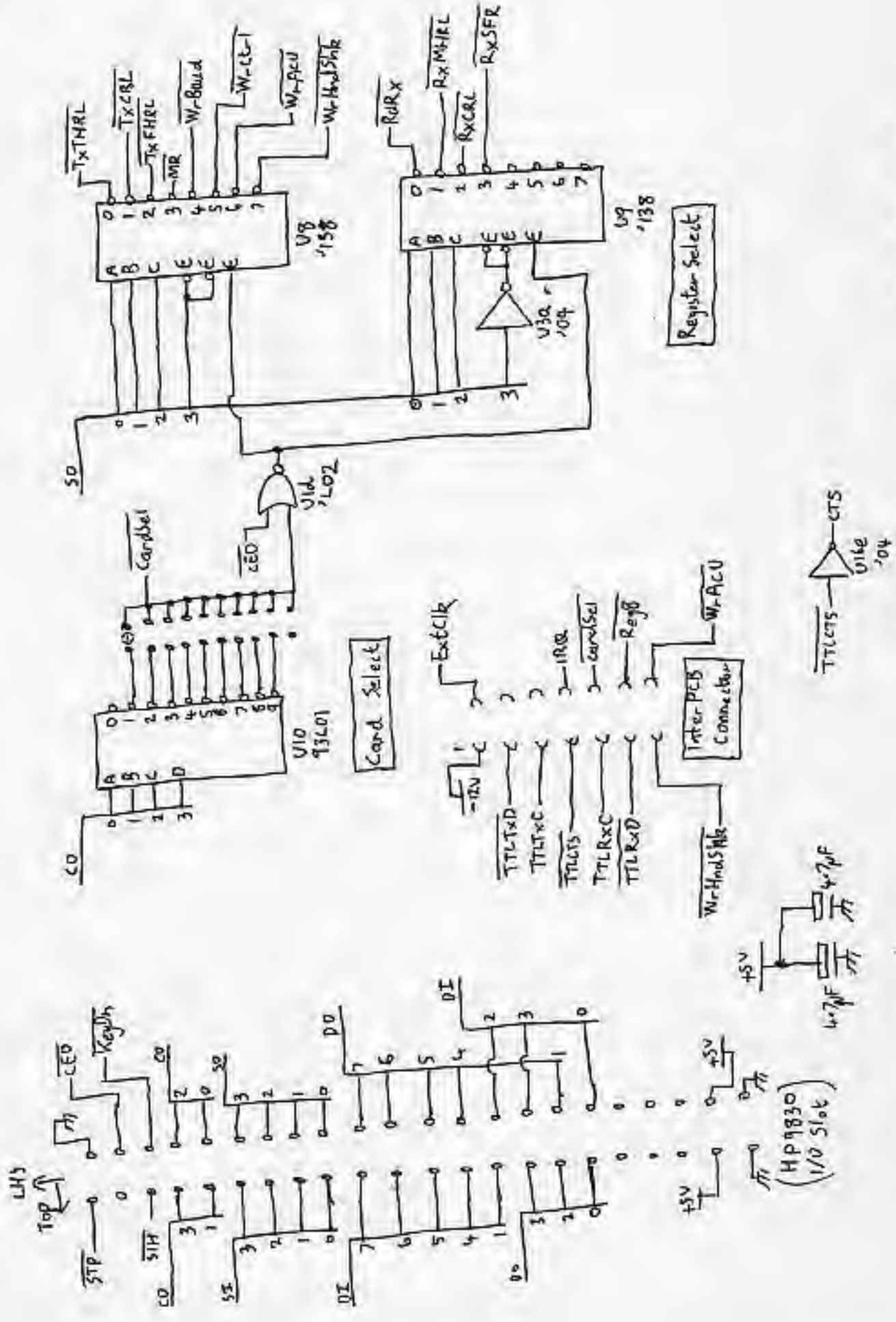
OT1 - C	↔	OT3
OT2 - C	↔	SRTS
CRQ - C	↔	RTS
DPR - C	↔	DTR
NB1 - C	↔	TxC1k
NB2 - C	↔	TxD
NB4 - C	↔	STxD
NB8 - C	↔	
SCTS - C	↔	CTS
SCD - C	↔	DJR
SRD - C	↔	DCD
DLD - C	↔	RI
COS - C	↔	
PWI - C	↔	SRxD
PND - C	↔	RxC
AGR - C	↔	RxD
Gnd (Drain) - C	↔	Gnd (Drain)
Gnd - C	↔	Sig Gnd

Interface PCB  
 Cable Connector

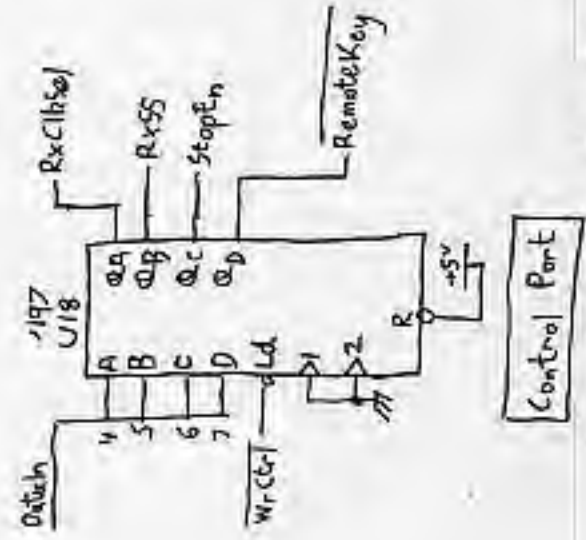
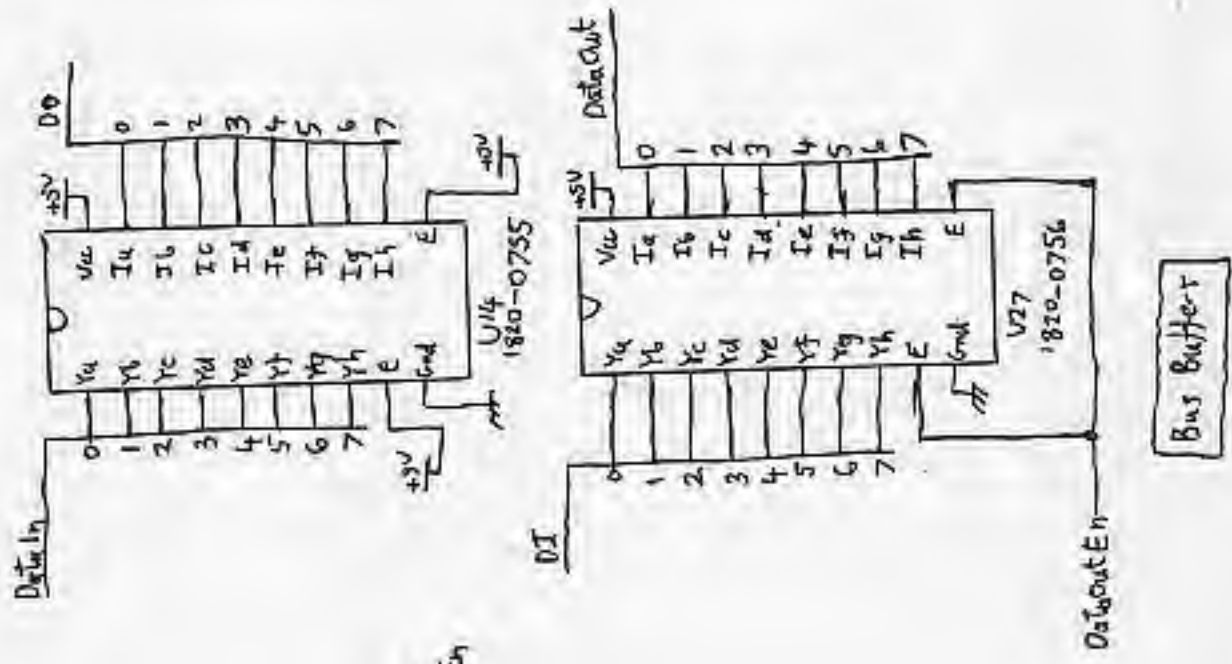
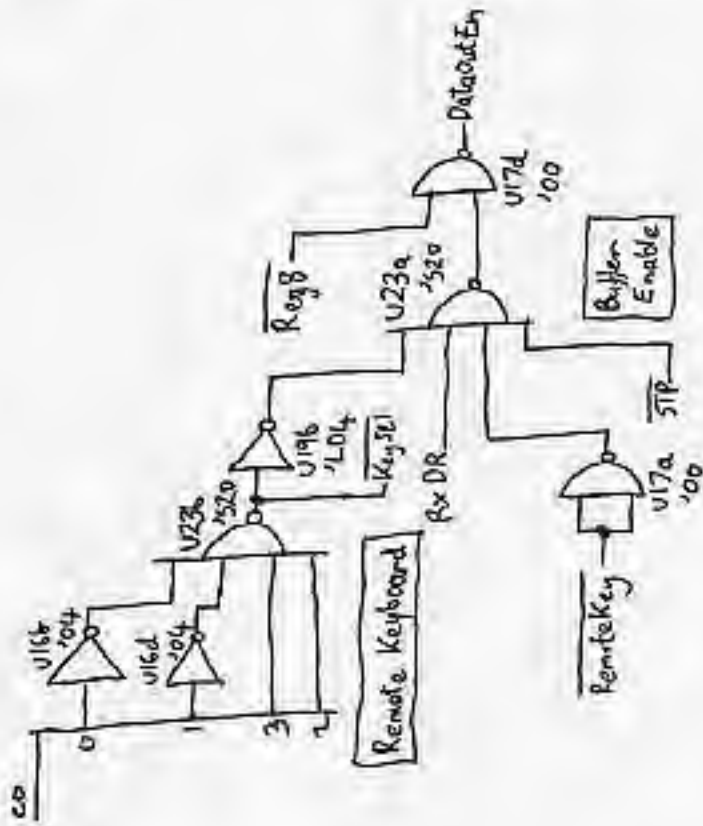
on Interface PCB

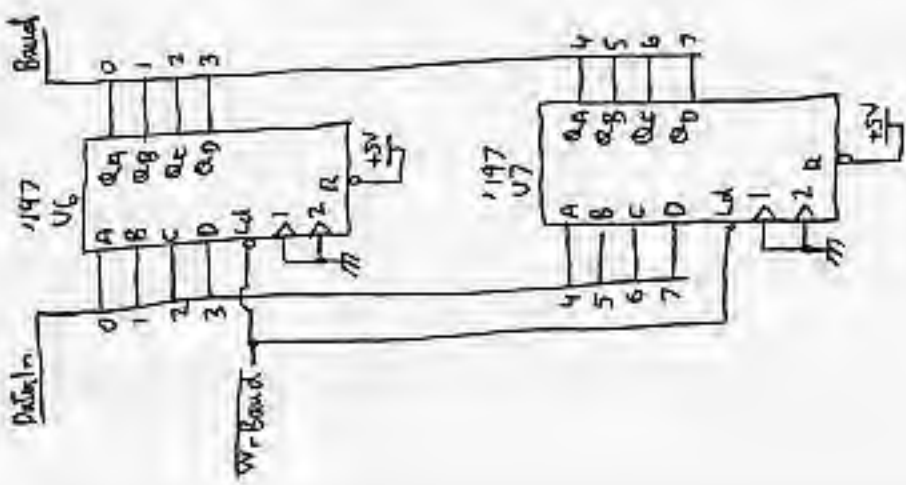
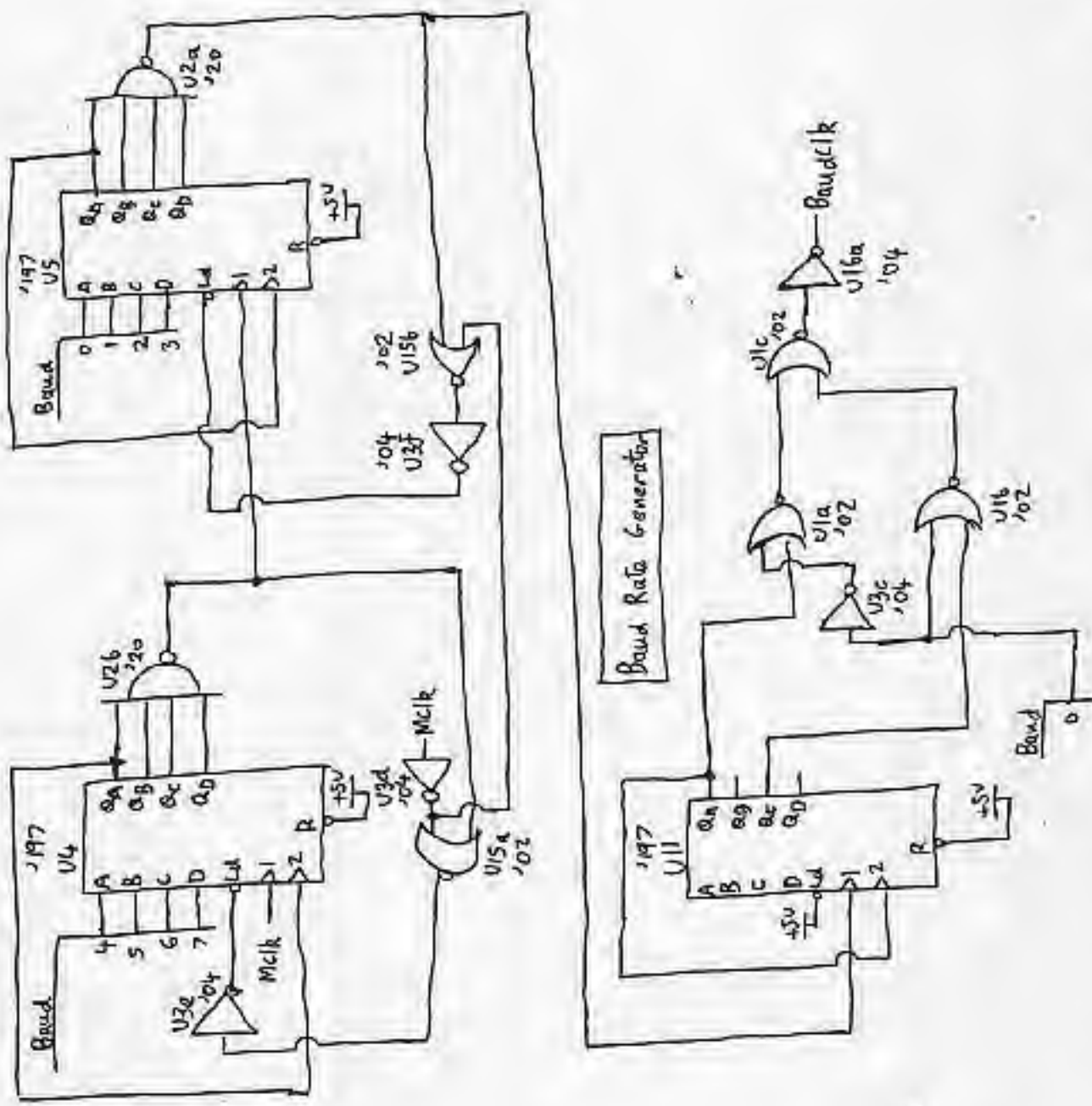
W-ACU - C	↔	W-HandShk
ReqB - C	↔	TTLRxD
CardSel - C	↔	TTLRxC
IRQ - C	↔	TTLCTS
	↔	TTLTxC
	↔	TTLTxD
ExtClk - C	↔	-12V

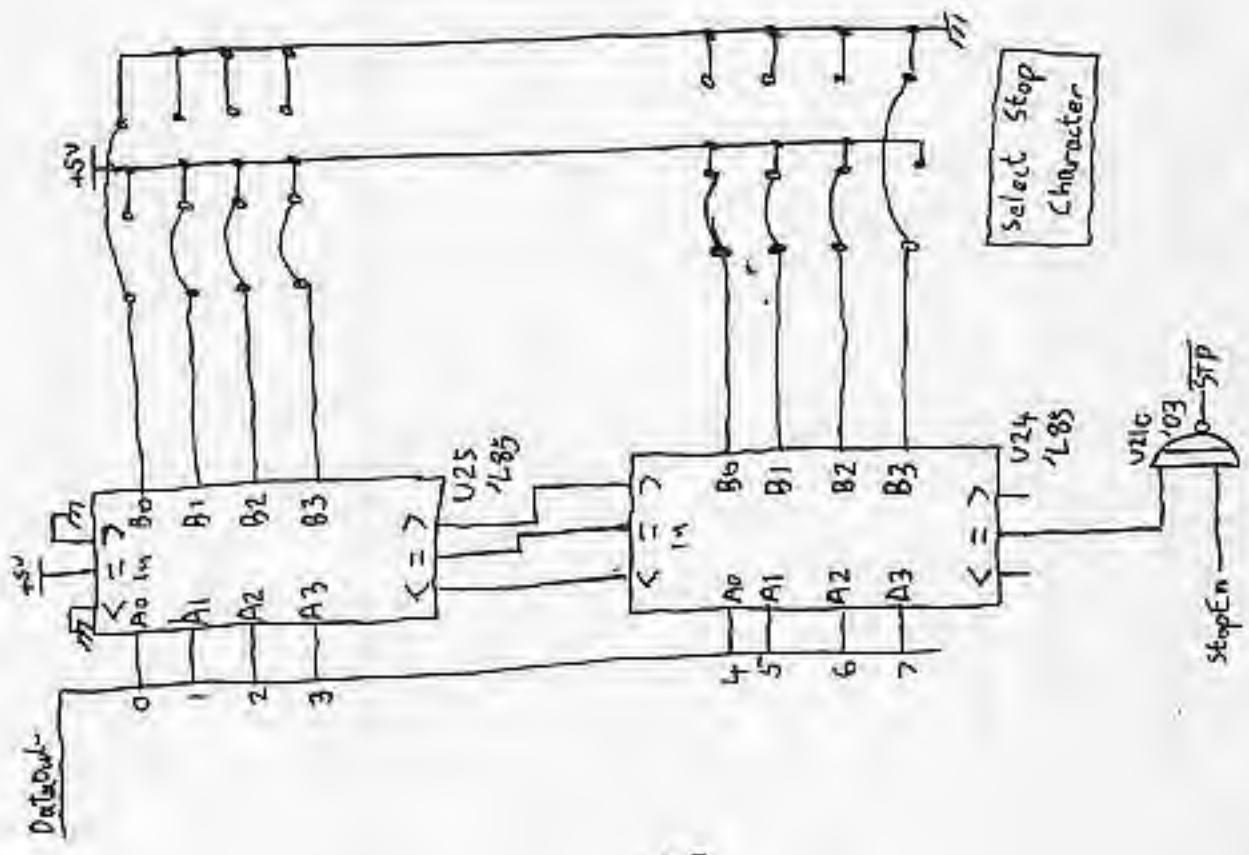
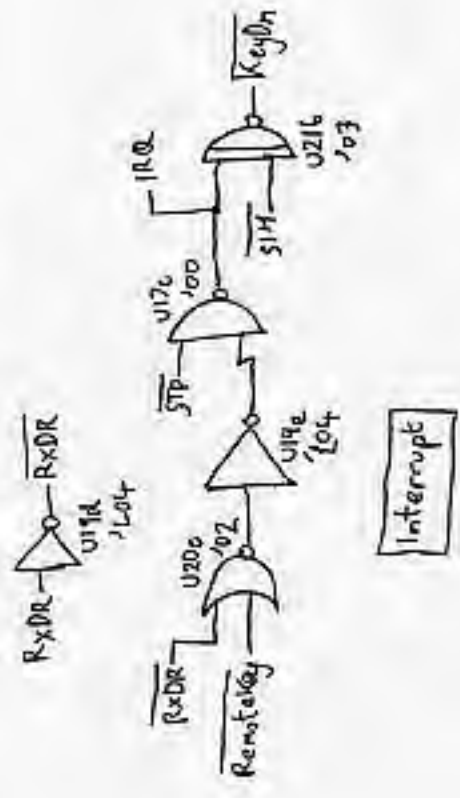
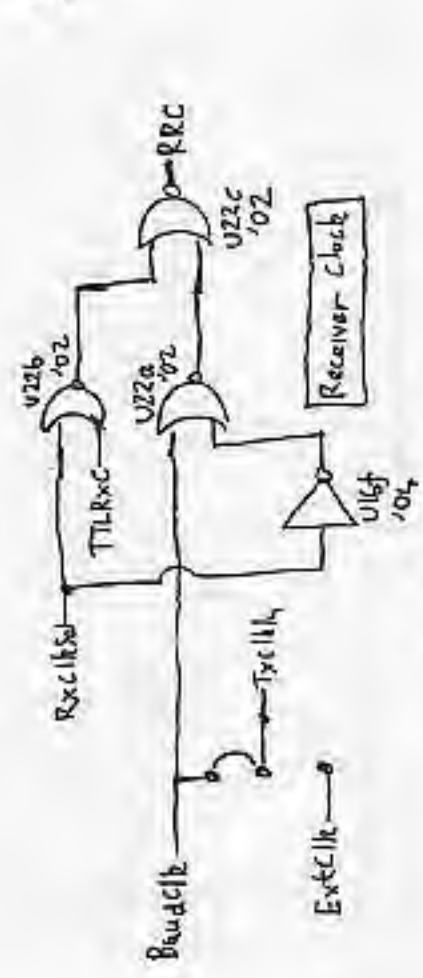
Inter-PCB  
 connector

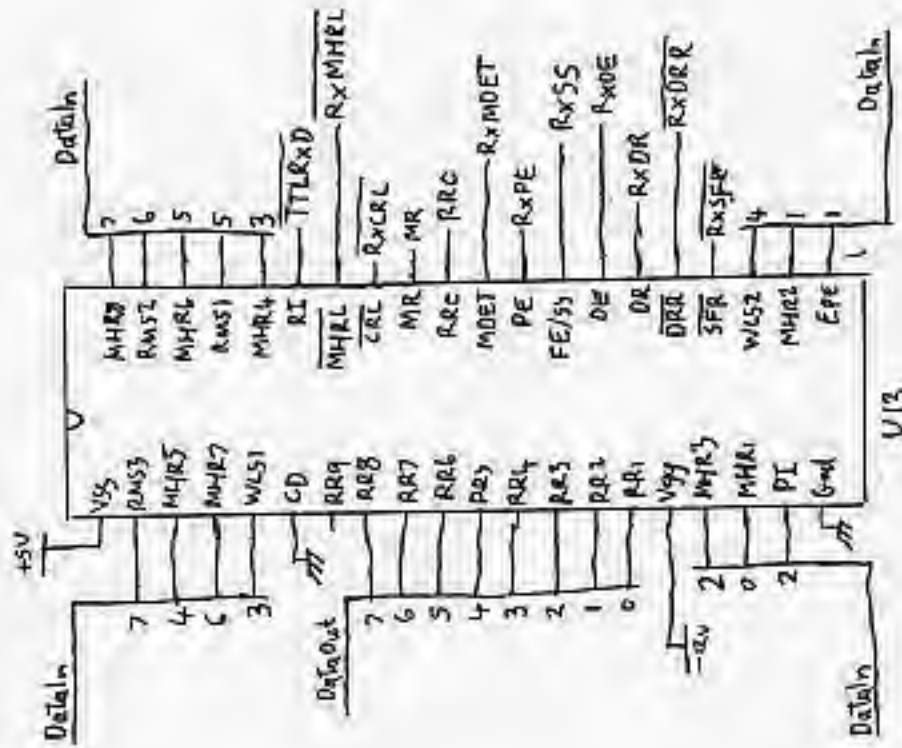


HP 11284 Data Communication Interface  
 Transmit/Receive PCB sheet 1 11284-66591

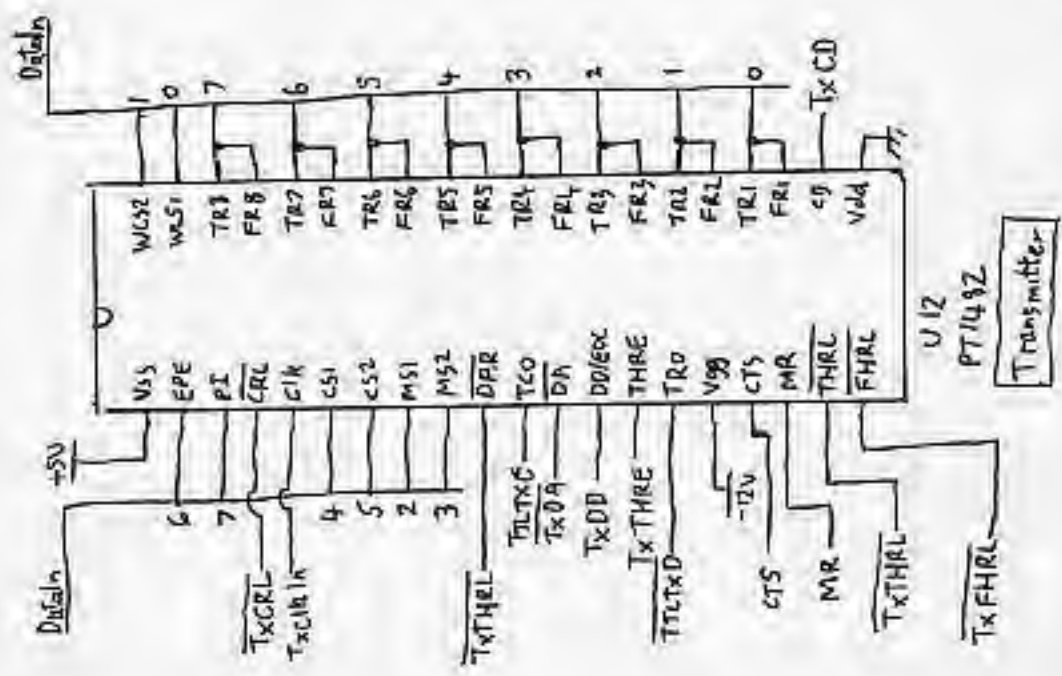




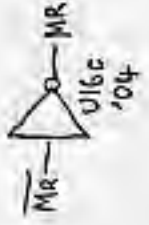


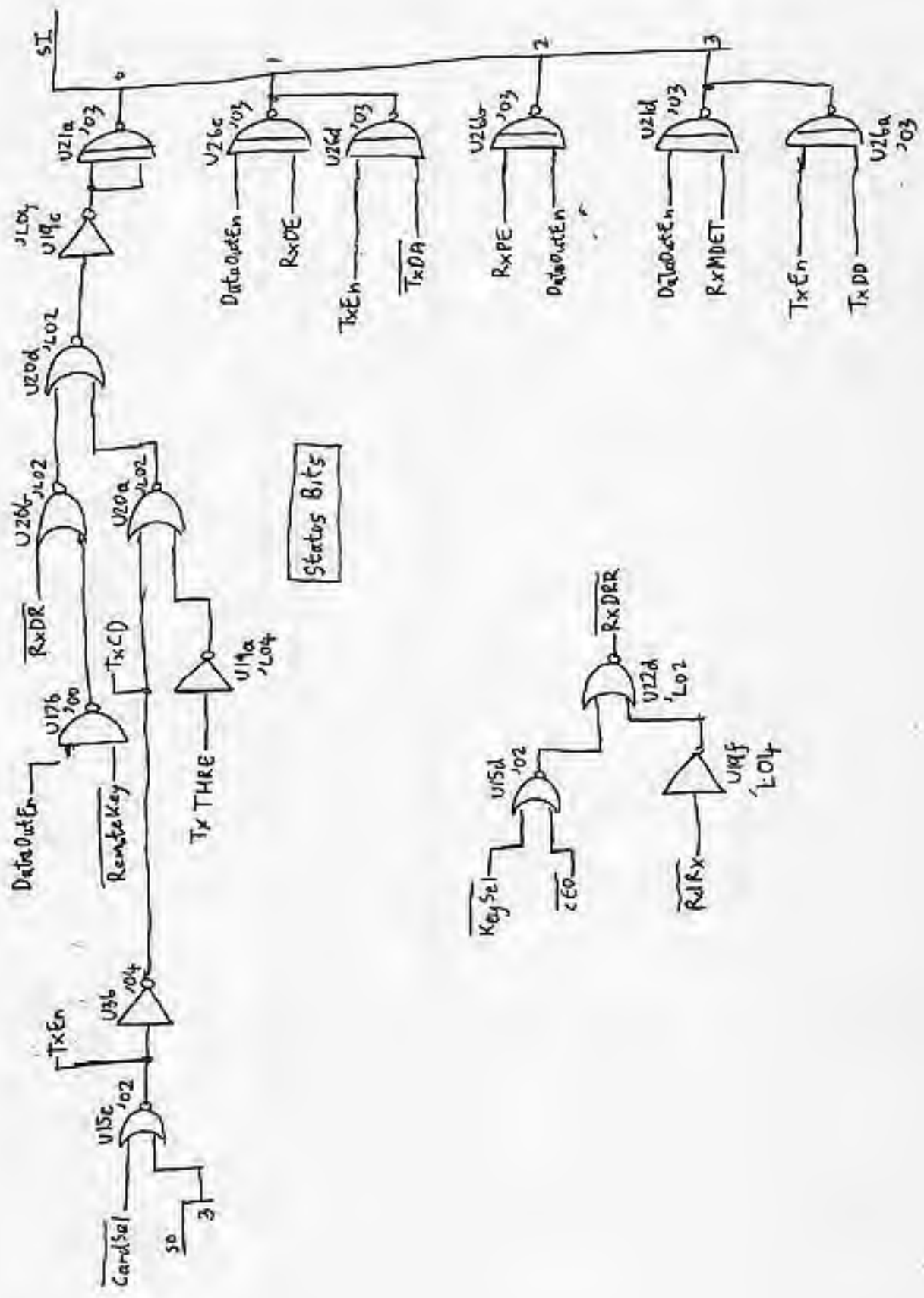


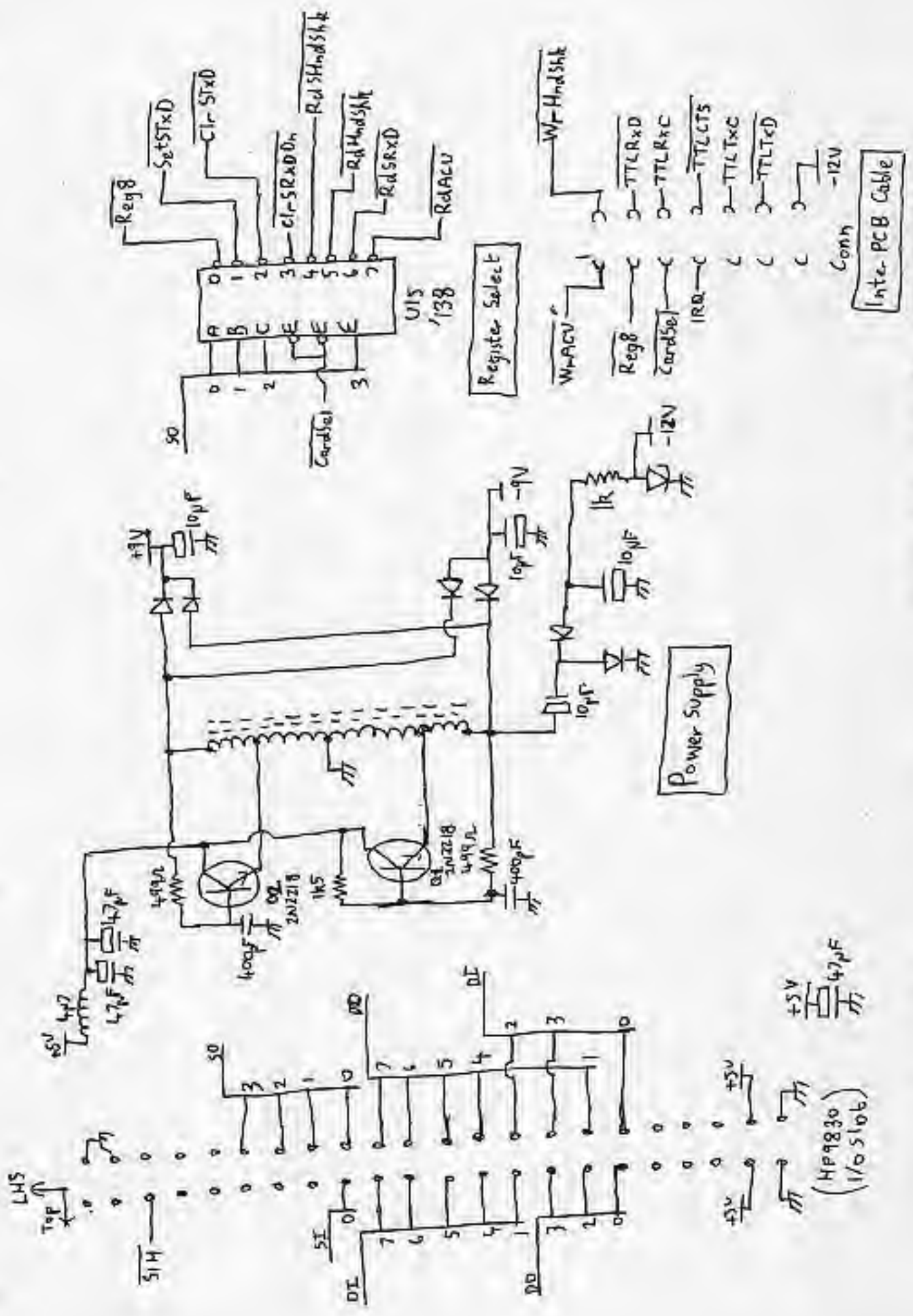
PR1472  
Receiver



U12  
PT1492  
Transmitter





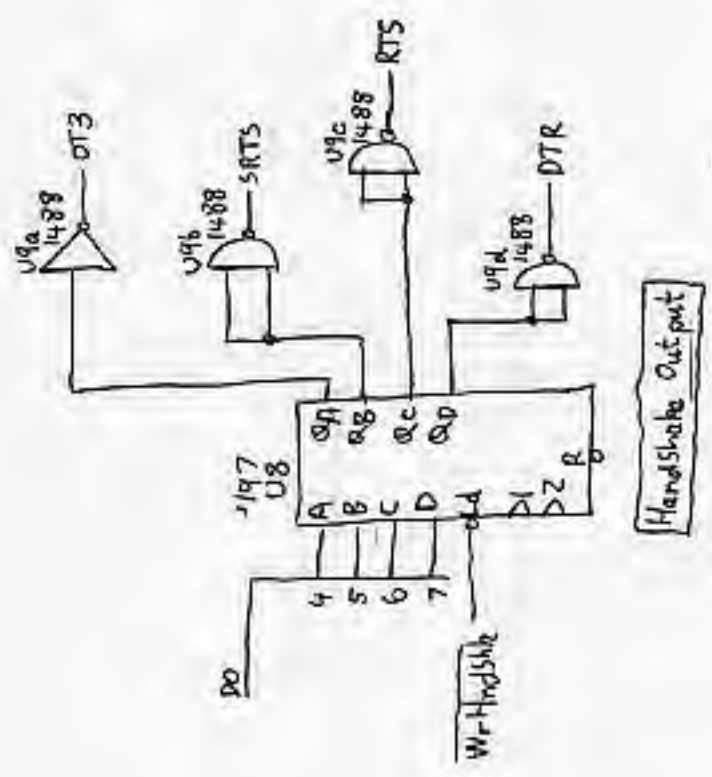
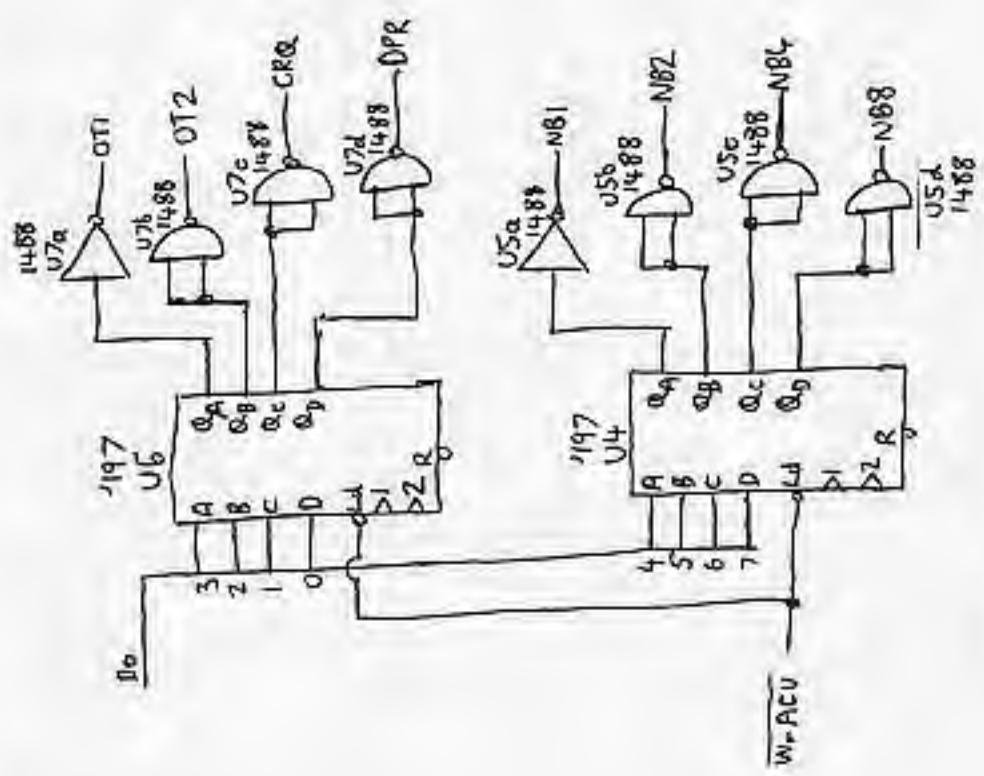


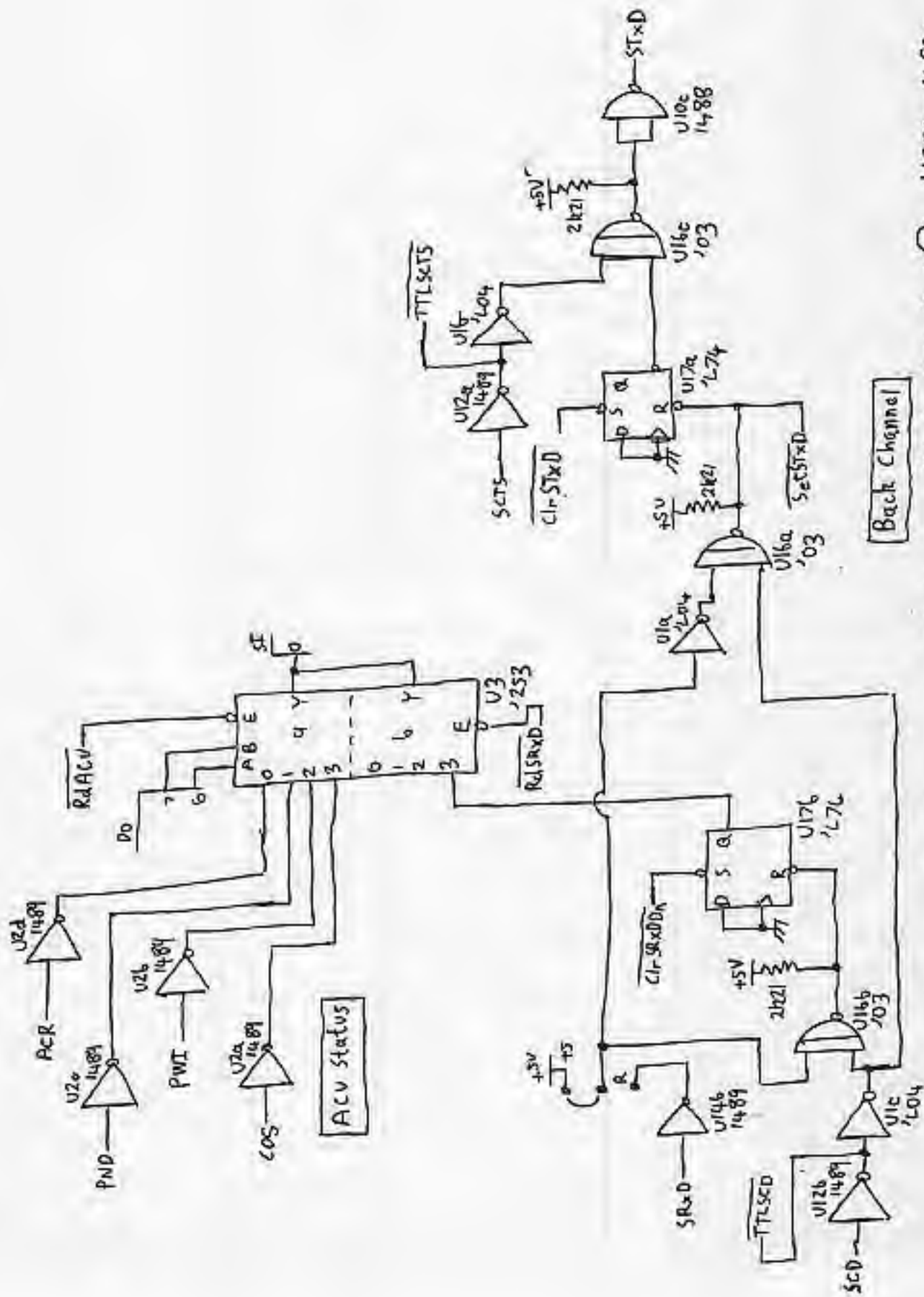
HP1284 Data Communication Interface

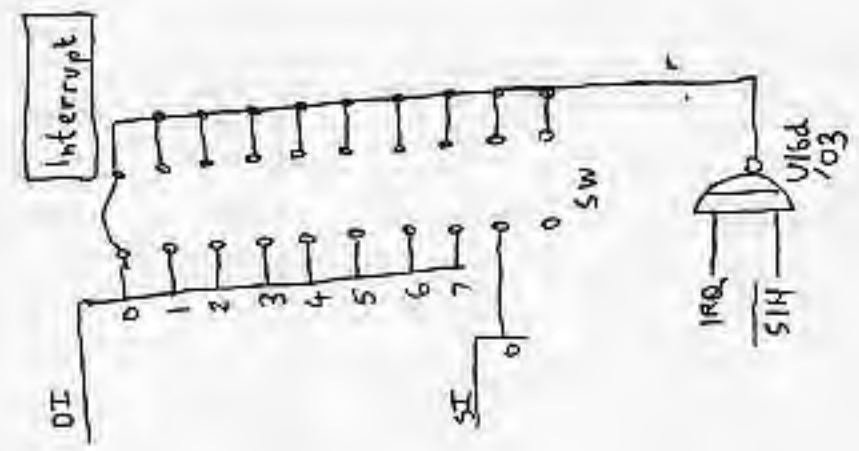
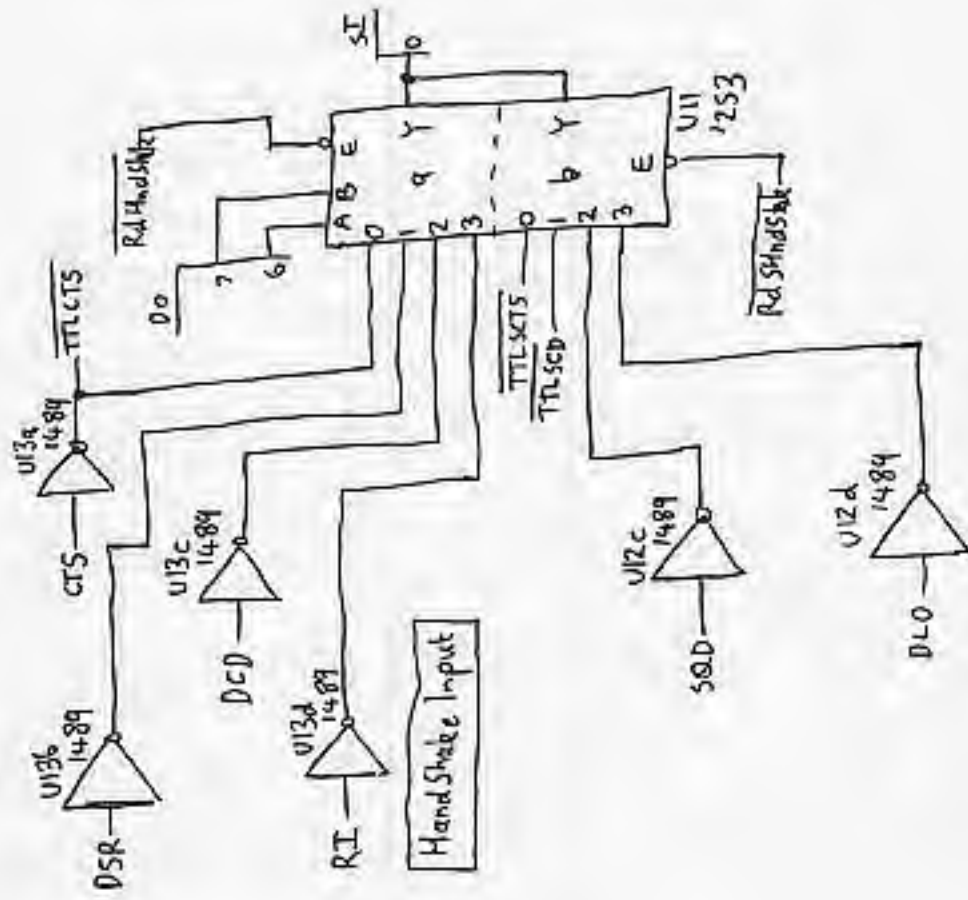
Interface PCB sheet 1

11284-66592





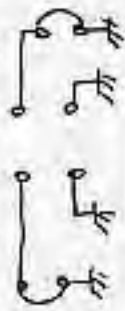




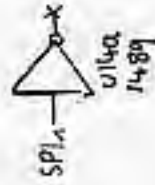
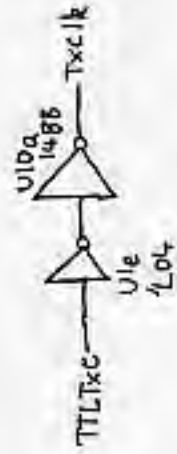
LHS

↗ Top

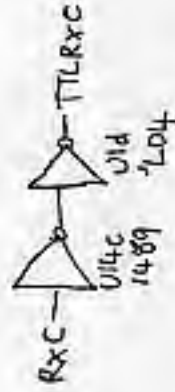
- DT1 → 0
- DT2 → 0
- CRQ → 0
- DPR → 0
- NB1 → 0
- NB2 → 0
- NB4 → 0
- NB8 → 0
- SCTS → 0
- SCD → 0
- SQD → 0
- DLO → 0
- COS → 0
- PWI → 0
- PND → 0
- ACR → 0
- 0-RTS
- 0-DTR
- 0-TxCiH
- 0-TxD
- 0-STxD
- 0-Spout
- 0-D5R
- 0-DCD
- 0-RI
- 0-SPI<sub>in</sub>
- 0-SRxD
- 0-RxC
- 0-RxD

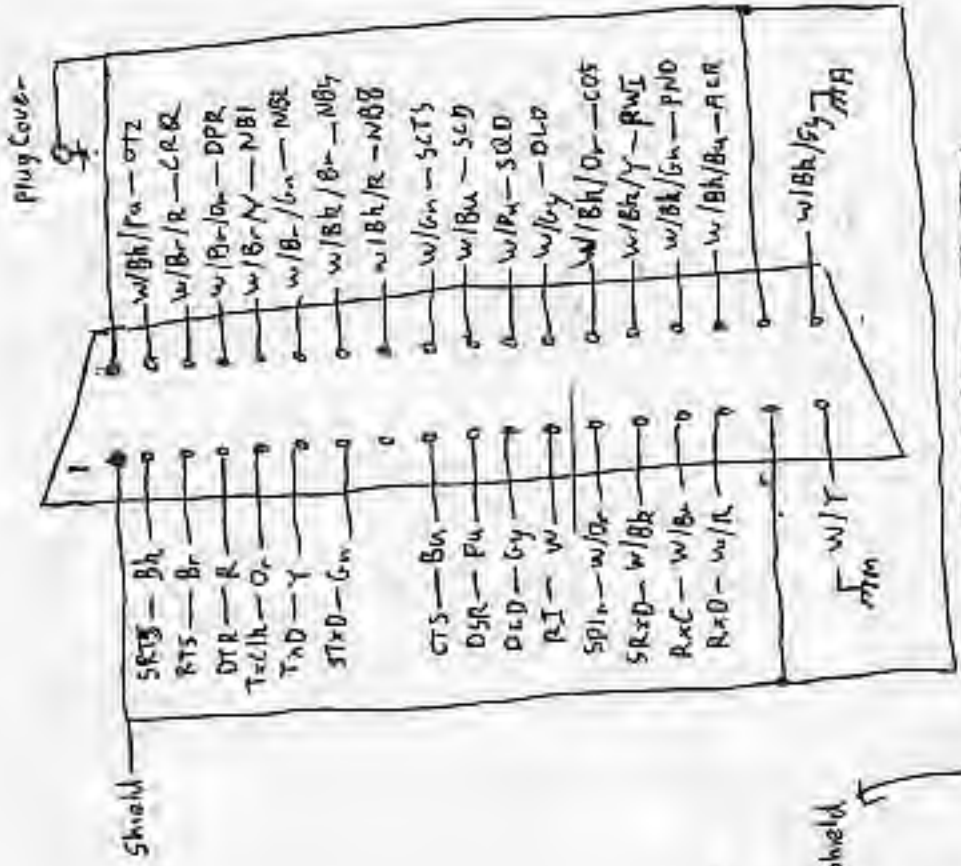


Modem/ACU Connector



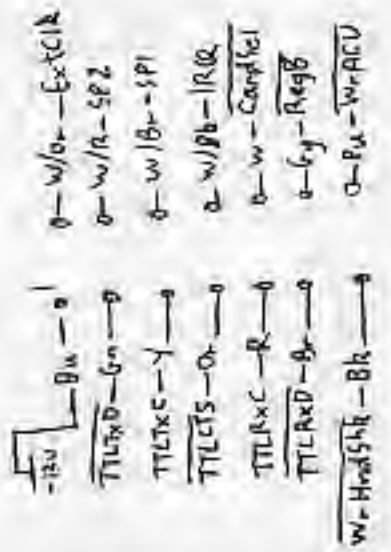
Data Buffers





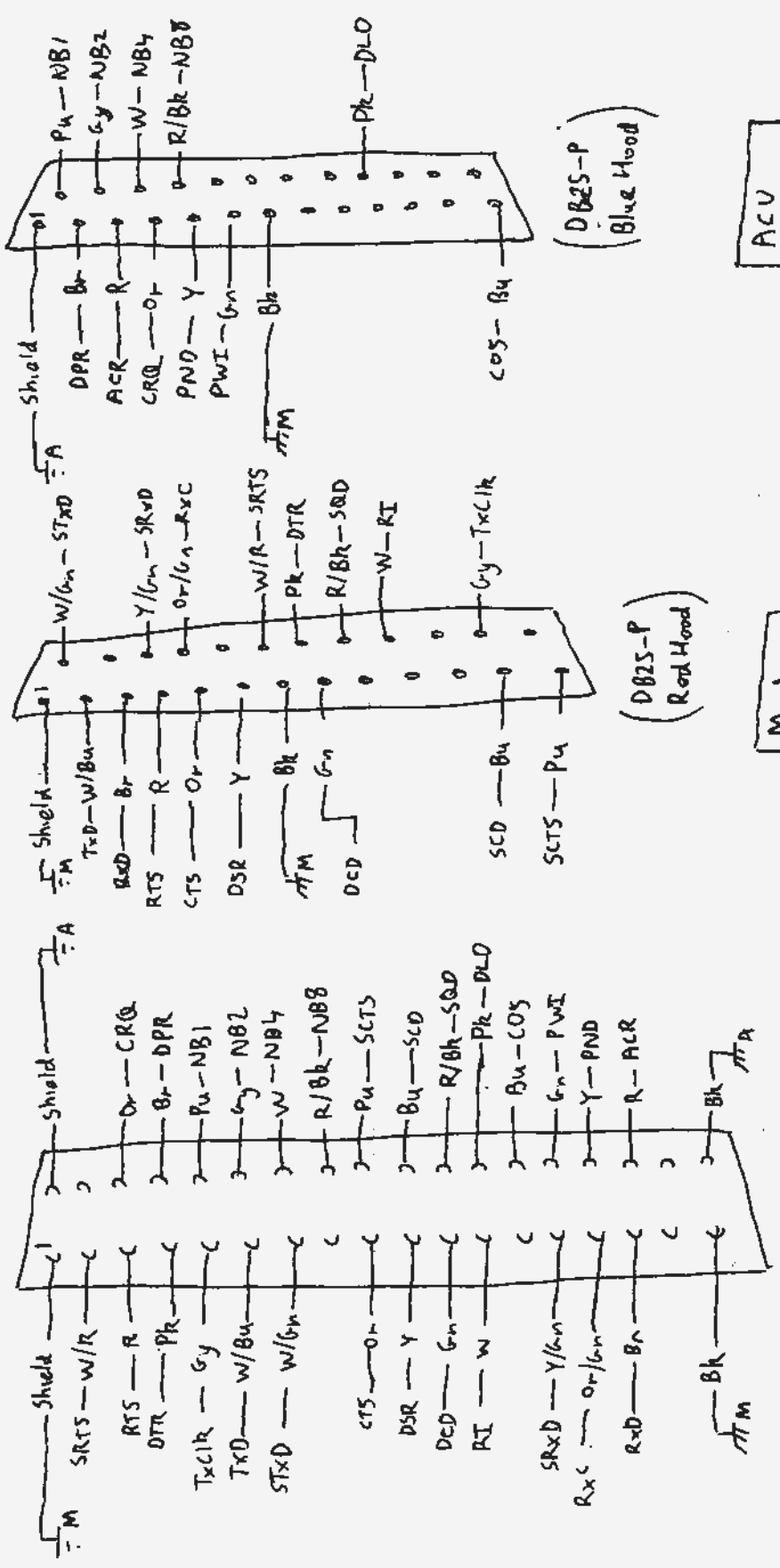
Modern Cable Connector  
(36 pin Microribbon)

Interface PCB  
Connectors



Transmit/Receive PCB  
Connector

HP11284 Interconnection Harness



36 Pin  
(Microribbon)

1284 Connector

Modem  
Connector

DB25-P  
(Blue Hood)

ACU  
Connector

ARD's wiring, not  
HP colours