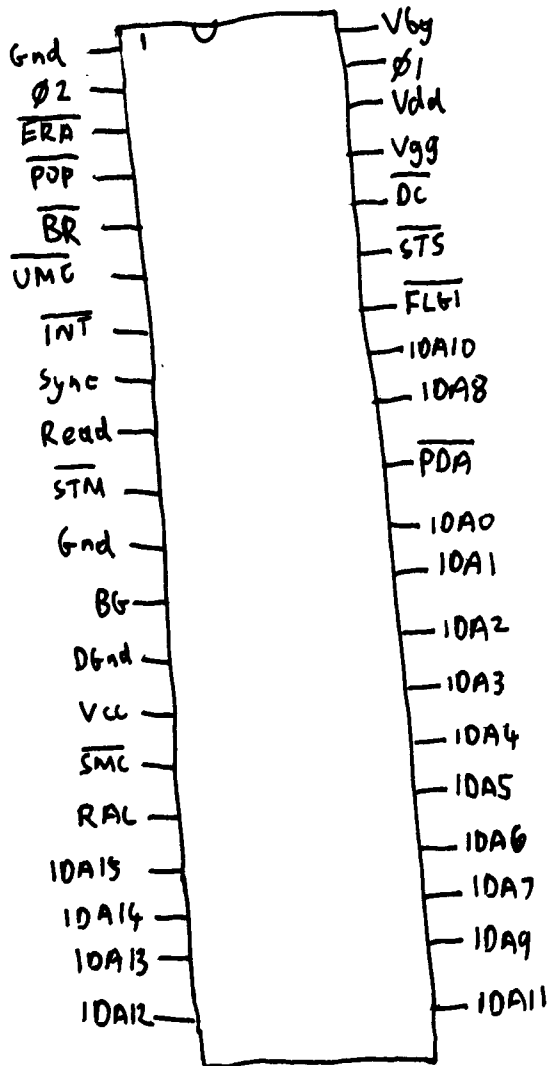


HP 7245A Printer/Plotter

MP7245A

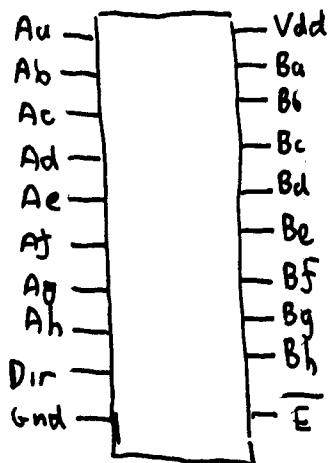
Processor

1818-2500



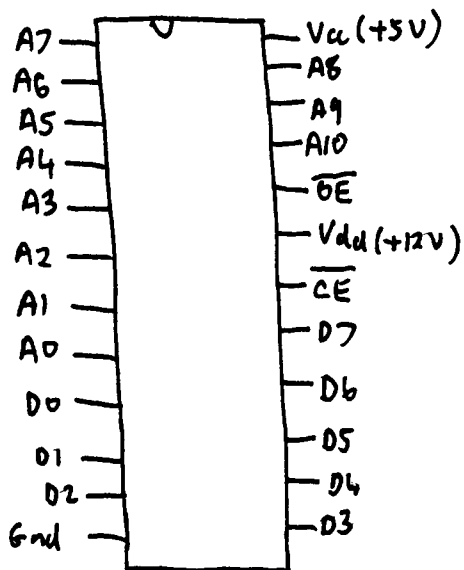
1820-1584

Octal Inverting Bus Transceiver

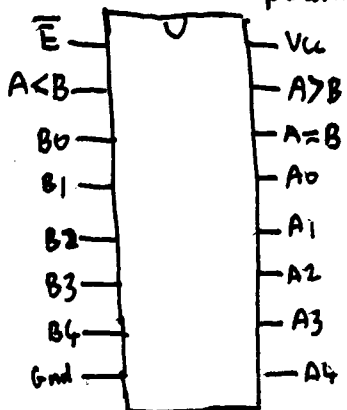


Dir	$\overline{E}$	
x	H	High Z A, B
H	L	B → A
L	H	A → B

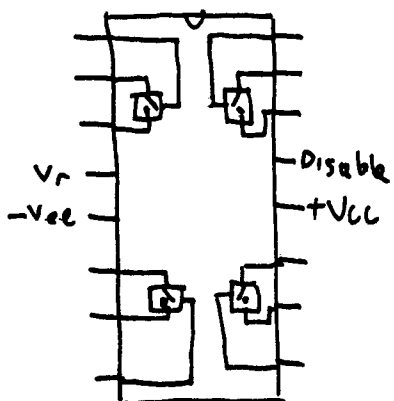
9216  
2K x 8 ROM



93L24  
5 bit Comparator



LF13331  
Quad Analogue Switch (N.O.)



# HP7245A Backplane

← LHS ↑ RCH

Gnd-C } Gnd  
 +26V-C } -26V  
 +12V-C } -12V  
 +5V-C } +5V  
 +5V-C } +5V  
 N/C C } N/C  
 Gnd-C } Gnd  
 Gnd-C } Gnd  
 Gnd-C } Gnd  
 STM-C } Gnd  
 (ExSME) N/C C } Gnd  
 N/C C } PSStb  
 Wr-C } N/C  
 I/OEn-C } N/C (RdMem)  
 N/C C } N/C  
 RstSw-C } N/C  
 SME-C } PWR  
 N/C C } PVP  
 AD8-C } AD7  
 AD9-C } AD6  
 AD10-C } AD5  
 AD11-C } AD4  
 AD12-C } AD3  
 AD13-C } AD2  
 AD14-C } AD1  
 AD15-C } AD0

N/C C } N/C  
 N/C C } N/C  
 +12V-C } -12V (N/C)  
 +5V-C } +5V  
 +5V-C } +5V  
 N/C C } +7V  
 Gnd-C } Gnd  
 Gnd-C } Gnd  
 STM-C } Gnd  
 ExSME-C } Gnd  
 (UME)N/C C } Gnd  
 N/C C } Gnd  
 (I/OEn) N/C C } RdMem  
 N/C C } N/C  
 N/C C } N/C  
 N/C C } N/C  
 SME-C } N/C  
 N/C C } N/C (PVP)  
 AD8-C } AD7  
 AD9-C } AD6  
 AD10-C } AD5  
 AD11-C } AD4  
 AD12-C } AD3  
 AD13-C } AD2  
 AD14-C } AD1  
 AD15-C } AD0

ROM/RAM (J2)

07245-60122

I/O (J1)

07245-60117

# HP7245A Backplane



<u>Irq</u> — C	→ Motor Lrk
<u>Wr Motor</u> — C	→ N/C
+12V — C	→ -12V
+5V — C	→ +5V
+5V — C	→ +5V
N/C — C	→ +7V
Gnd — C	→ Gnd
Gnd — C	→ Gnd
STM — C	→ Gnd
Ex SMC — C	→ Gnd
UMC — C	→ Gnd
Wr — C	→ Gnd
<u>I/O En</u> — C	→ Rd Mem
<u>Rd HP1B1</u> — C	→ Rd HP1B0
<u>Rst Sw</u> — C	→ Wr HP1B0
SMC — C	→ POR
<u>Wr HP1B1</u> — C	→ PUP
A08 — C	→ A07
A09 — C	→ A06
A010 — C	→ A05
A011 — C	→ A04
A012 — C	→ A03
A013 — C	→ A02
A014 — C	→ A01
A015 — C	→ A00

<u>Irq</u> — C	→ Motor Lrk
<u>Wr Motor</u> — C	→ N/C
+12V — C	→ -12V
+5V — C	→ +5V
+5V — C	→ +5V
N/C — C	→ PS56
Gnd — C	→ Gnd
Gnd — C	→ Gnd
+26V — C	→ -26V
PGnd — C	→ PGnd
XφA — C	→ XφA Ret
XφADrv — C	→ XφBDrv
XφB Ret — C	→ XφB
YφADrv — C	→ YφA Ret
YφA — C	→ YφB
YφB Ret — C	→ YφBDrv
N/C — C	→ PUP
(A07) N/C — C	→ N/C (A07)
(A09) N/C — C	→ N/C (A06)
(A010) N/C — C	→ N/C (A05)
(A011) N/C — C	→ N/C (A04)
A012 — C	→ A03
A013 — C	→ A02
A014 — C	→ A01
A015 — C	→ A00

Processo- (33)  
07245-60118

Motor Control (34)  
07245-60120

# HP 7245A Backplane

RHS  
 ↗ Top

+5V	-C	↗	Gnd
+5V	-C	↗	Gnd
N/C	-C	↗	N/C
N/C	-C	↗	N/C
N/C	-C	↗	N/C
N/C	-C	↗	N/C
RdHP1B1	-C	↗	RdHP1B0
N/C	-C	↗	WrHP1B0
N/C	-C	↗	N/C
WrHP1B1	-C	↗	PUP
A08	-C	↗	A07
A09	-C	↗	A06
A10	-C	↗	A05
A11	-C	↗	A04
A12	-C	↗	A03
A13	-C	↗	A02
A14	-C	↗	A01
A15	-C	↗	A00

Gnd	-C	↗	Gnd
+5V	-C	↗	+5V
Gnd	-C	↗	Gnd
N/C	-C	↗	+7V
-12V	-C	↗	+12V
+26V	-C	↗	+26V
-26V	-C	↗	-26V
P6nd	-C	↗	P6nd
P6nd	-C	↗	P6nd
N/C	-C	↗	N/C
POR	-C	↗	N/C
YφB	-C	↗	YφBDrv
YφA	-C	↗	YφADrv
XφB	-C	↗	XφBDrv
XφA	-C	↗	XφADrv

PSU (J7)

HP1B(J6)  
 07245-60115

Rear  
 ↑

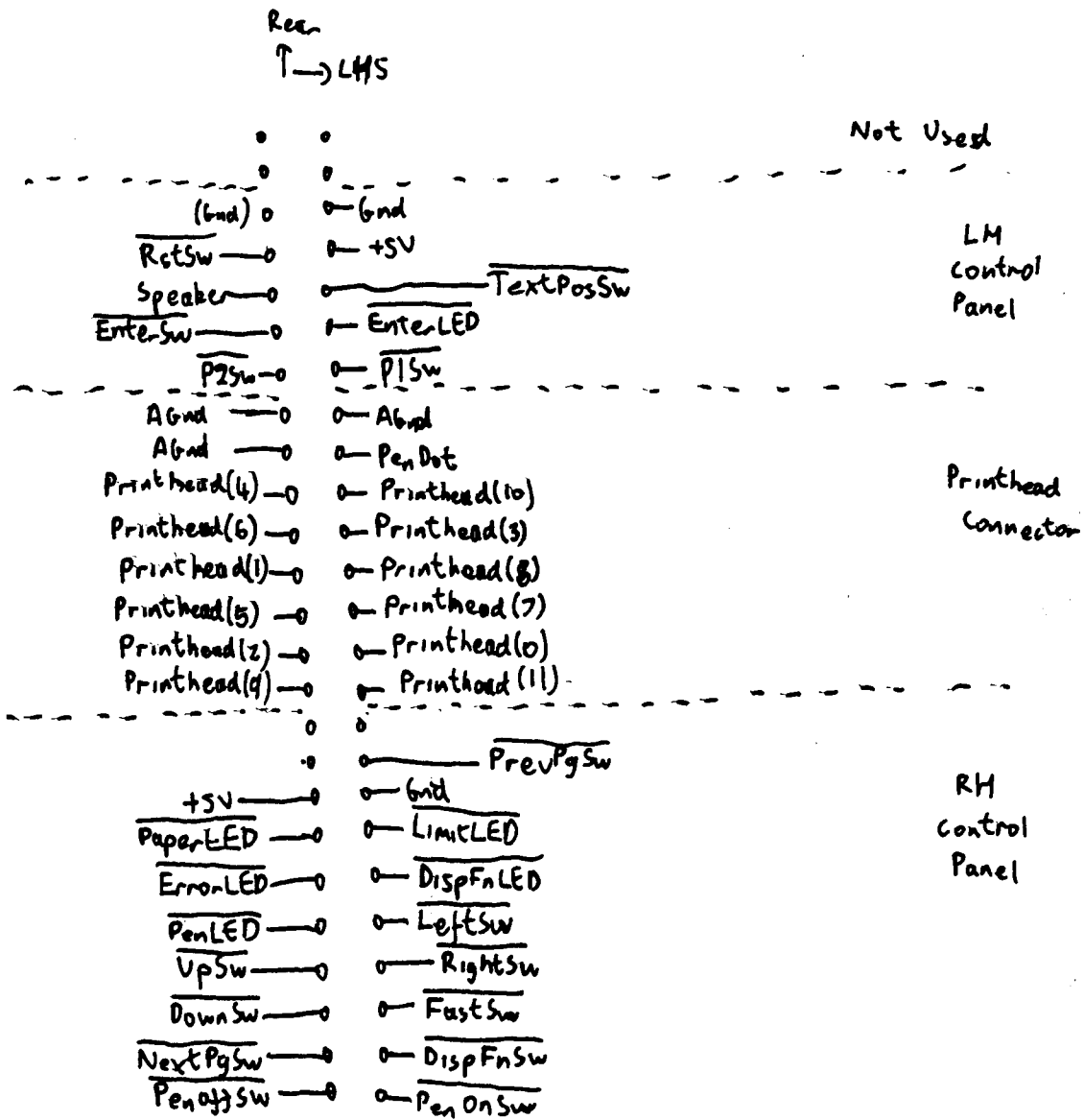
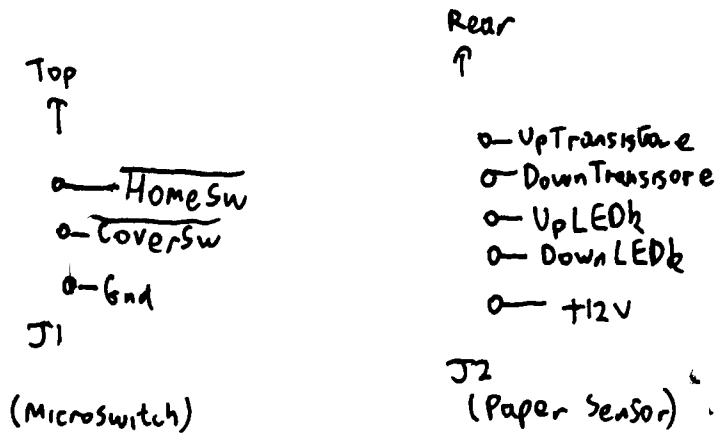
○ -26V  
 ○ P6nd

Fan (J5)

○ XφARet  
 ○ XφA  
 ○ XφB  
 ○ XφBRet  
 X Motor (J9)

○ YφARet  
 ○ YφA  
 ○ YφB  
 ○ YφBRet  
 Y Motor (J8)

HP7245A I/O PCB



# HP7245A PSU Connectors

LHS  
↑

- B+
- N/C
- Bnd
- N/C
- Fan
- N/C
- Fan
- X
- Mains Neutral
- N/C
- Mains Live

J301

(Mains Input → Harness)

TOP  
↑  
J300

- B+
- N/C
- Bnd
- X
- Mains Neutral
- N/C
- Mains Live
- N/C
- BCT

J300, J400

(Mains Input → Mains Rectifier)

Front  
↑  
J400

Top  
↑

- Mains Neutral
- N/C
- Fan Supply
- N/C
- 100V Tap
- N/C
- 120V Tap
- X
- 220V Tap
- N/C
- 240V Tap

J302

(Mains Input → Startup Transformer)

Rear  
↑

- N/C
- Bnd
- N/C
- B+

J200

(Chopper Input)

LHS  
↑

- Pri B
- 
- Bnd (screen)
- 
- Pri A

J202

(Chopper Transformer Primary)



# HP7245A PSU Connectors

Rear  
↑

○ RegB  
○ N/C

○ RegL  
○ N/C

○ RegE  
○ N/C  
X

○ PriA  
○ N/C

○ DrVA  
○ N/C  
○ N/C

○ DrVB  
○ N/C

○ PriB  
○ N/C  
○ N/C

○ DrVC  
○ N/C

○ DrVD  
○ N/C

○ B Gnd

J201

(Chopper Drive)

Top  
↑

○ 148VACu

○ Gnd

○ 148VACb

J504

(Startup Transformer → Output PCB)

Top  
Rear  
↑

ChopDrvB ← ) ChopDrvA

Gnd ← ) Mains Ref

ISenseA ← ) POR

ISenseB ← ) +5V

+VPSU ← ) Gnd

RegDrv ← ) +12VPSU

J503

(PSU Control → Output PCB)

Rear  
?

) +12VPSU

) +12V1h

) +12V

) StartupIn

) Gnd

) Gnd

J500/P101

(Motor Driver → Output PCB Front)

Rear  
↑

) +26V

) -26V

) XφA

) XφADrv

- ) YφBDrv

) YφADrv

- ) XφBDrv

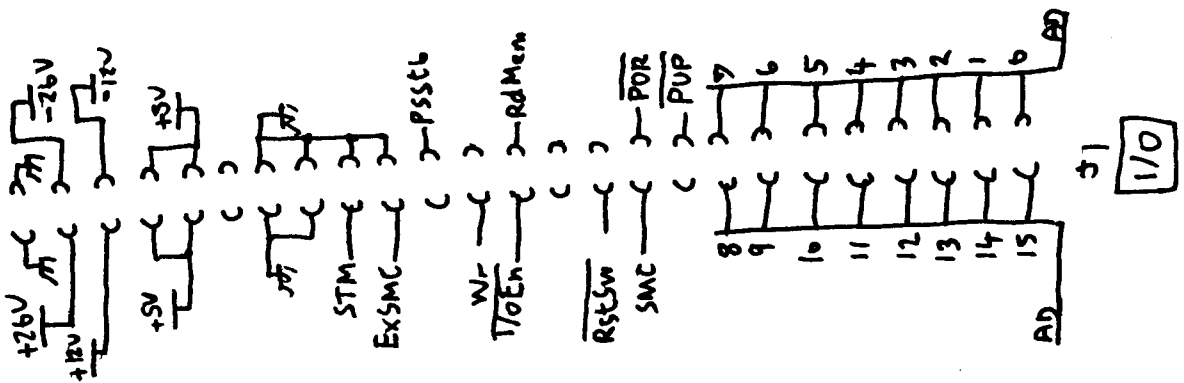
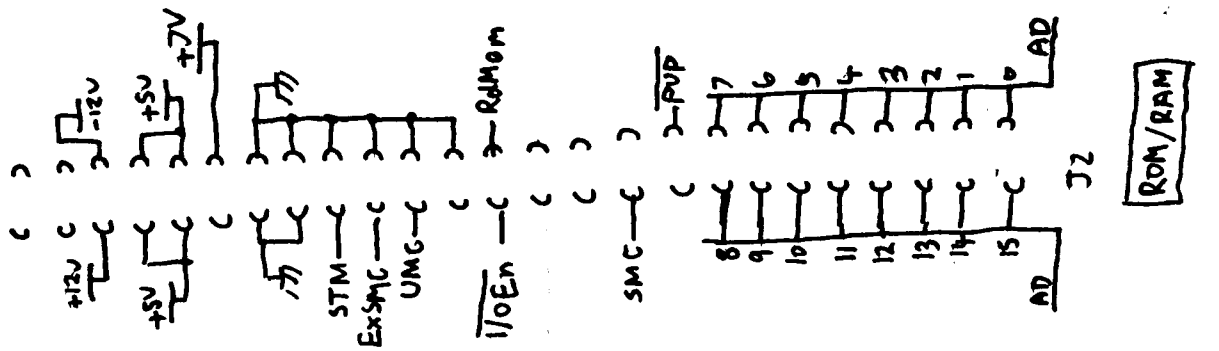
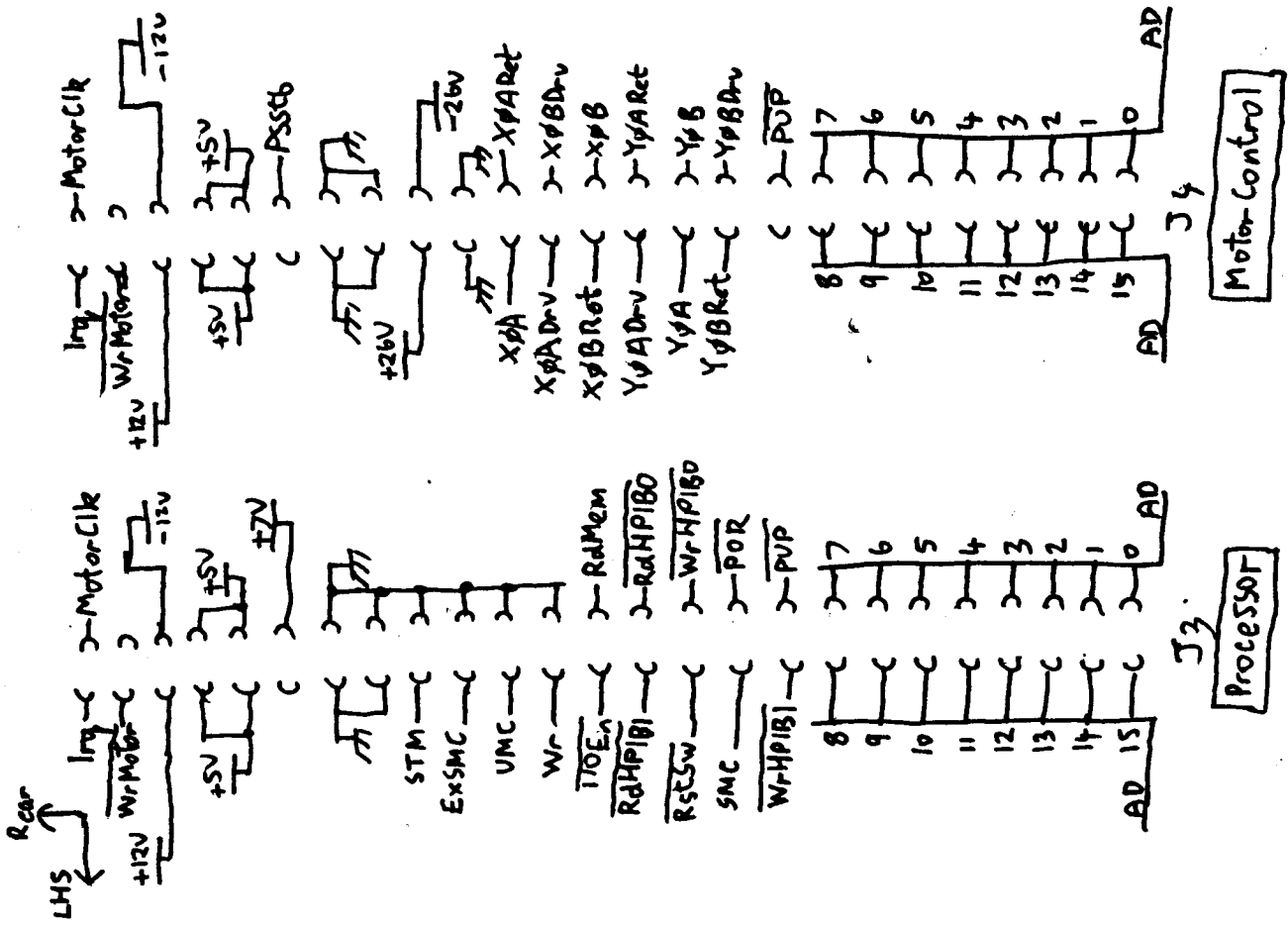
) XφB

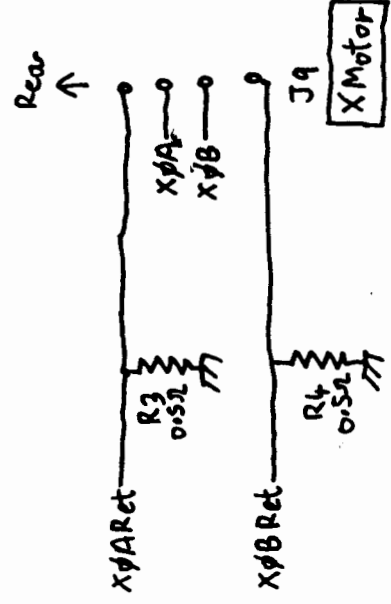
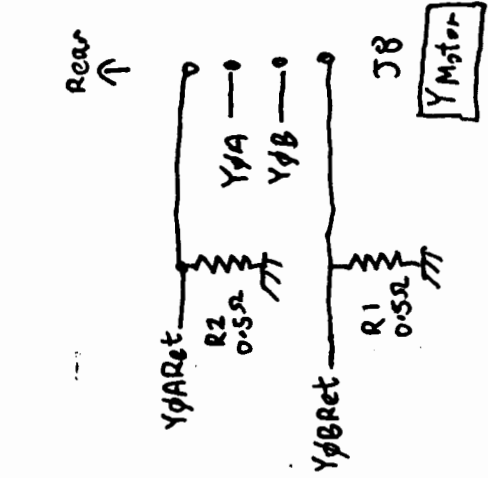
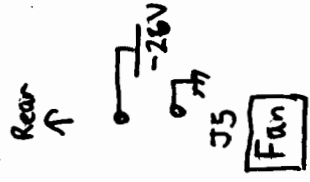
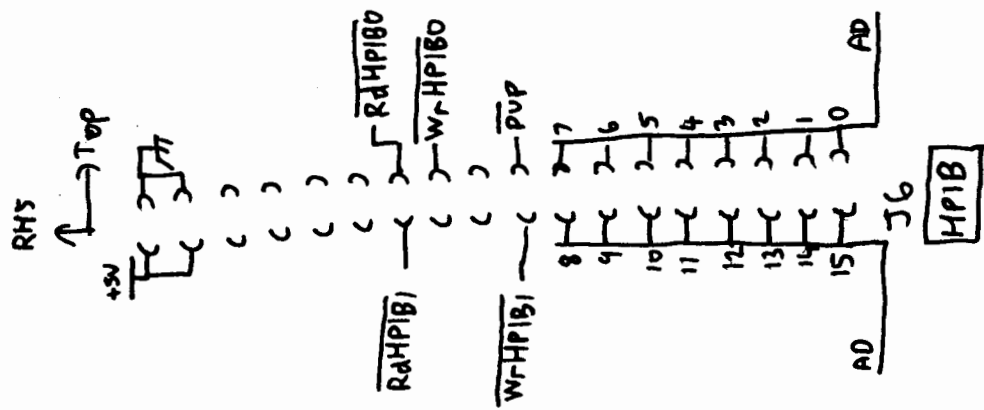
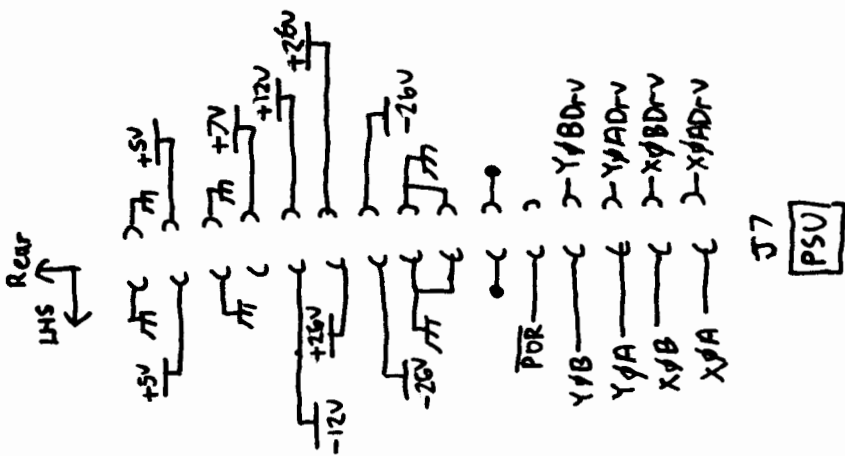
) YφA

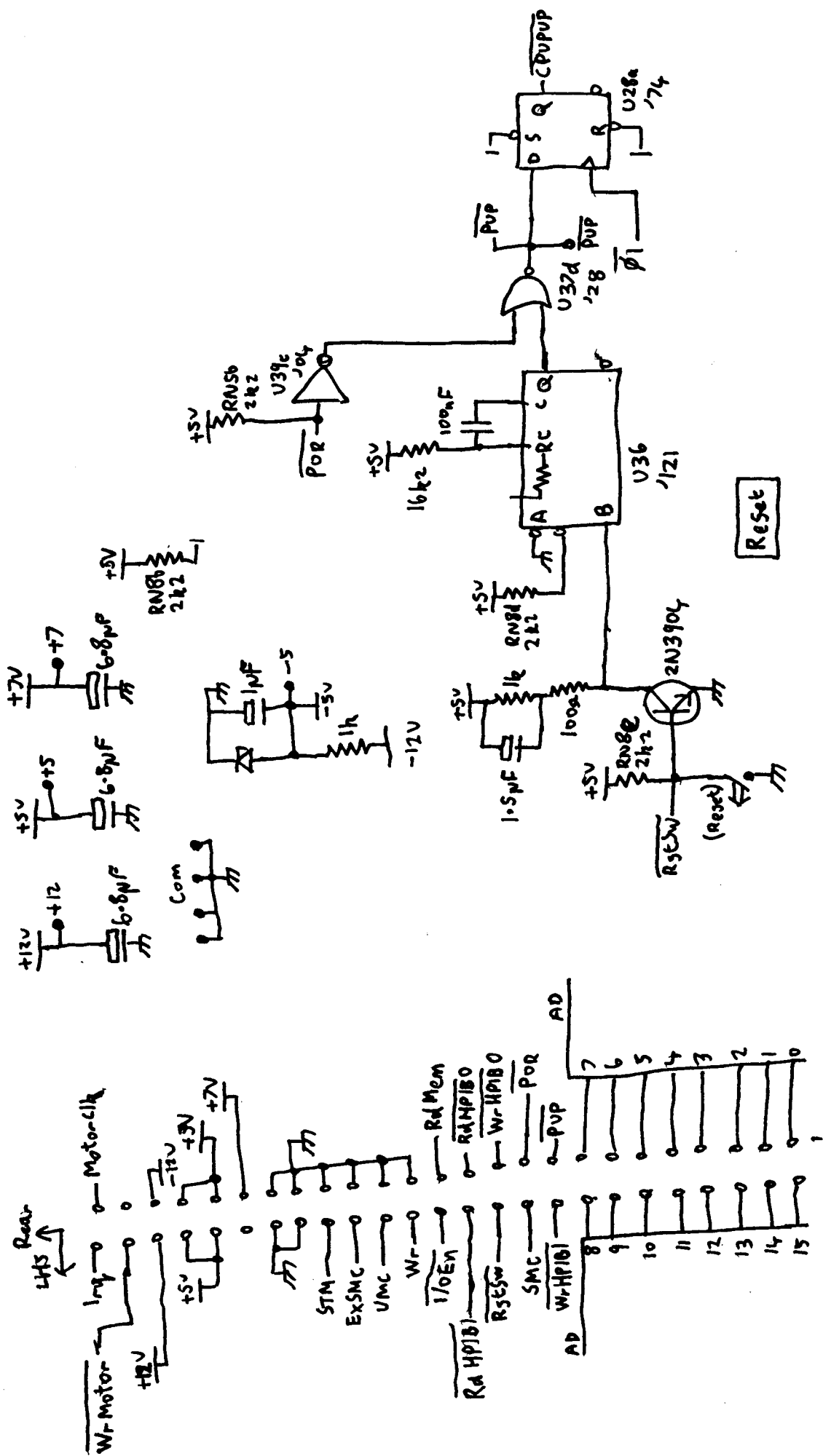
) YφB

J505/P100

(Motor Driver → Output PCB Rear)



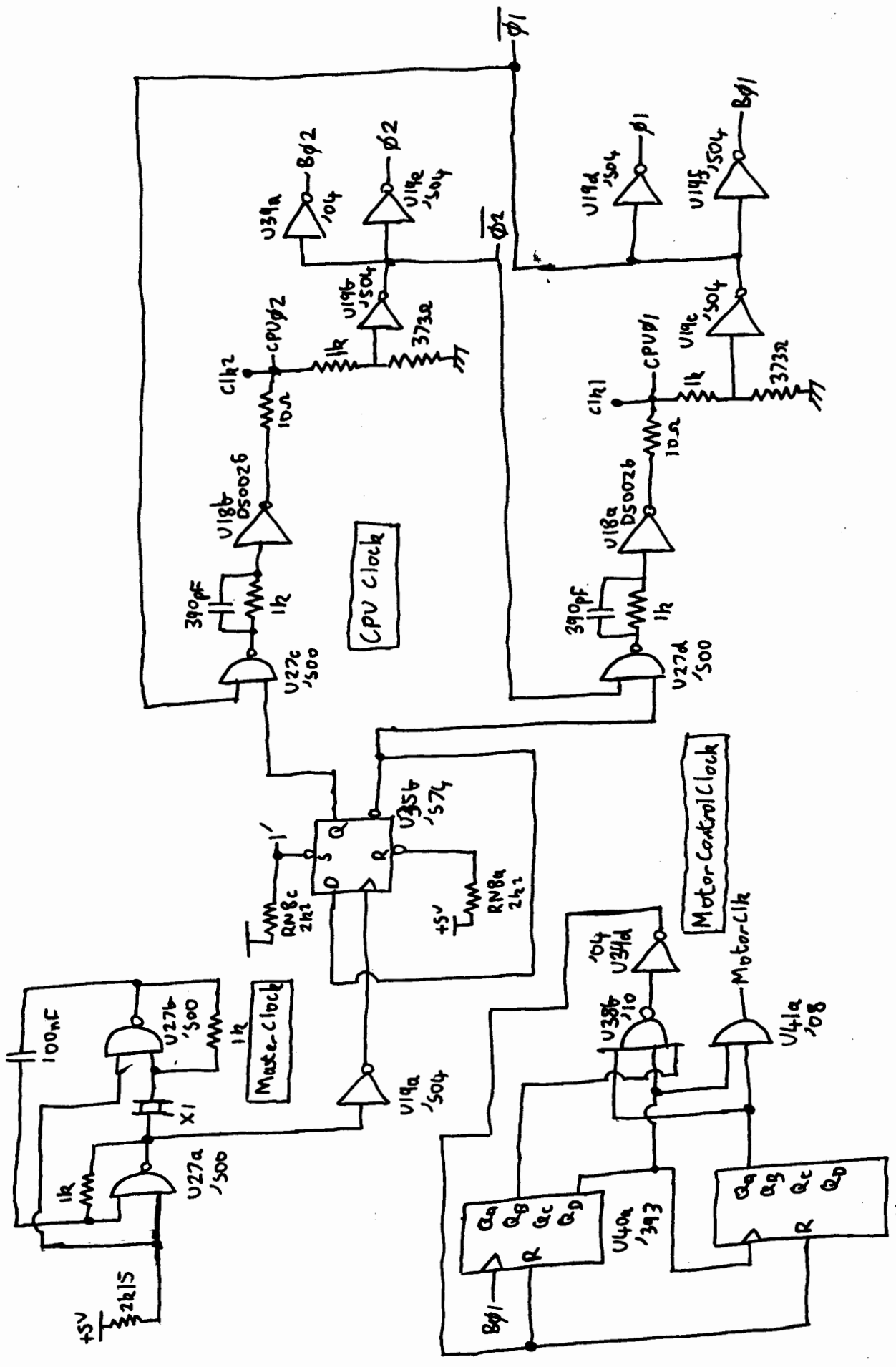


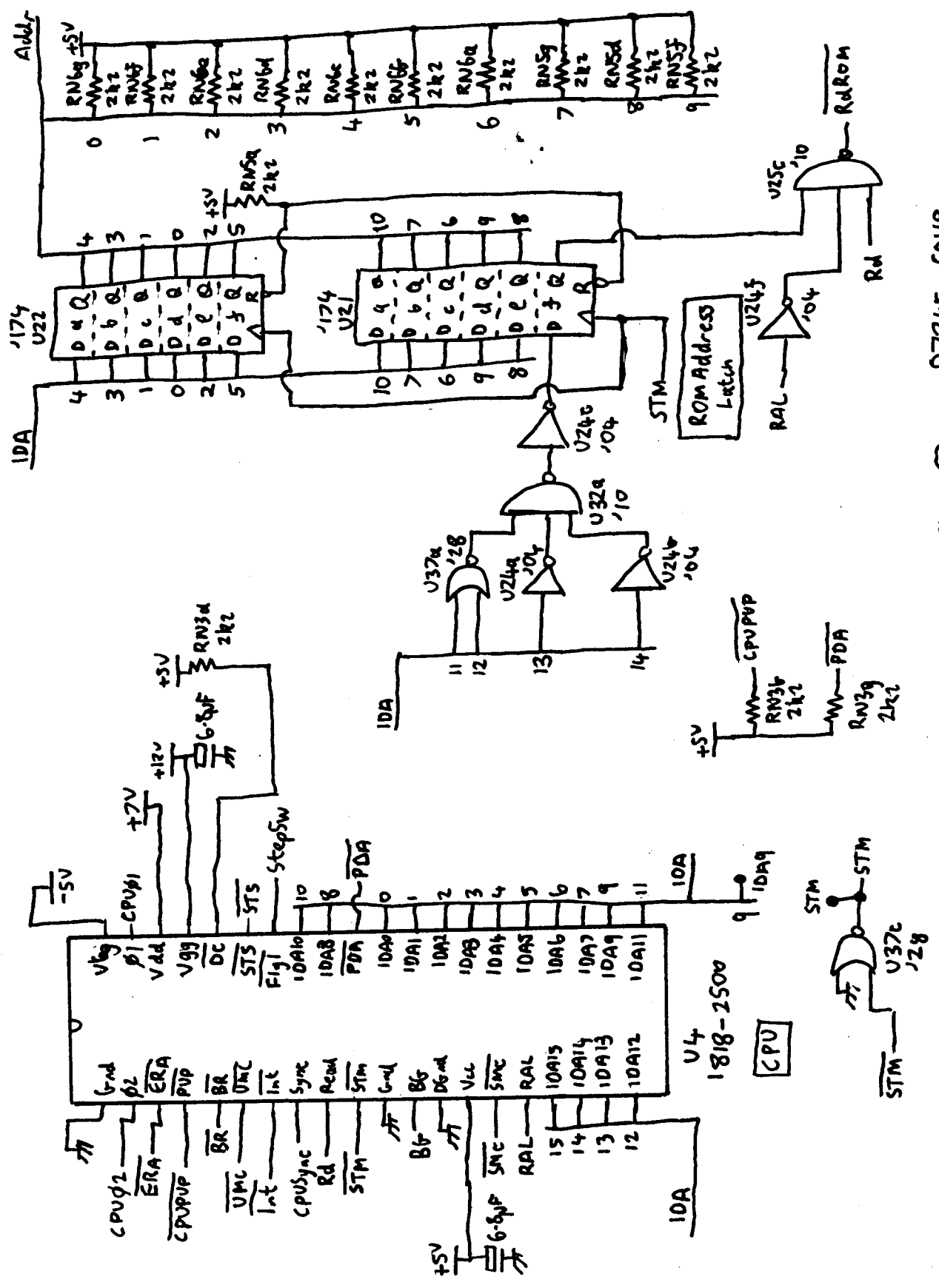


07245-60118

HP7245A Processor PCB Sheet 1

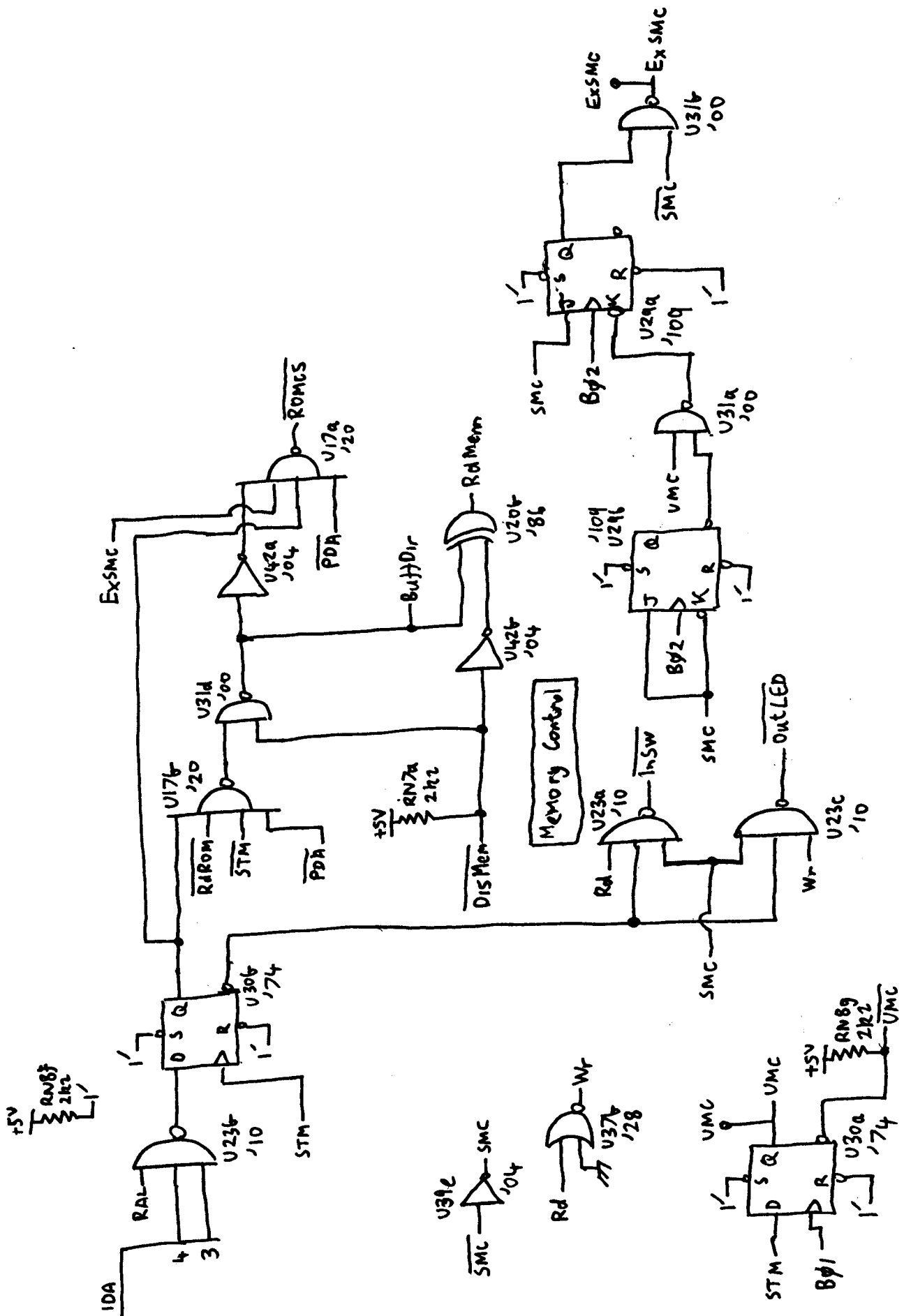
P1

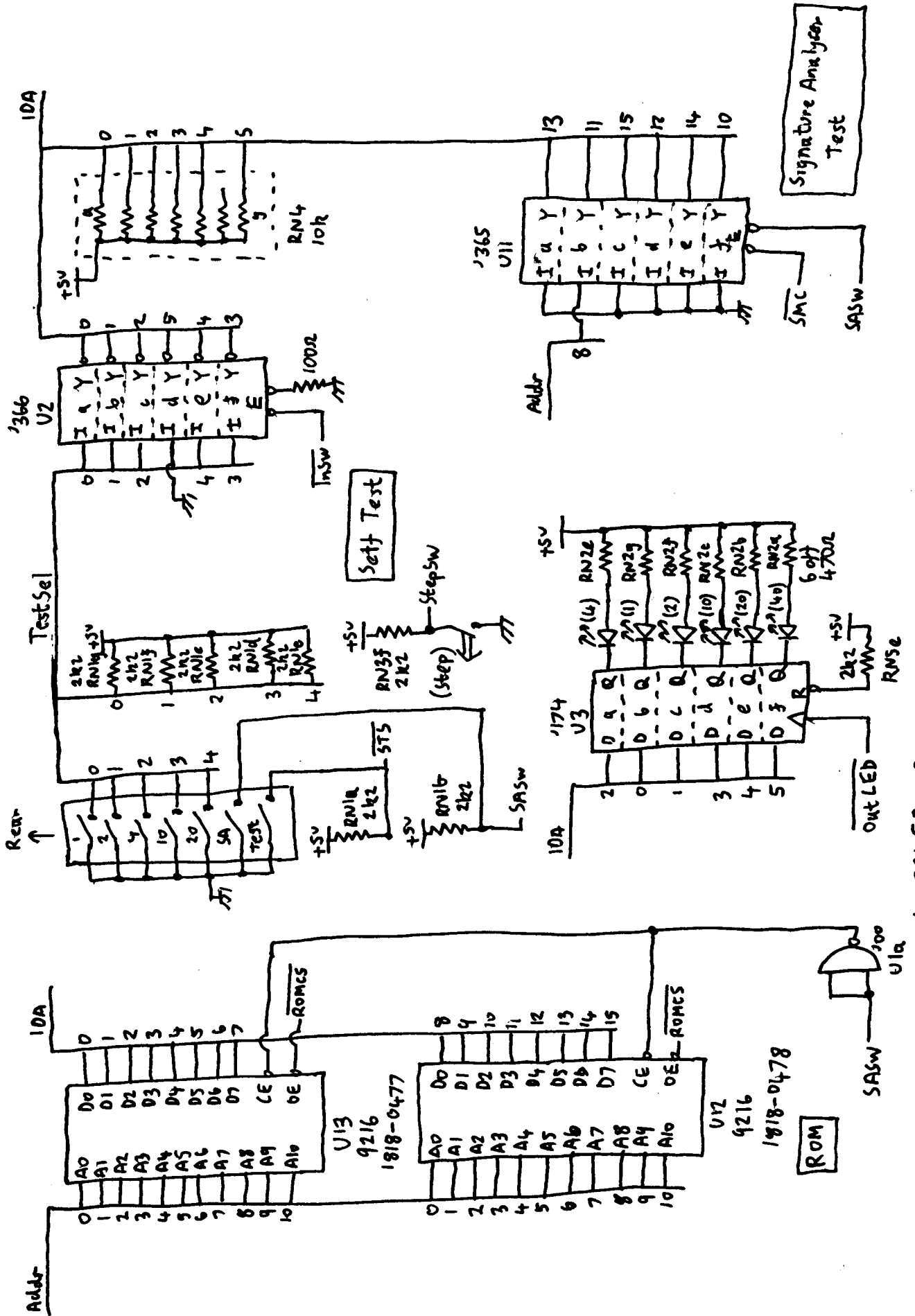




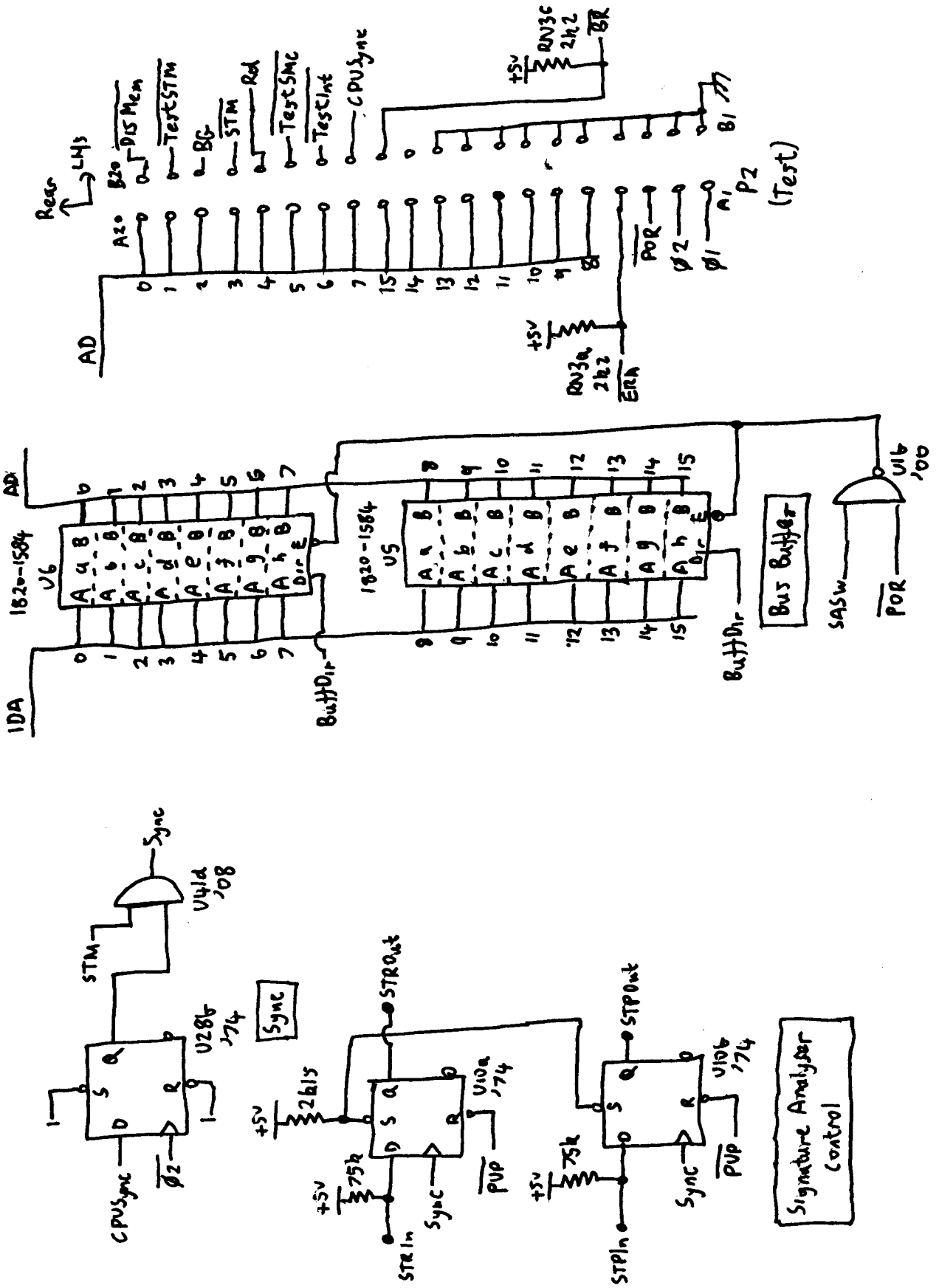
07245-6018

HP7245A Processor PCB Sheet 3



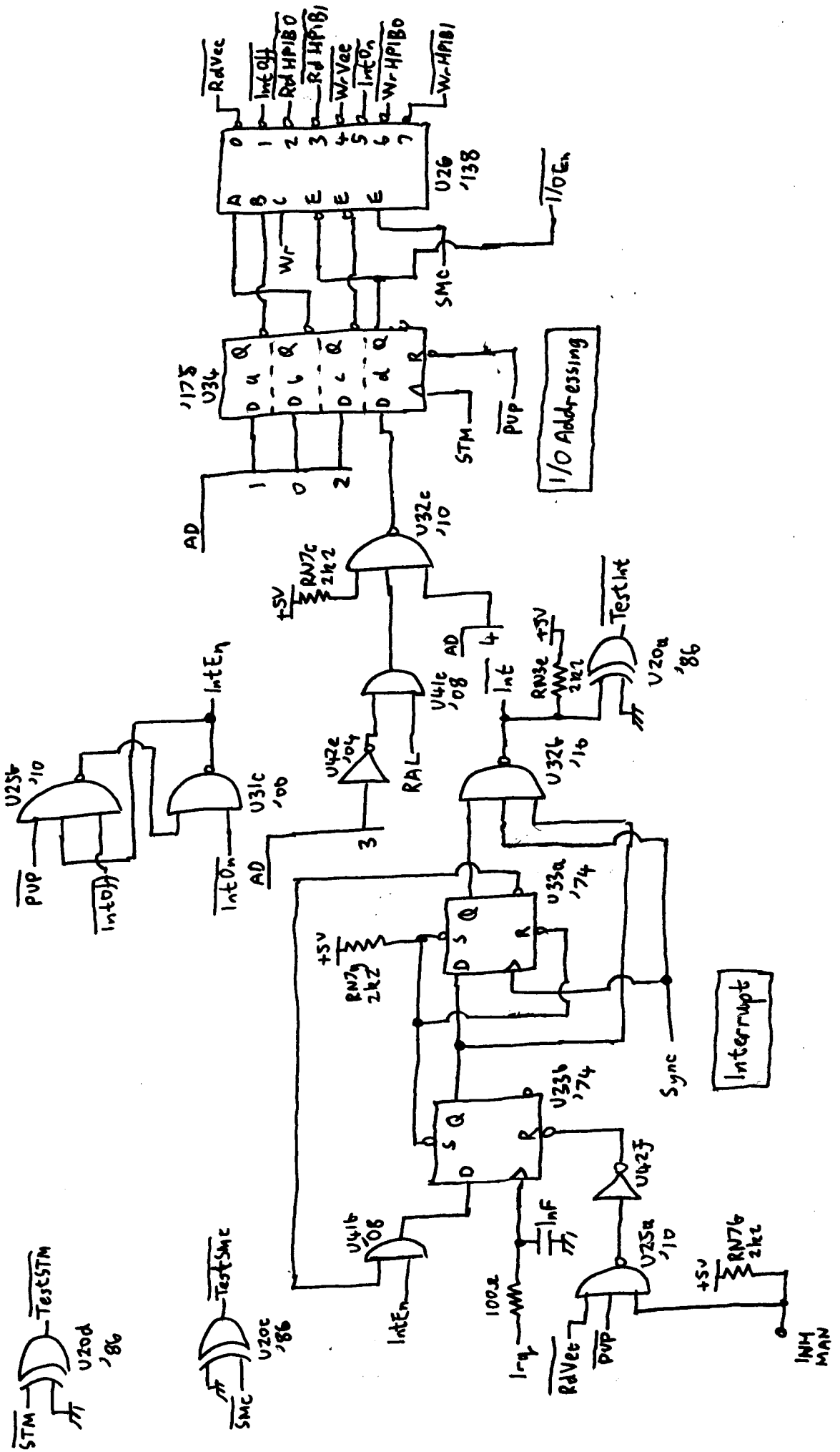


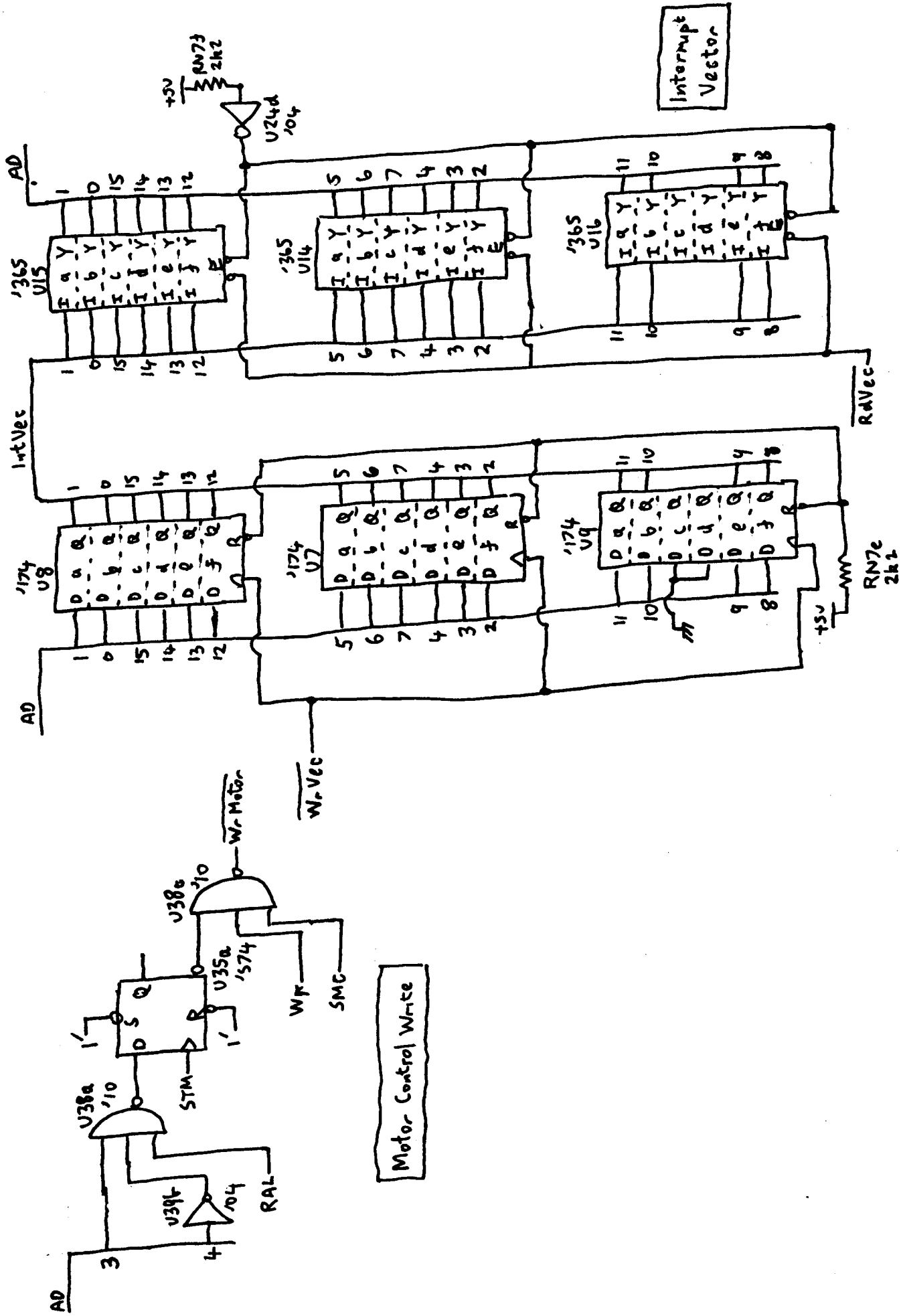


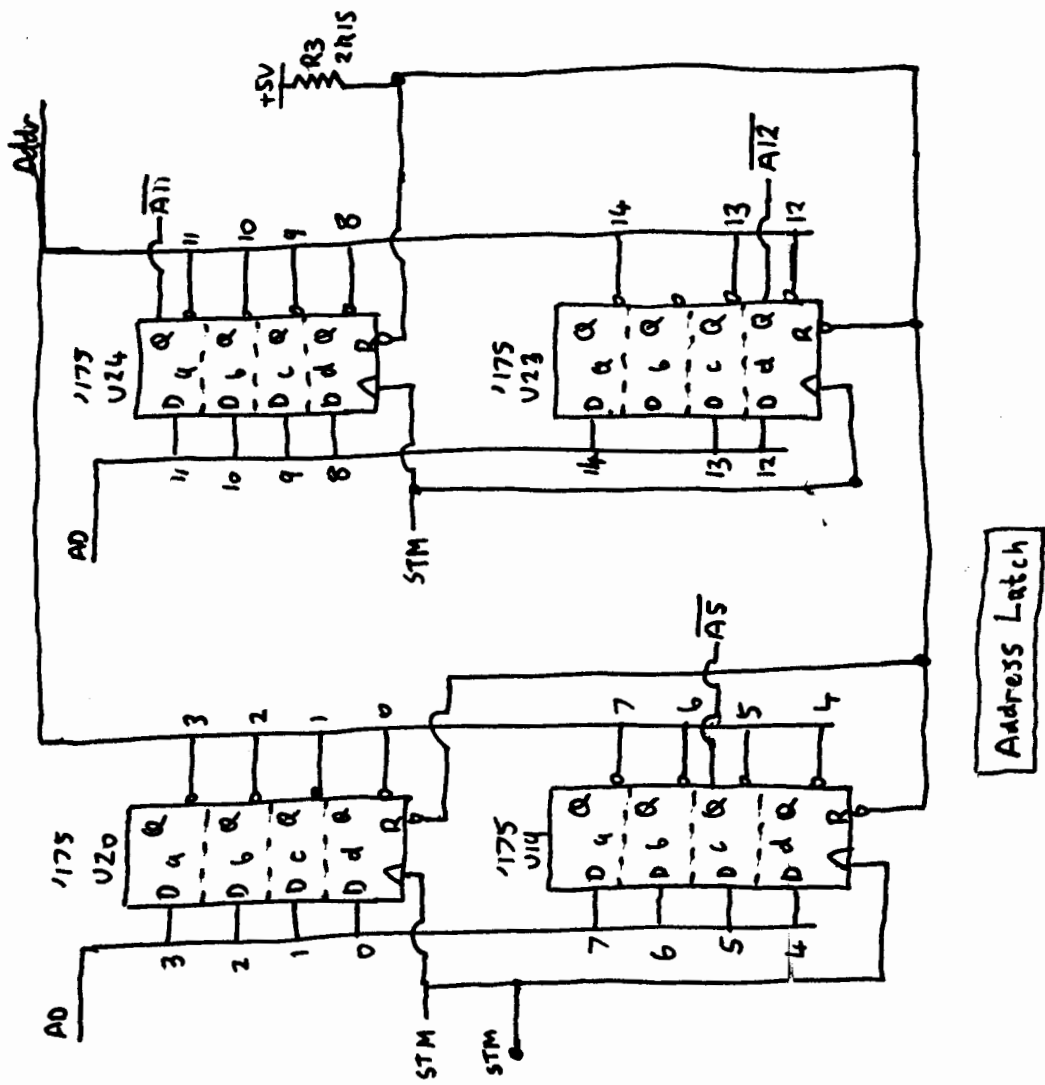


07245-60118

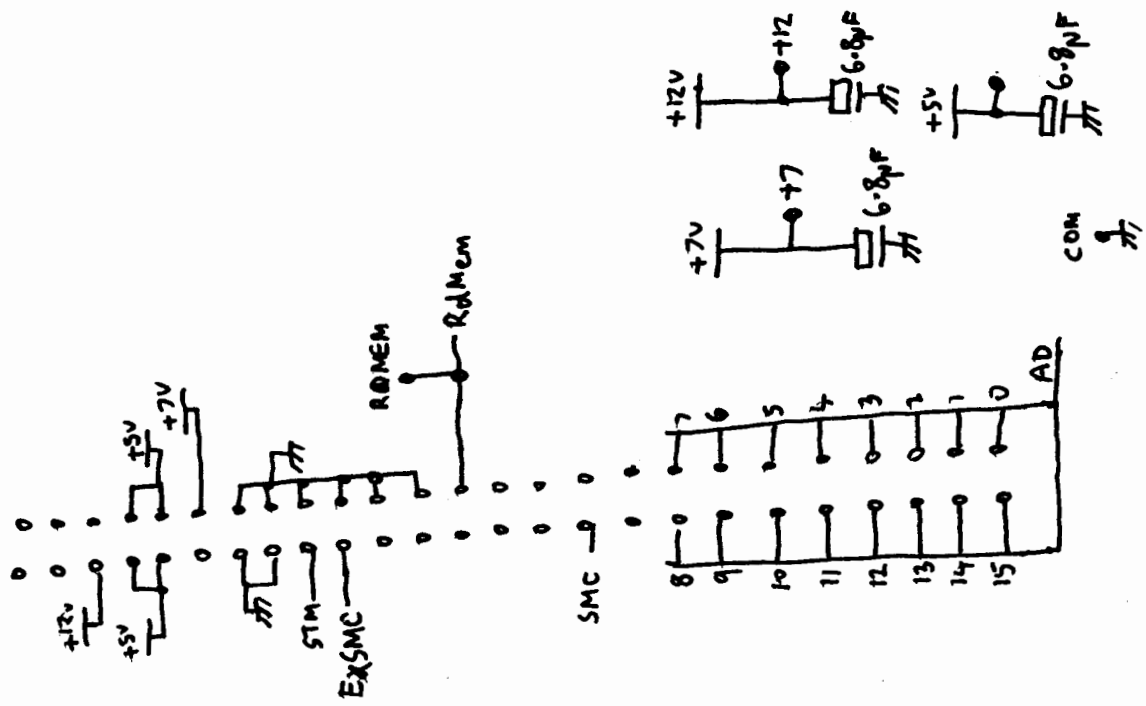
HP7245A Processor PCB Sheet ⑥

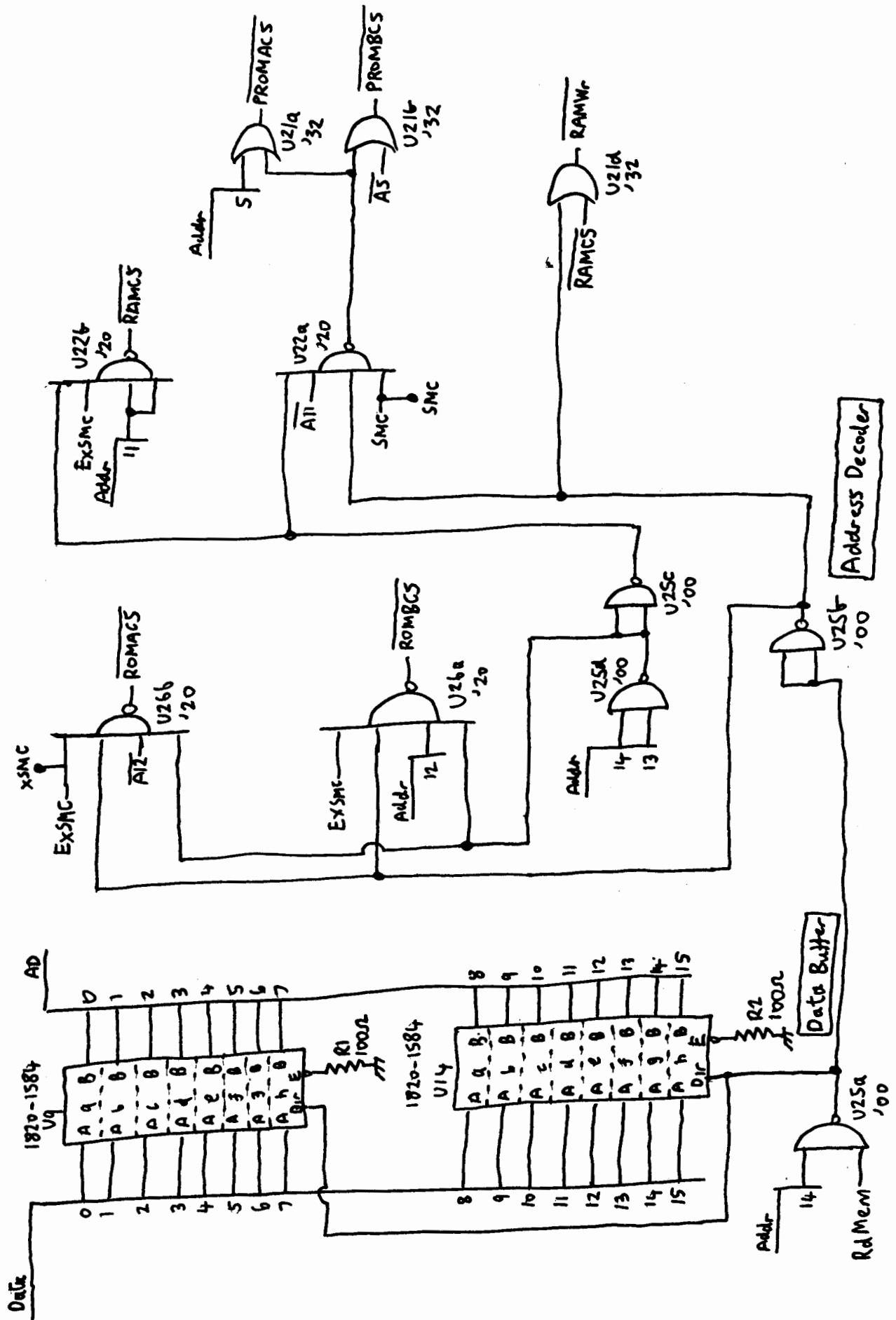


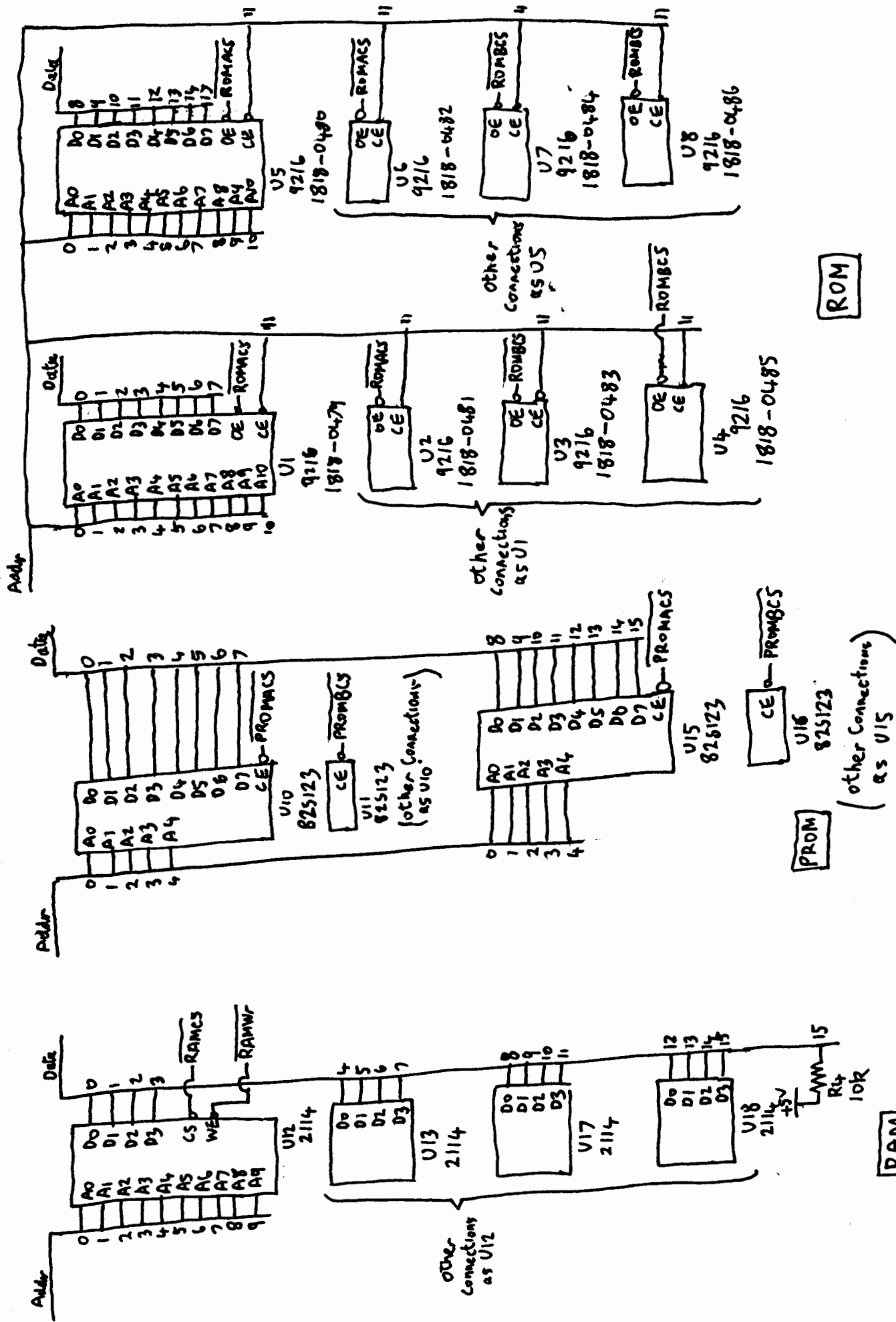


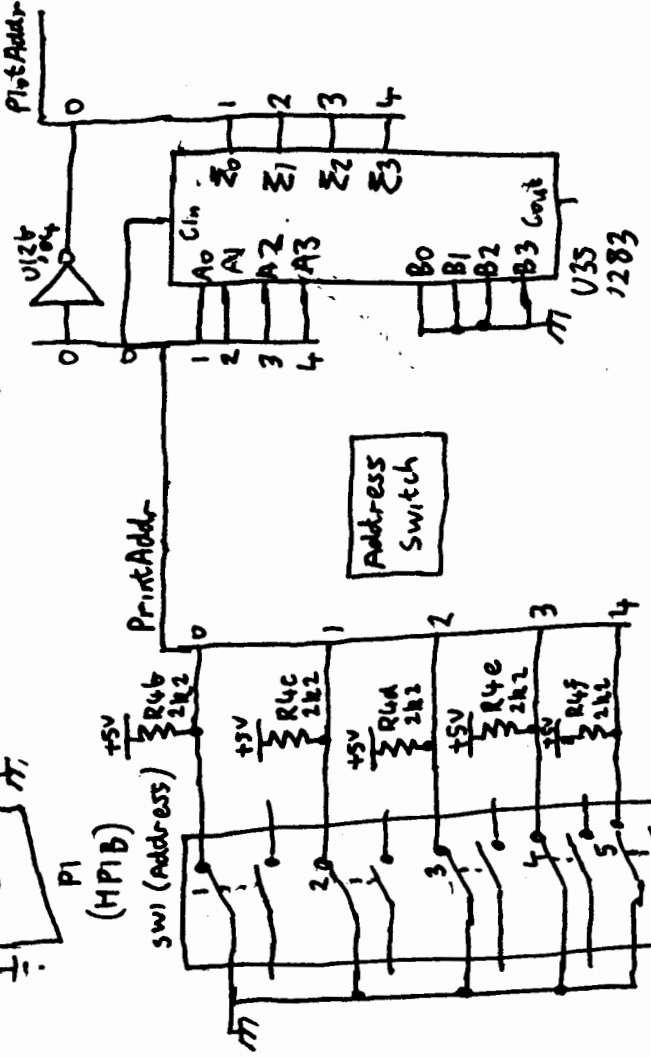
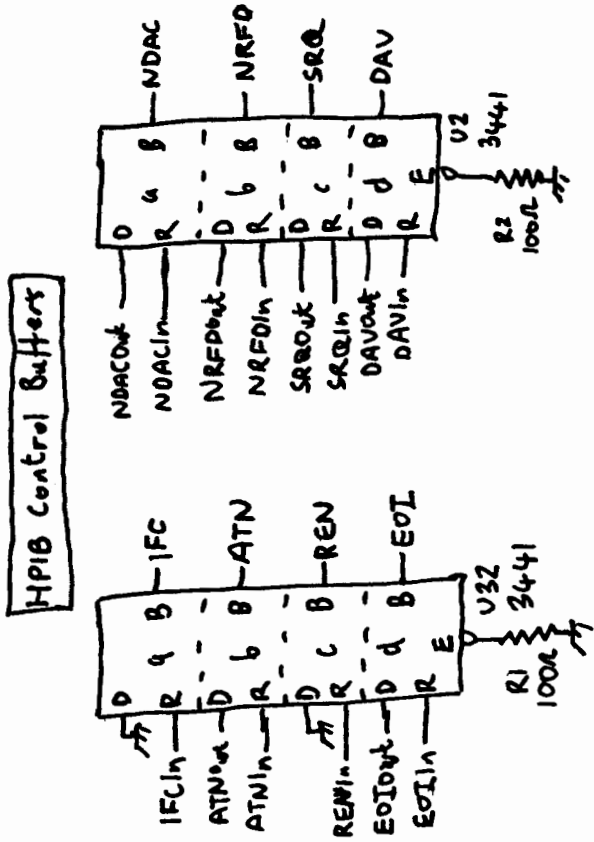
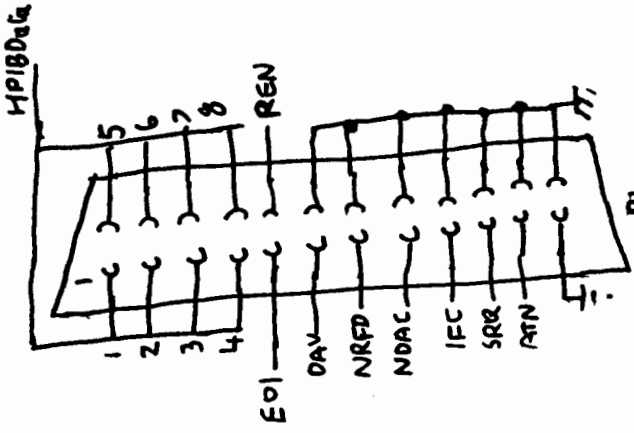
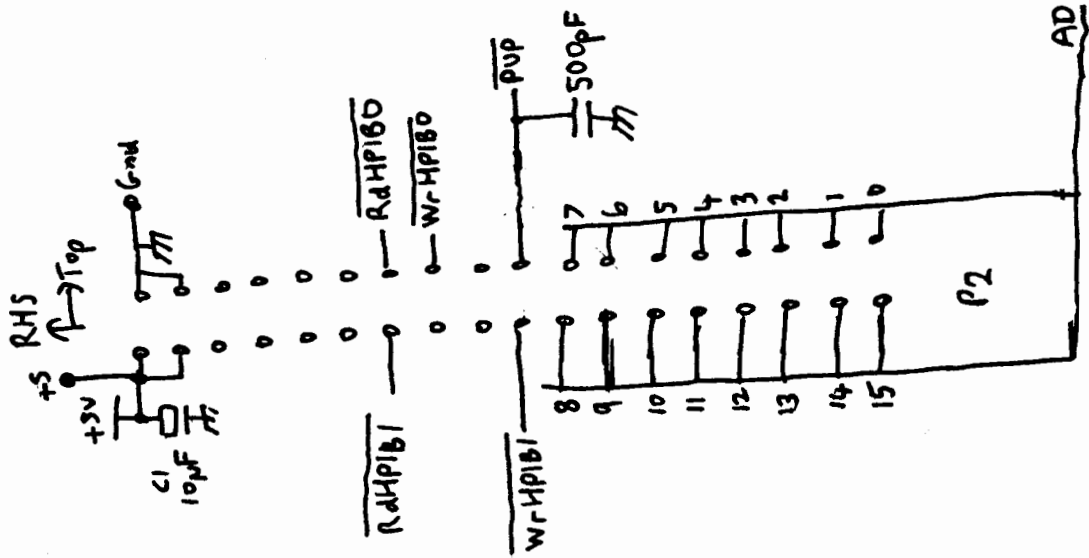


Address Latch





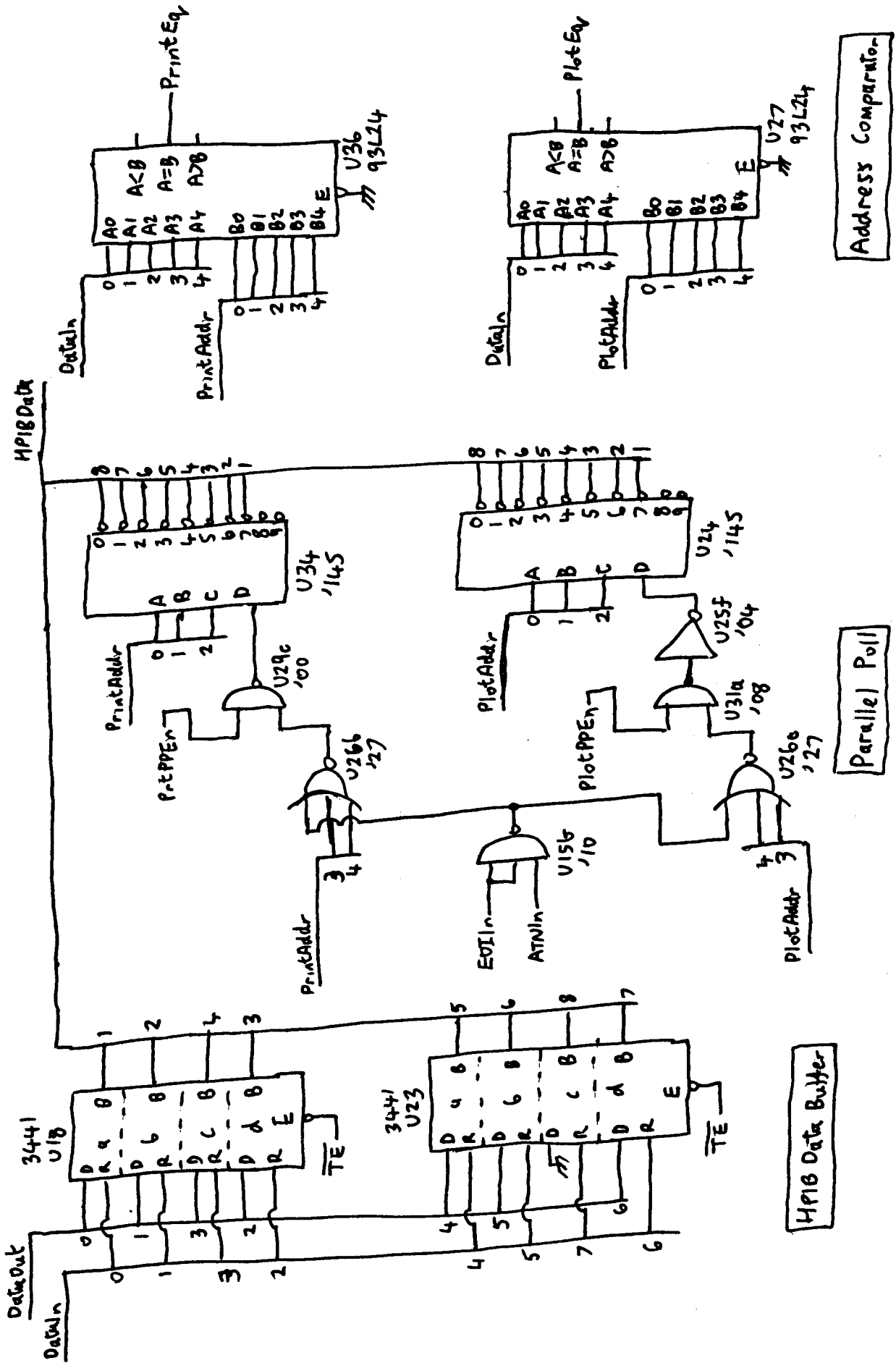




07245-6015

Sheet ①

HP7245A HP1B PCB



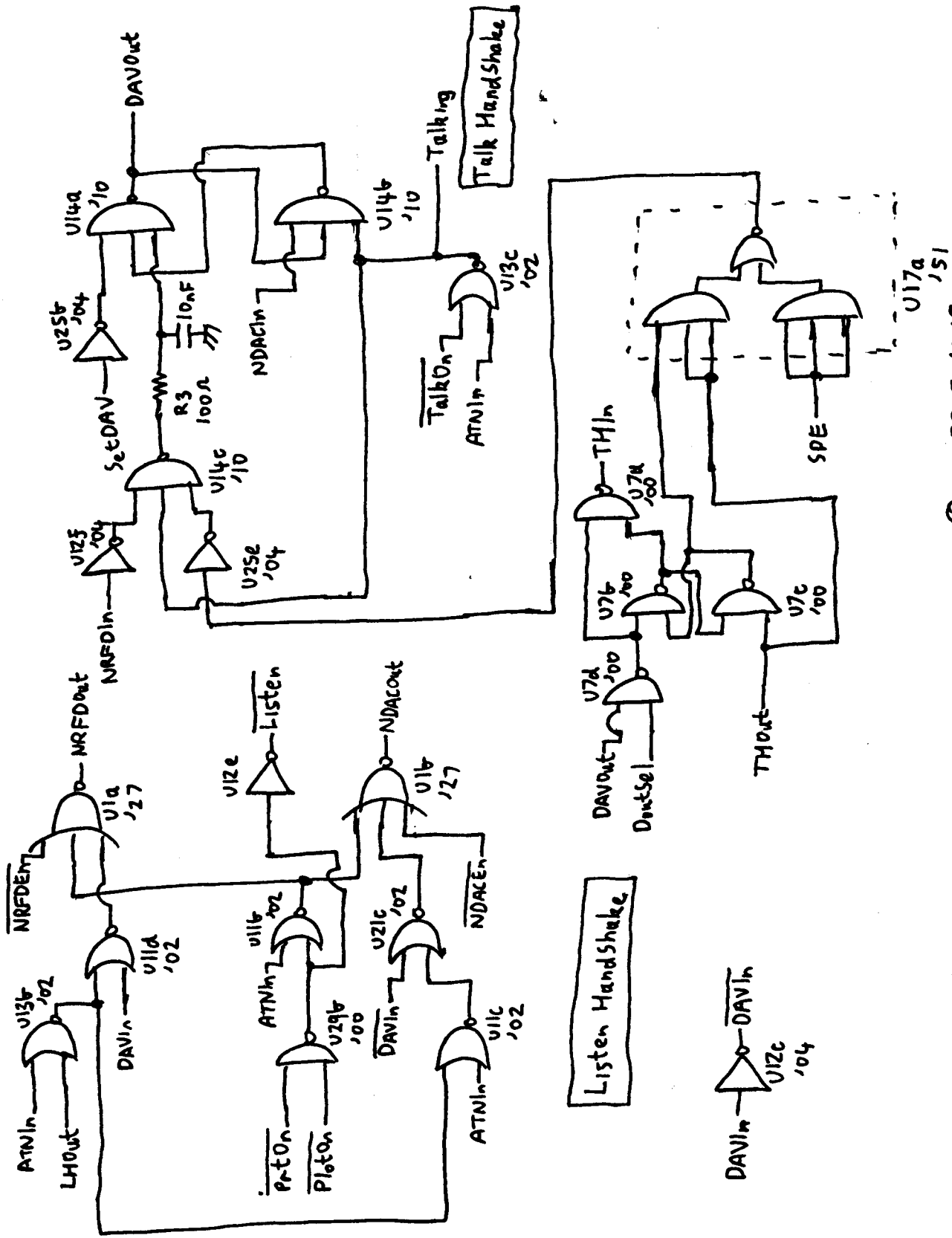
07245-6015

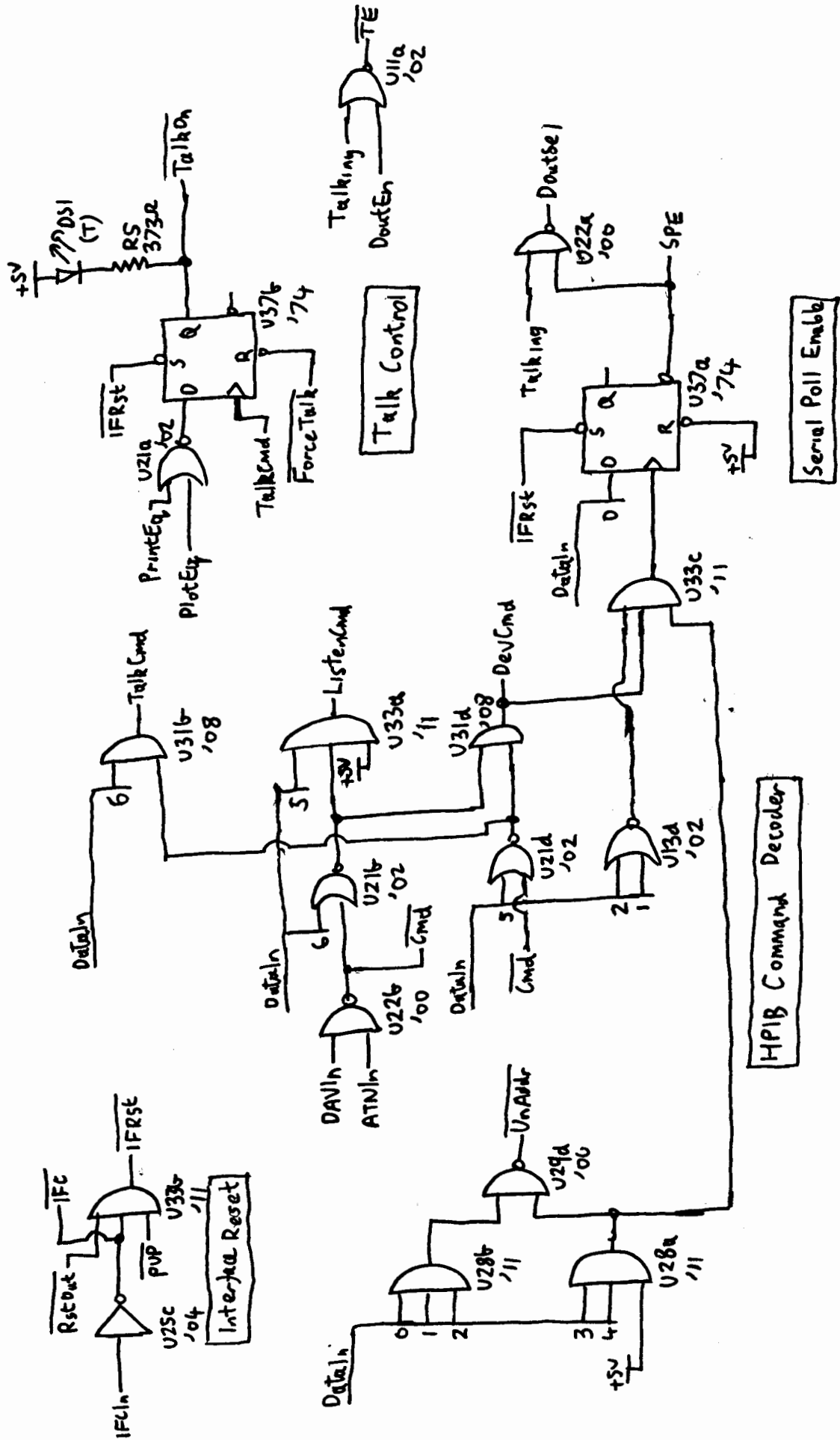
Sheet 2

HP1B PCB

HP7245A

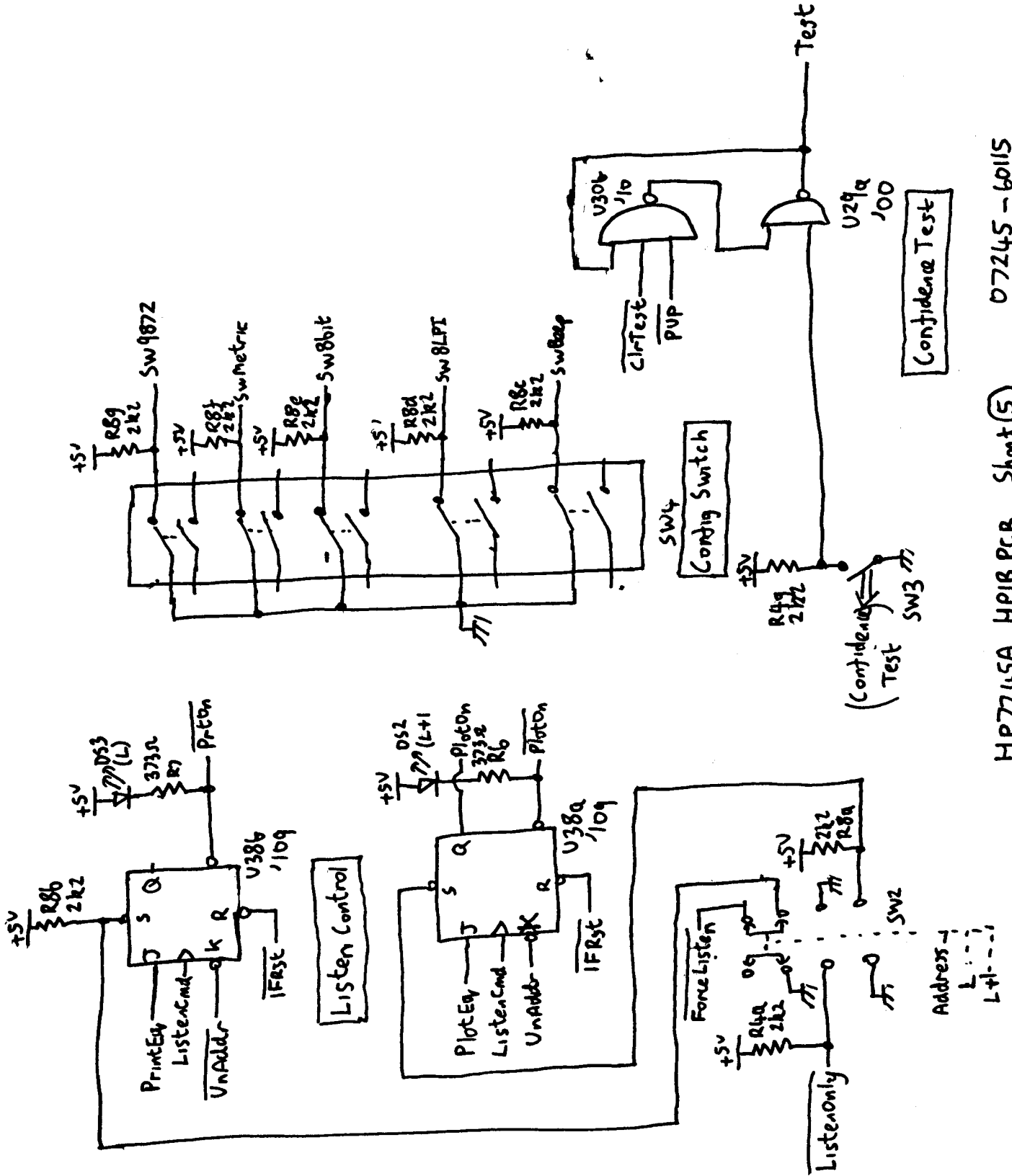






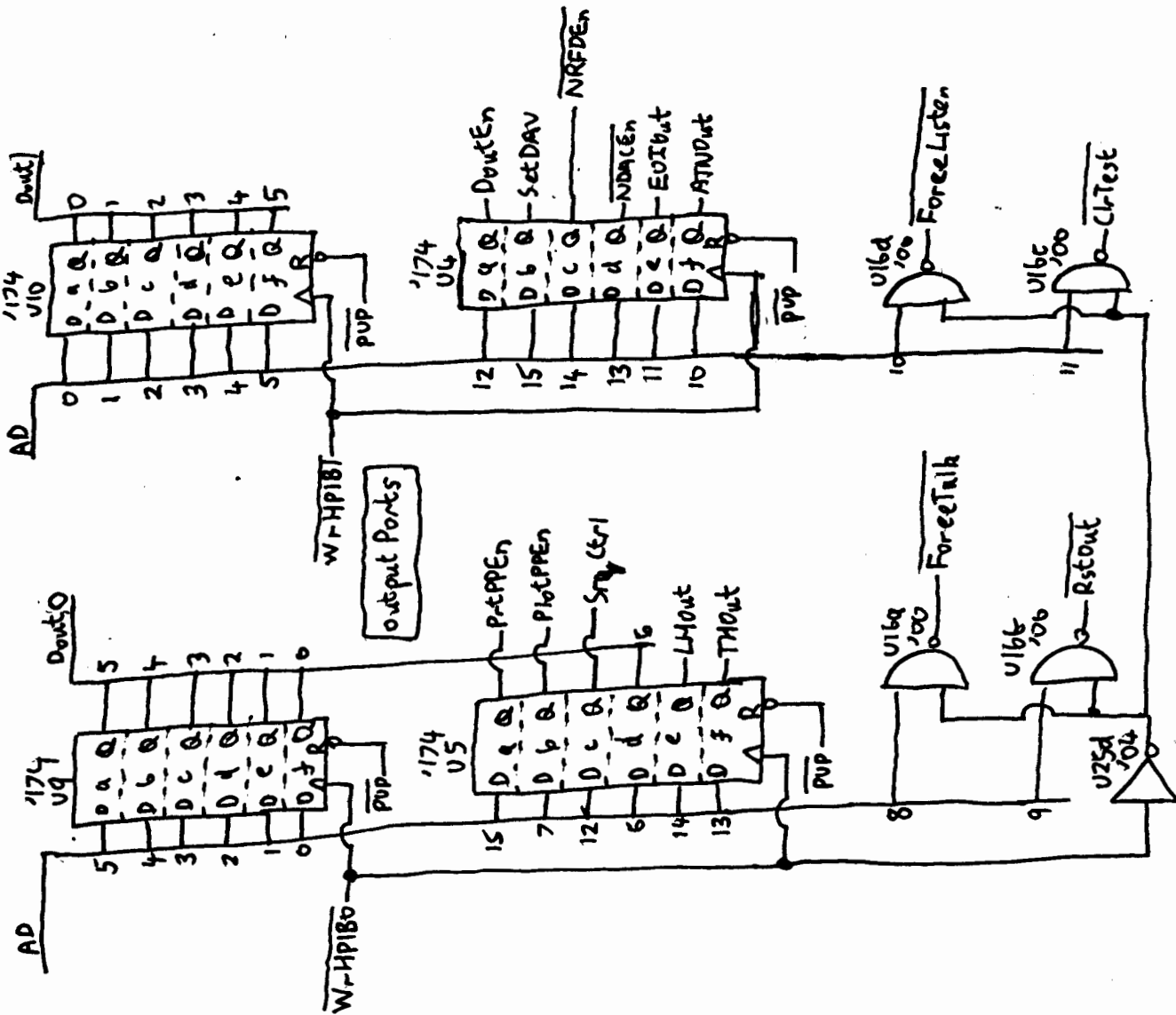
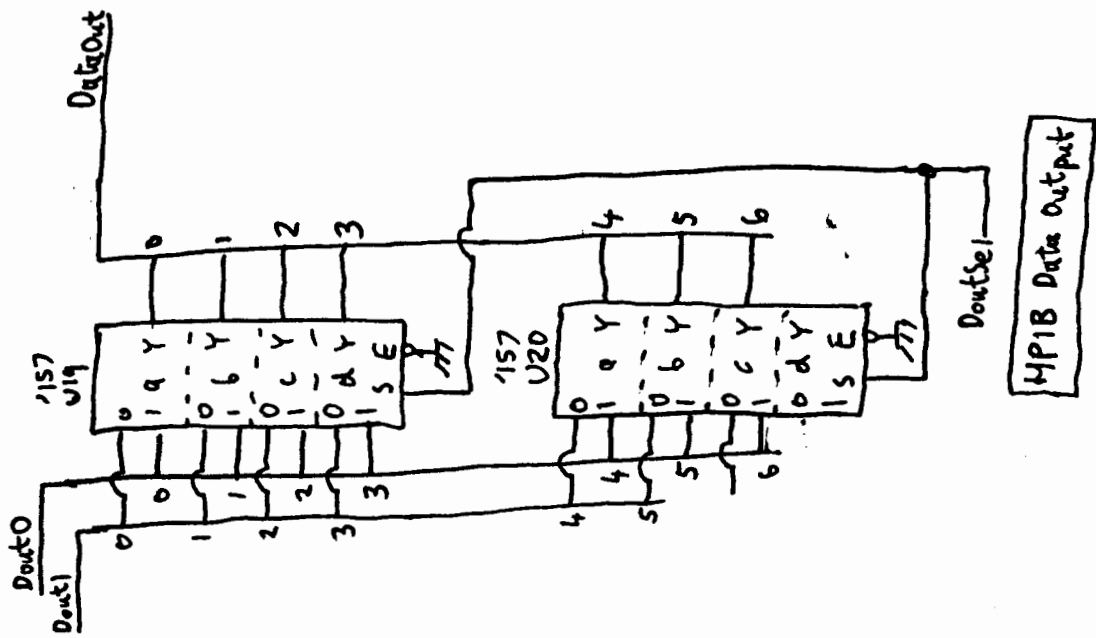
07245-6015

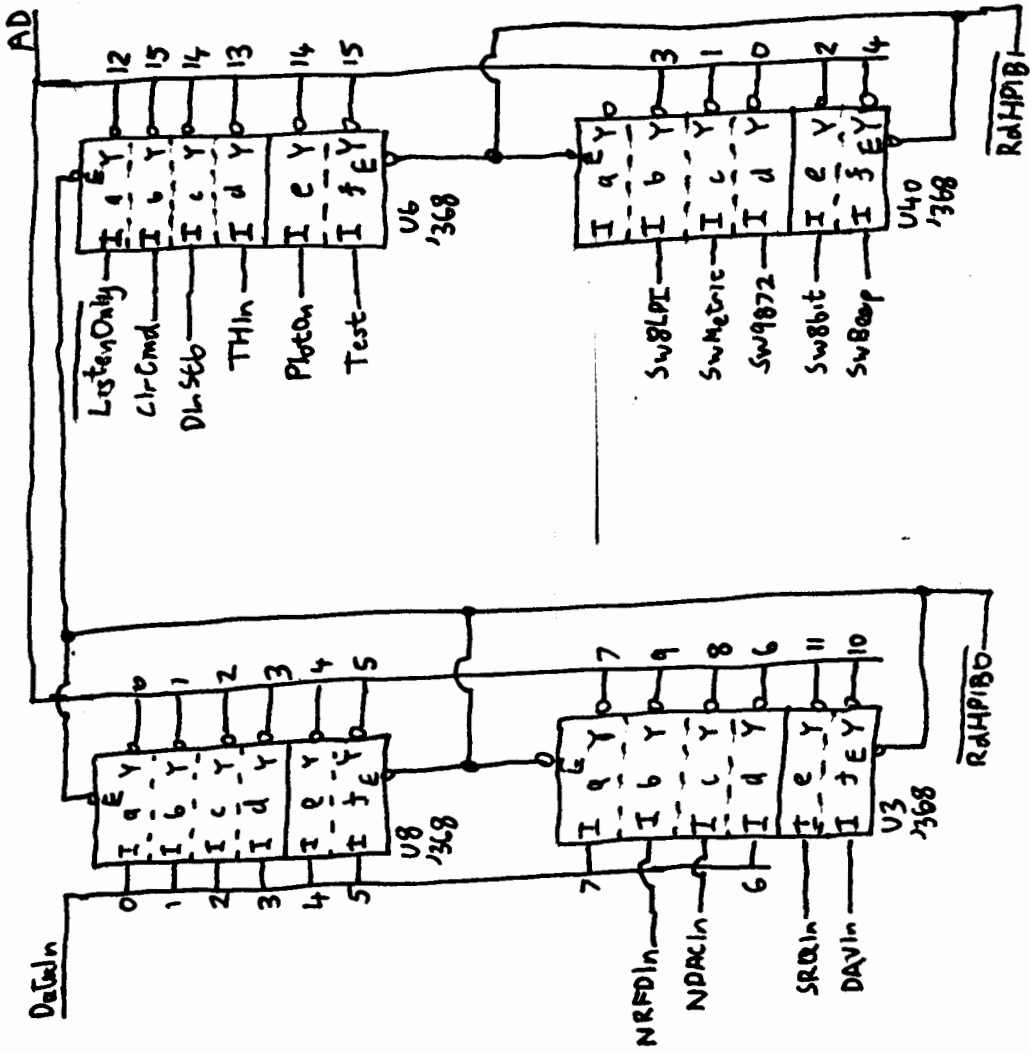
HP7245A HP1B PCB Sket 4



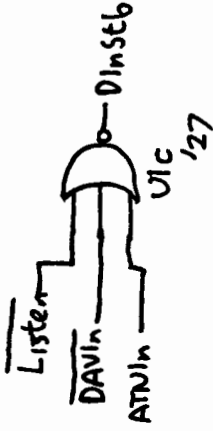
07245 - 6015

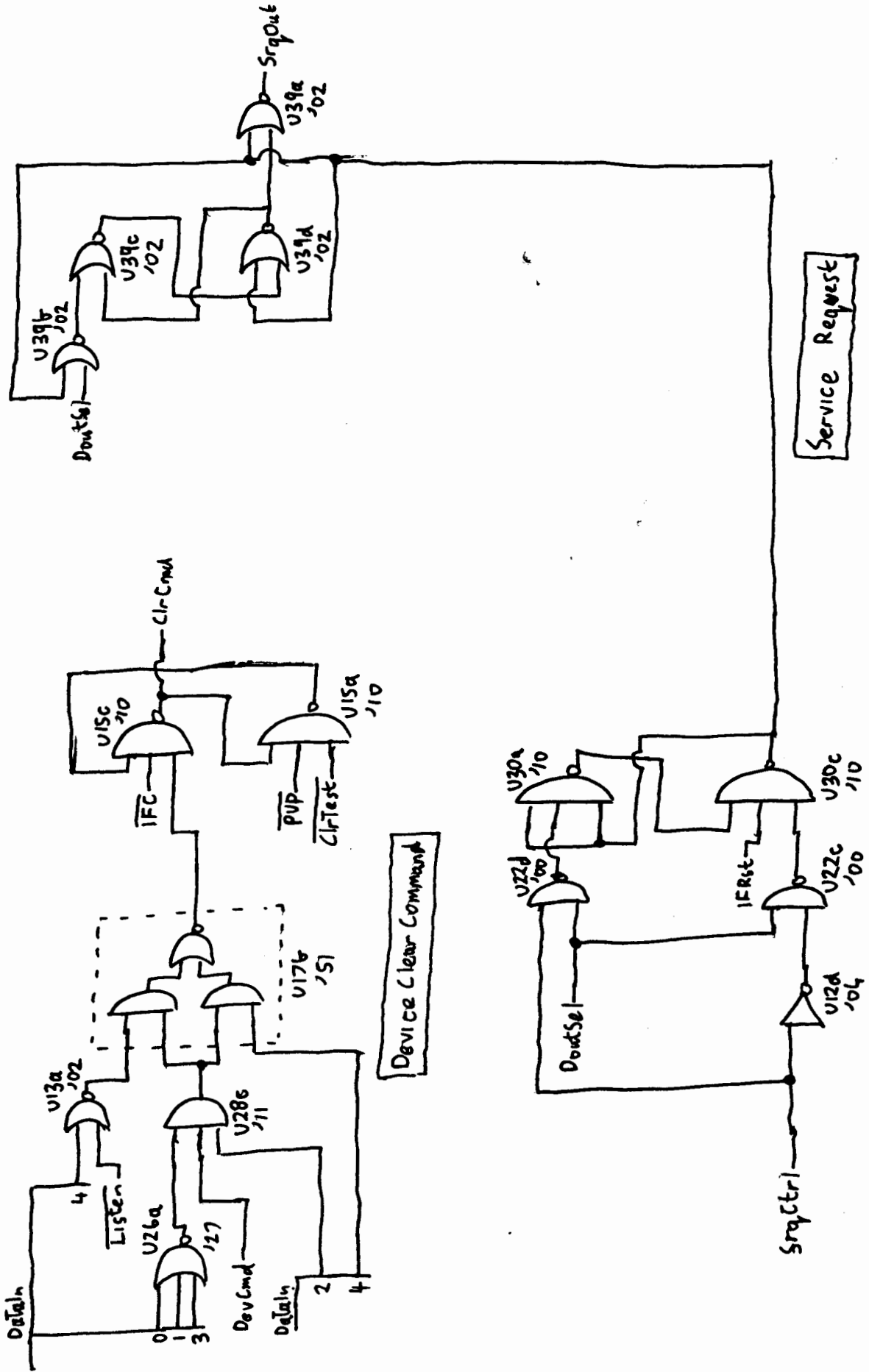
HP7245A HP18 PCB Sheet 5





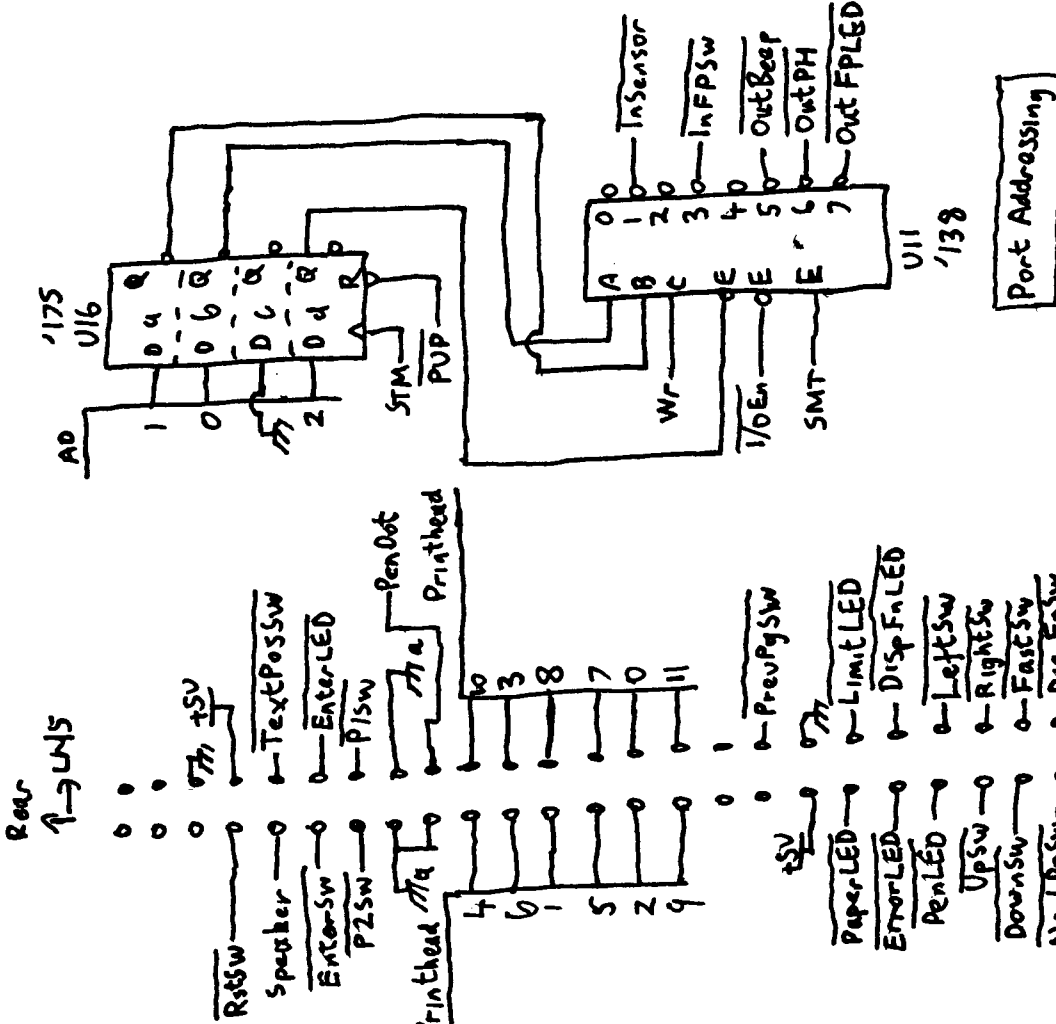
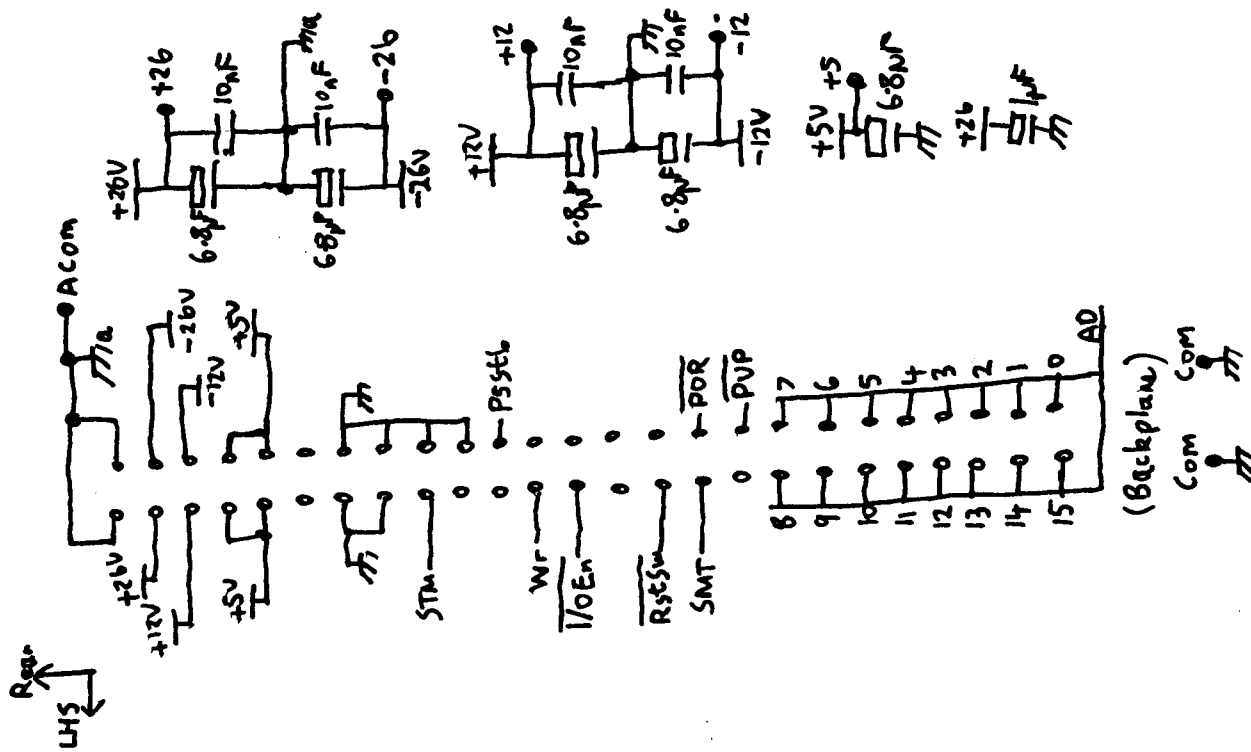
Input Ports



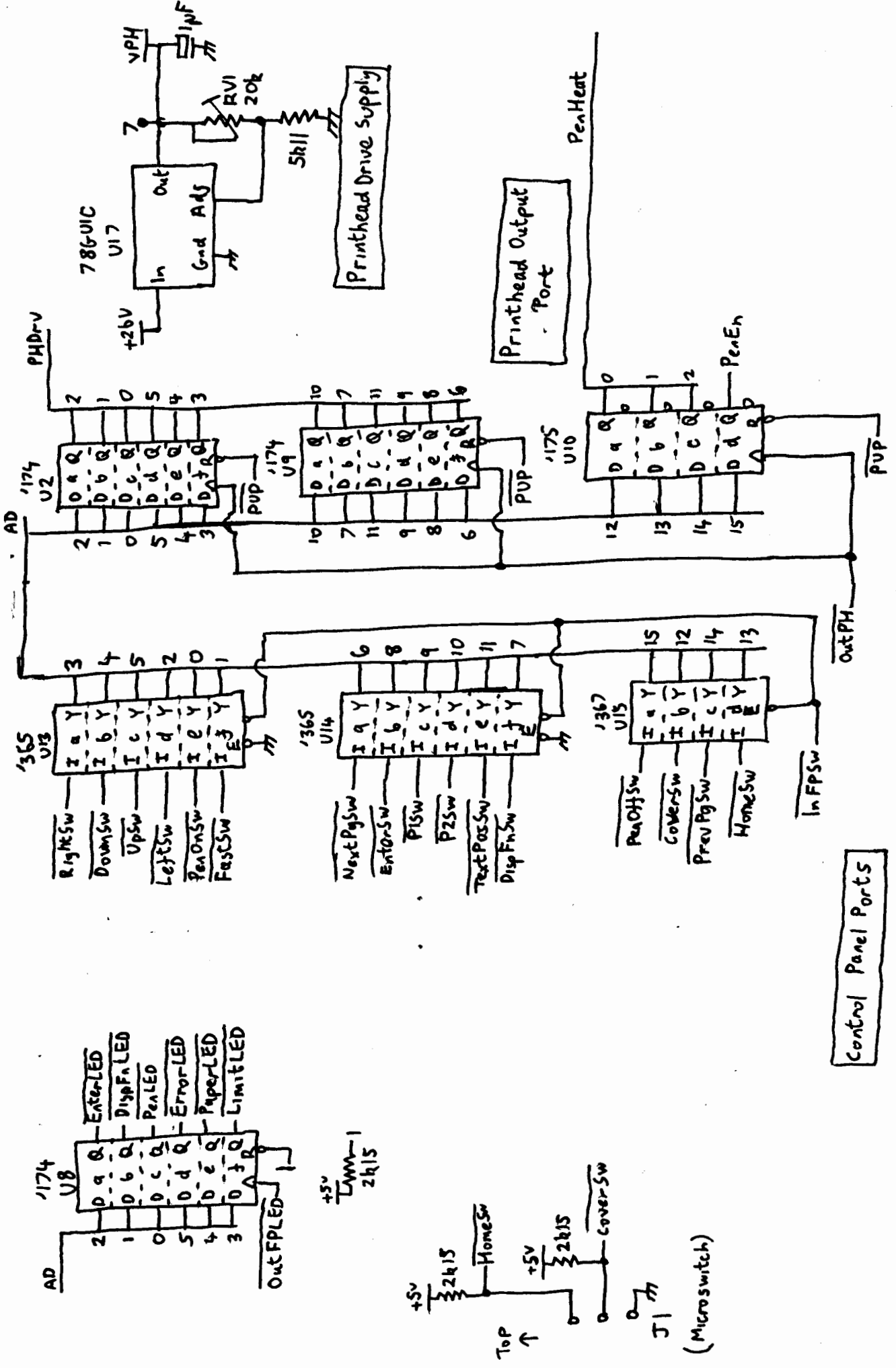


07245-60115

HP 7245 HP1B PCB Sheet 8



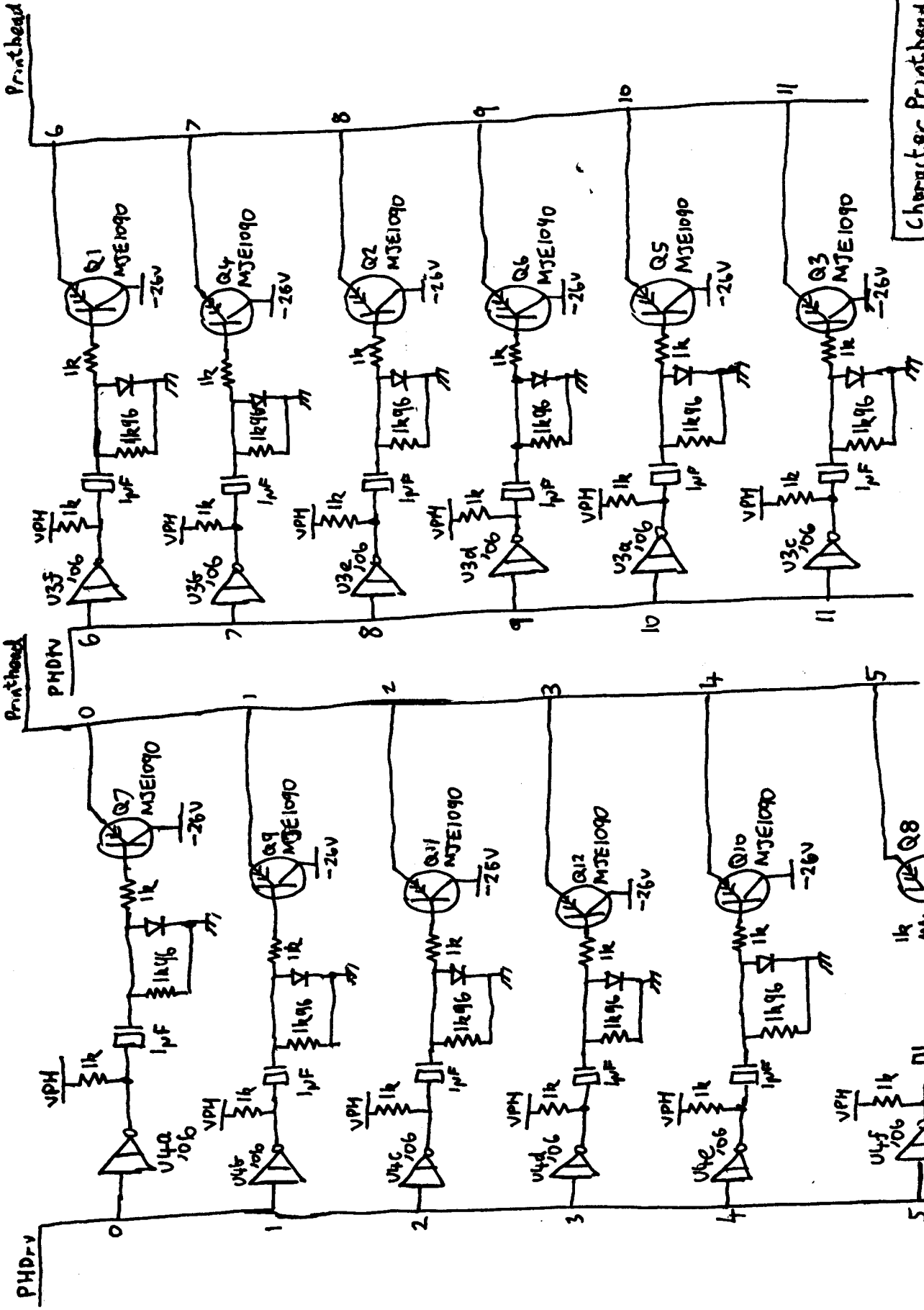
J3  
 (Ribbon Cable  
 to Control Panels  
 and Printhead  
 Connector)



HP 7245A I/O PCB Sheet ② 07245 -60117

Control Panel Ports





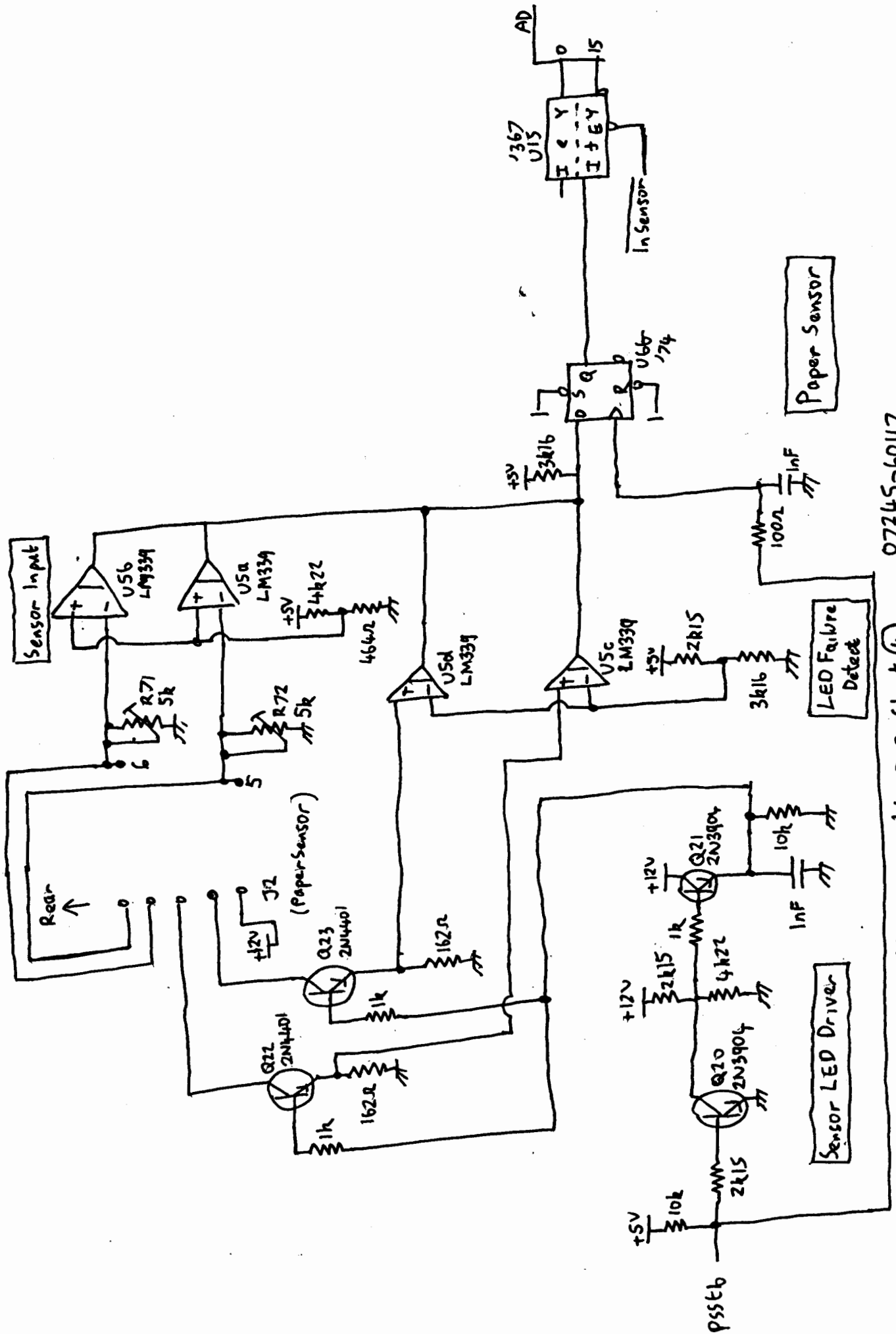
Character Printhead Driver

07245-60117

Sheet 3

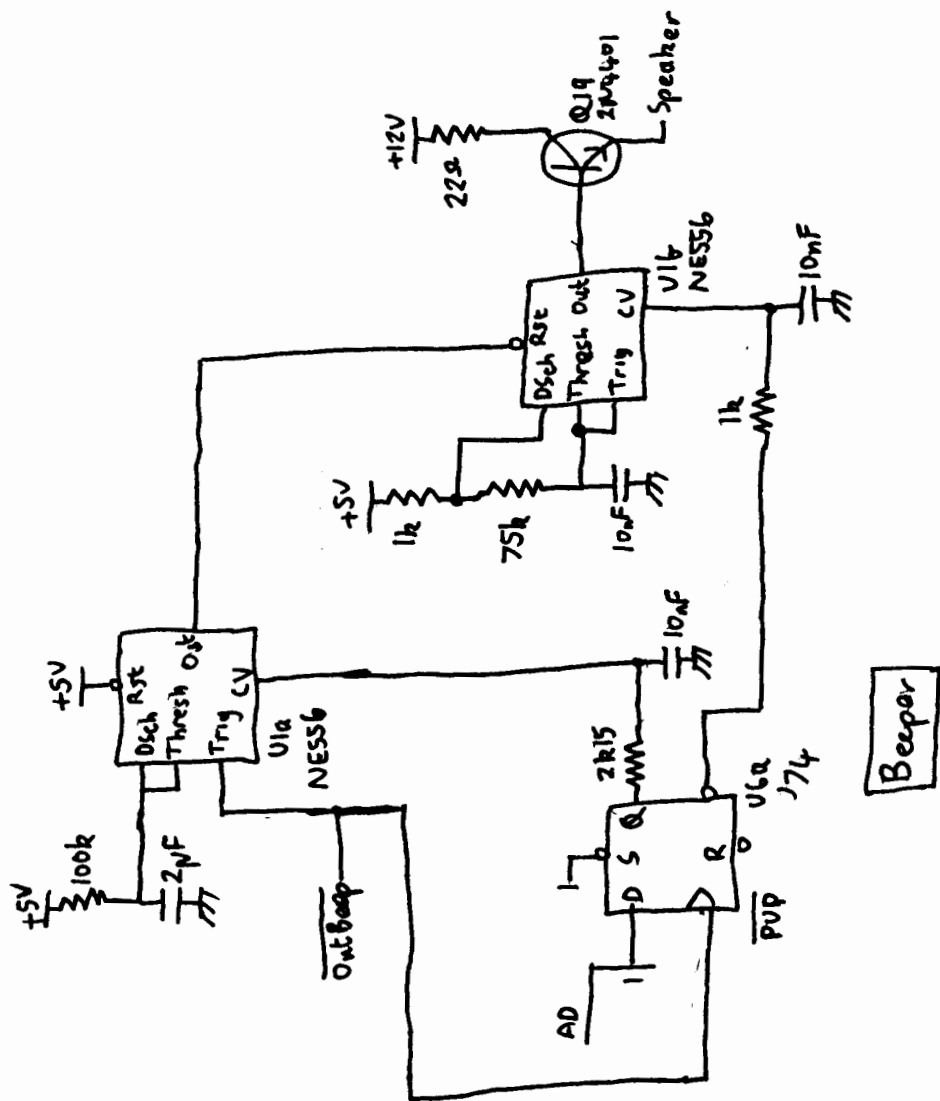
I/O PCB

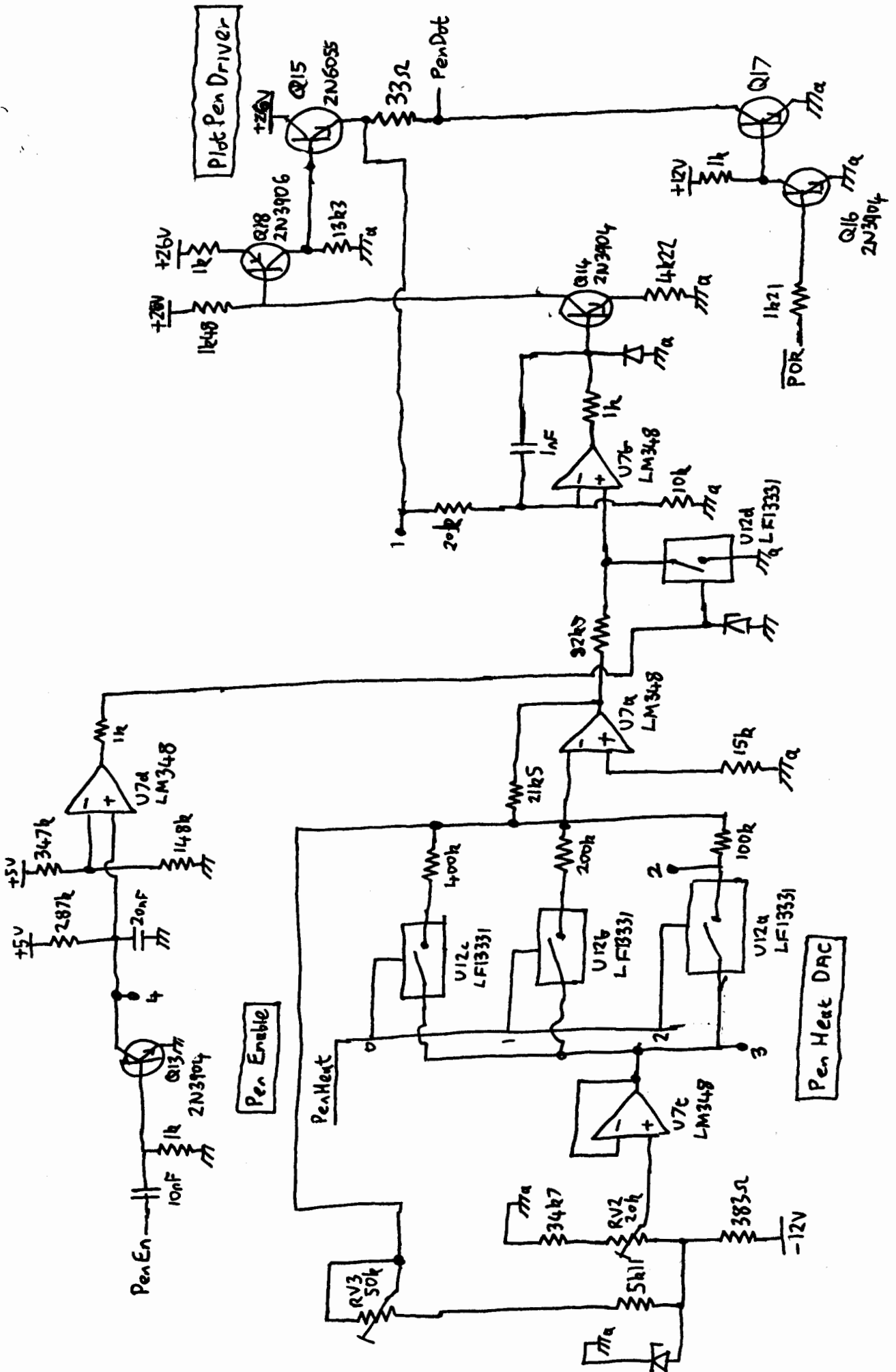
HP7245A



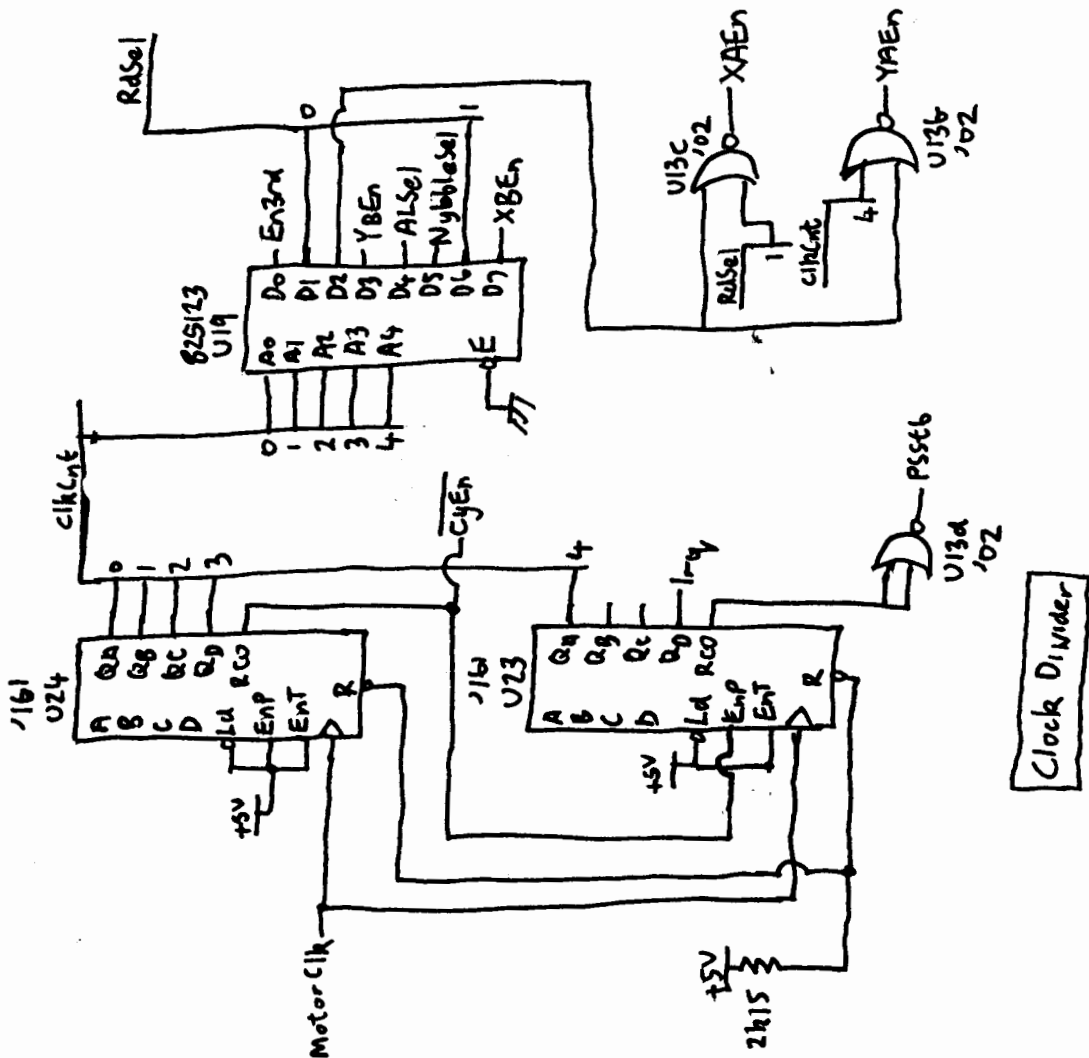
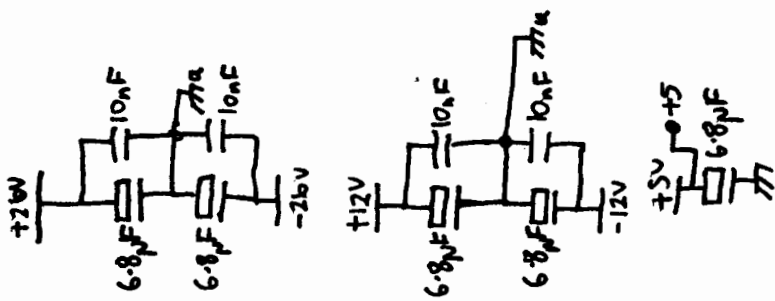
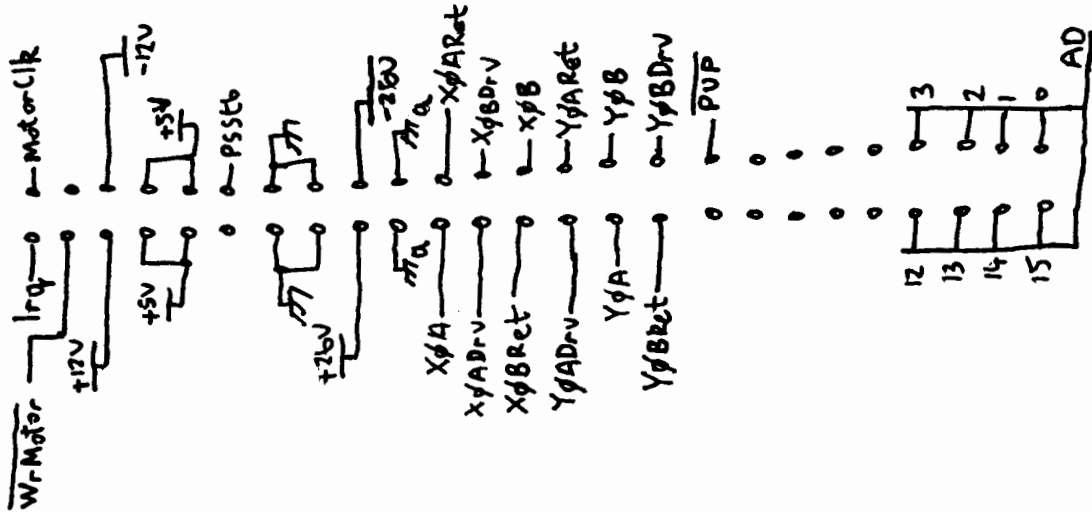
07245-60117

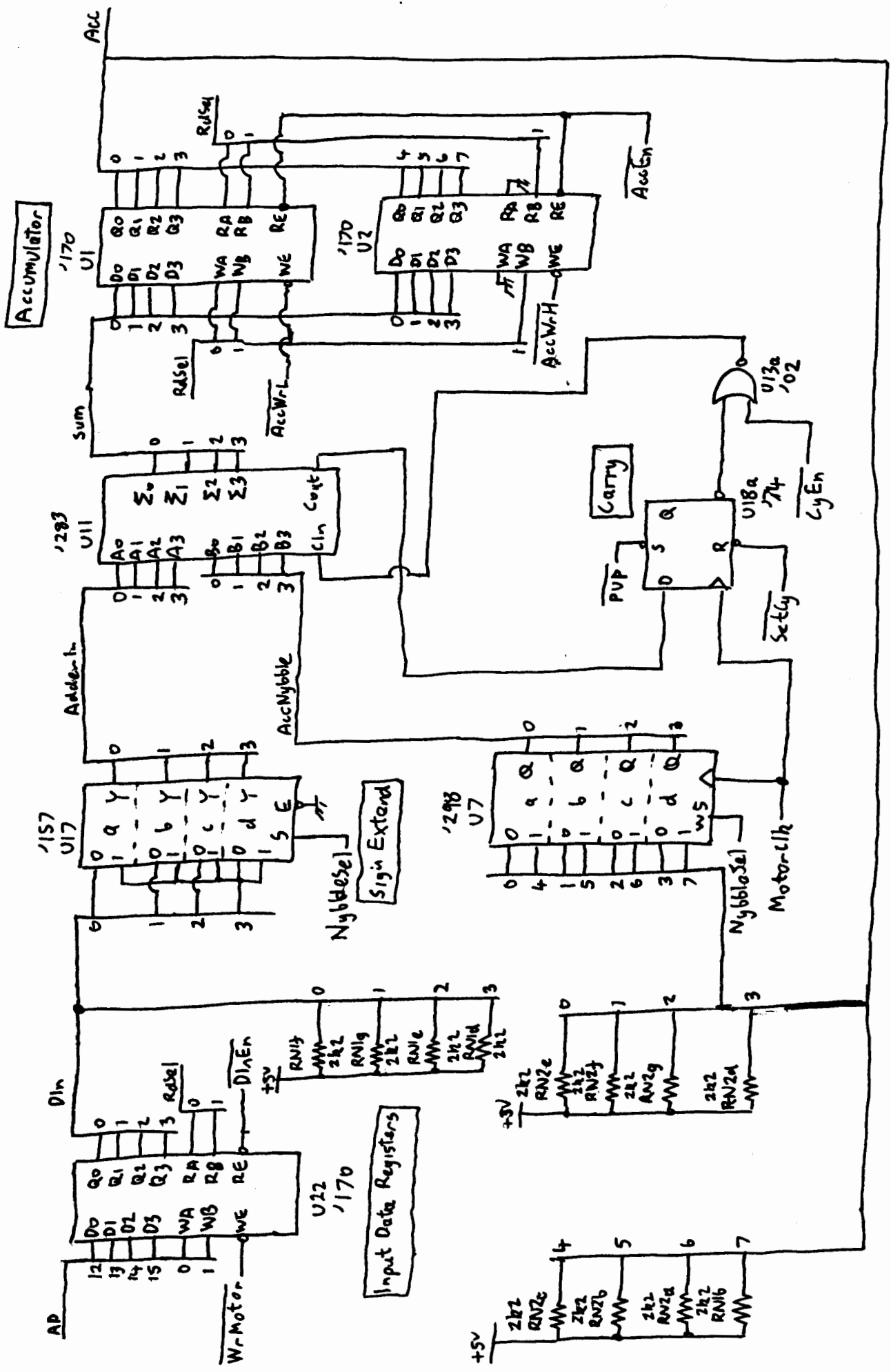
HP7245A I/O PCB Sheet 4

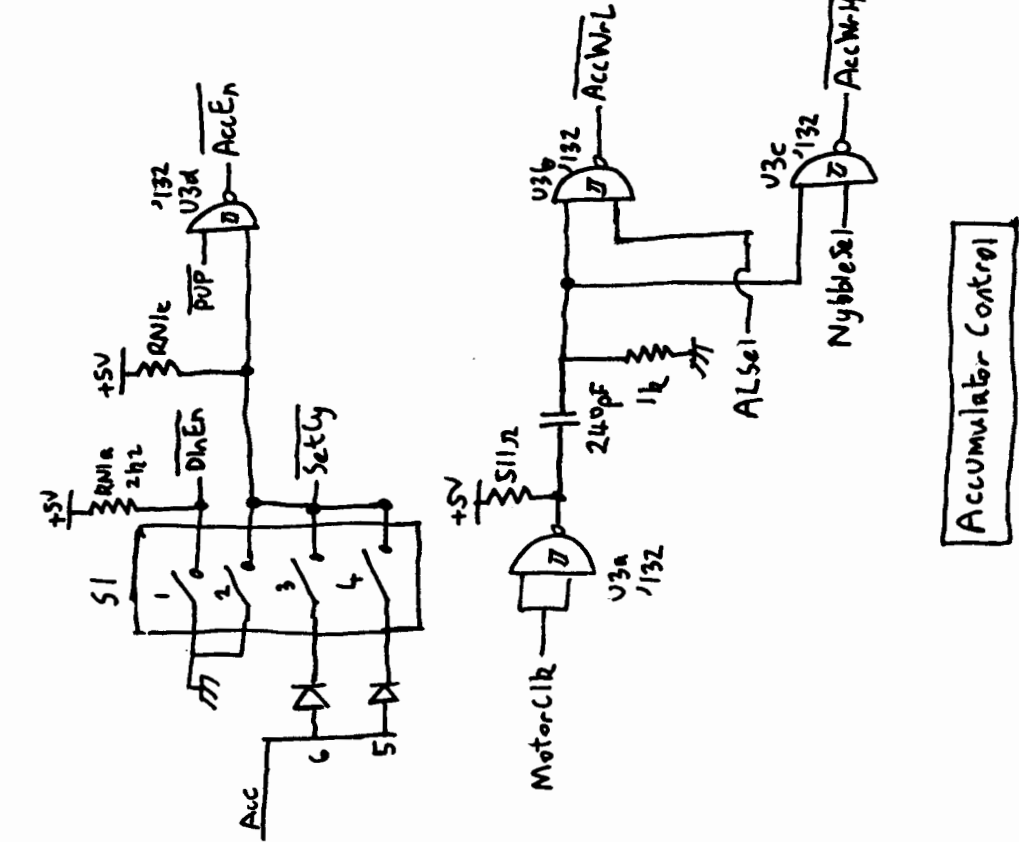
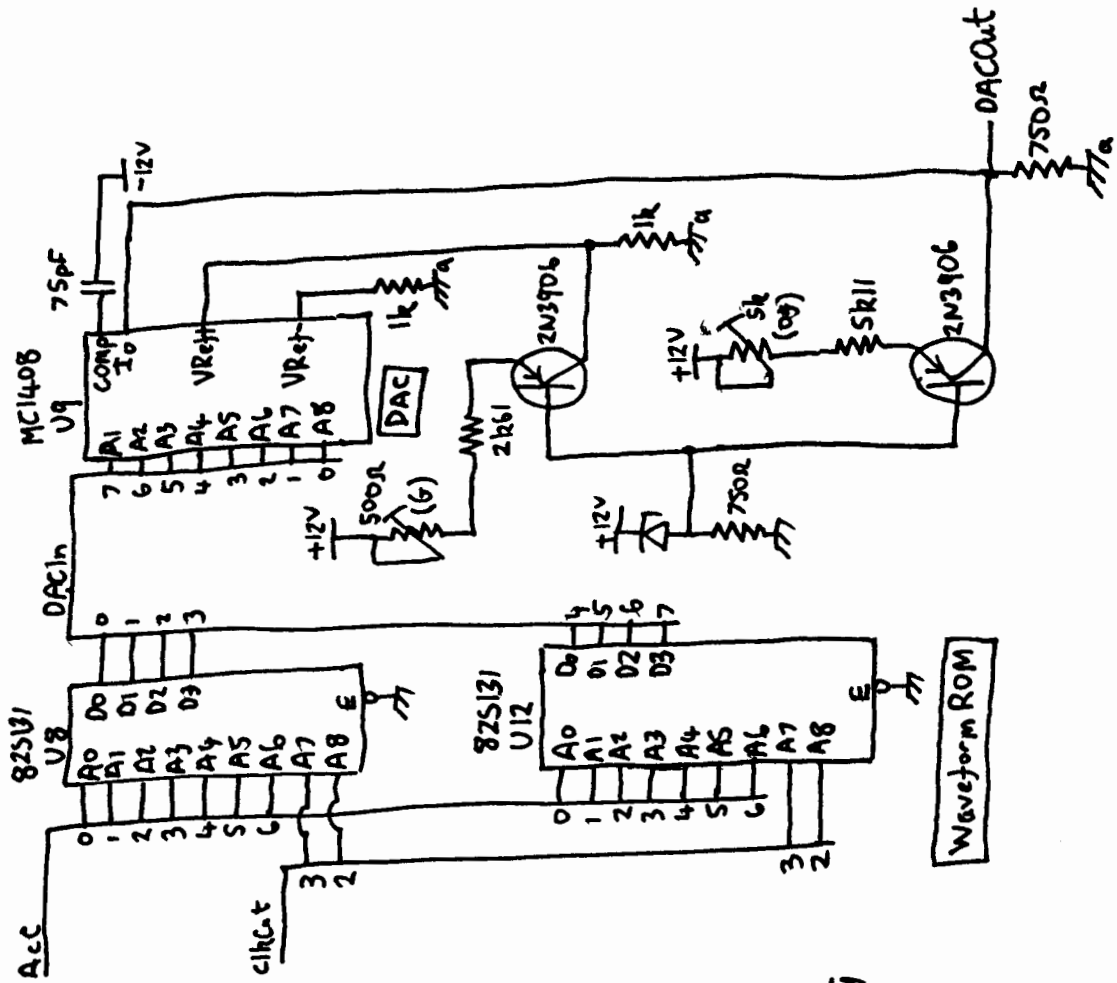


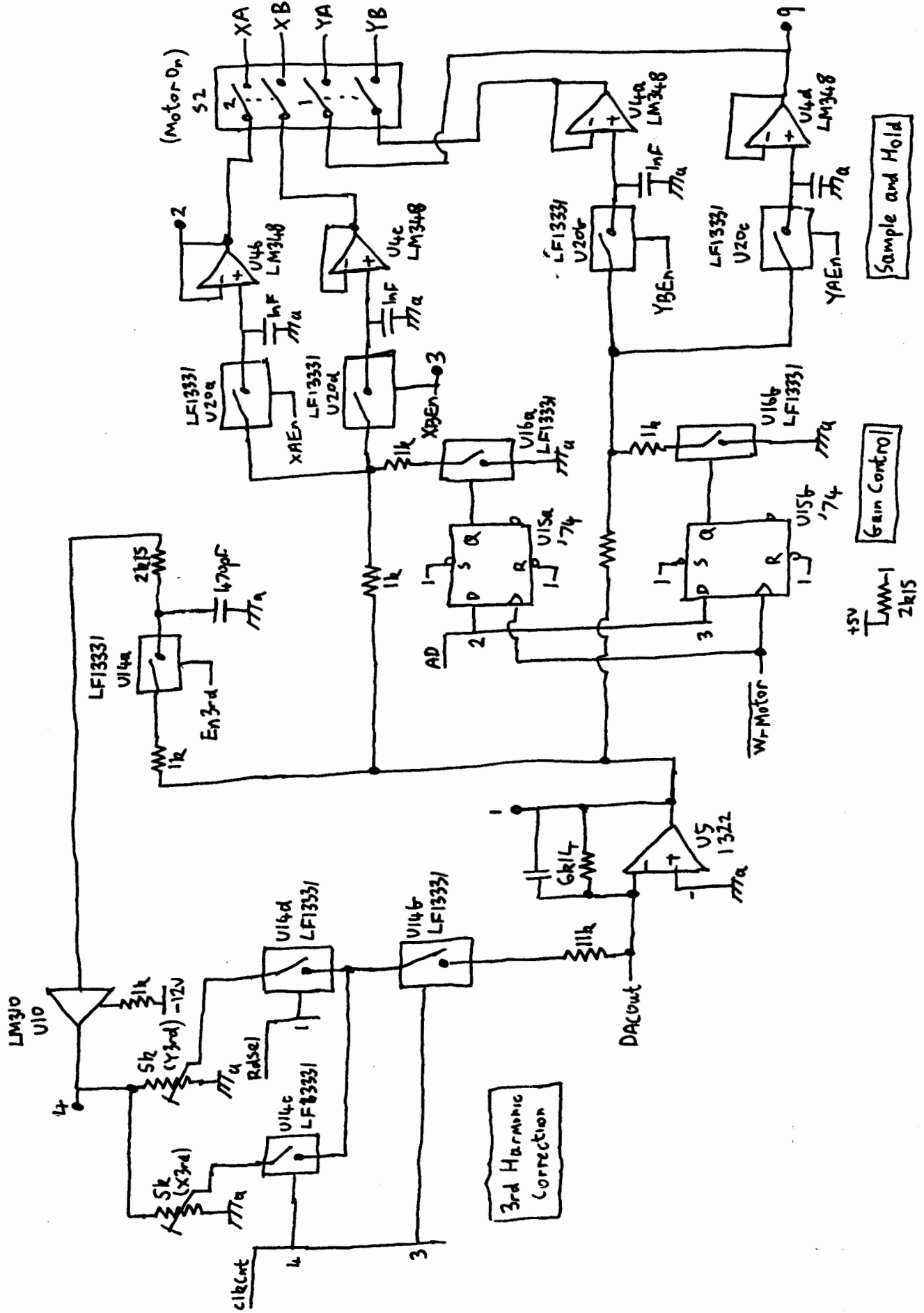


Raw  
415

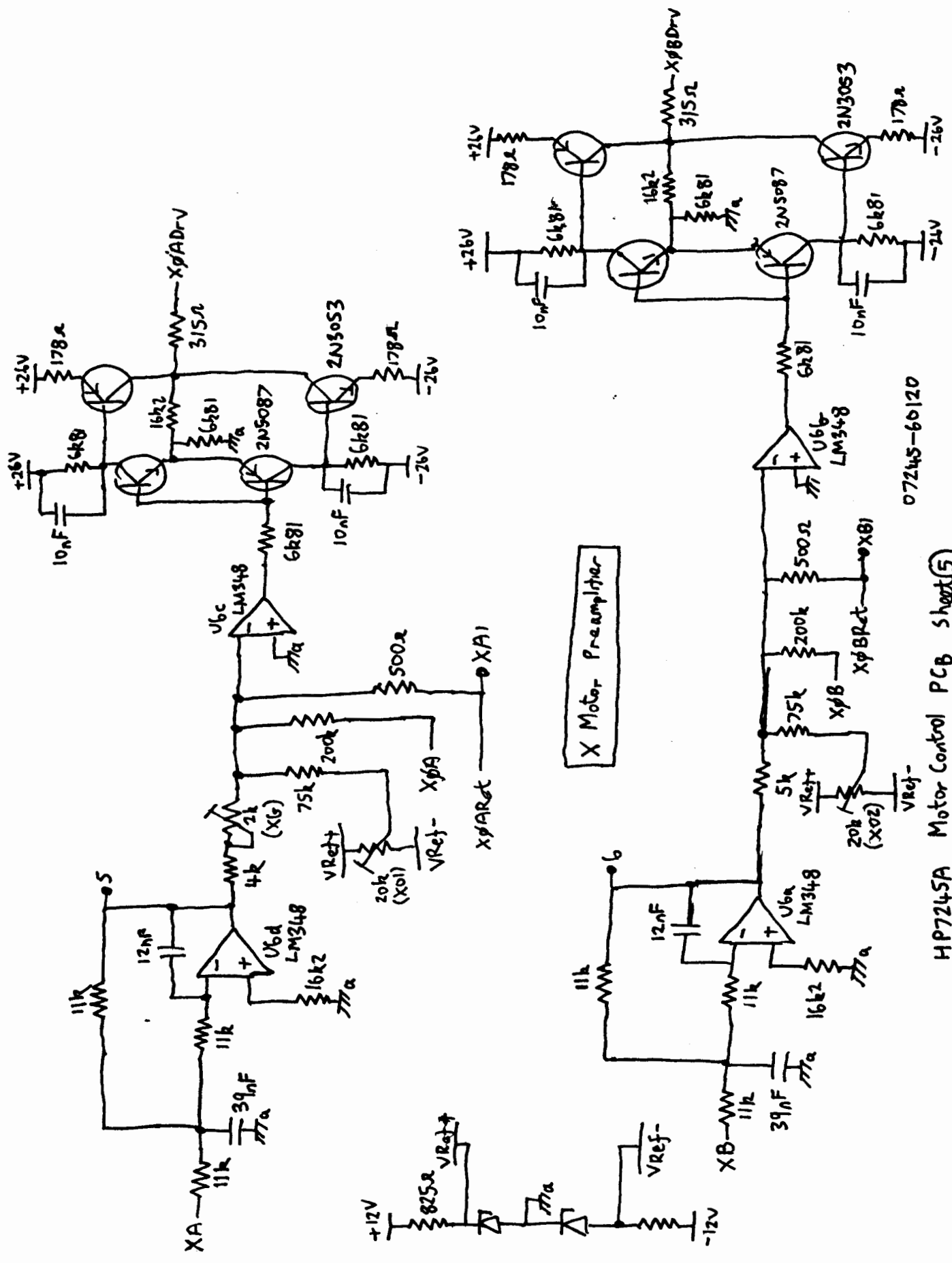




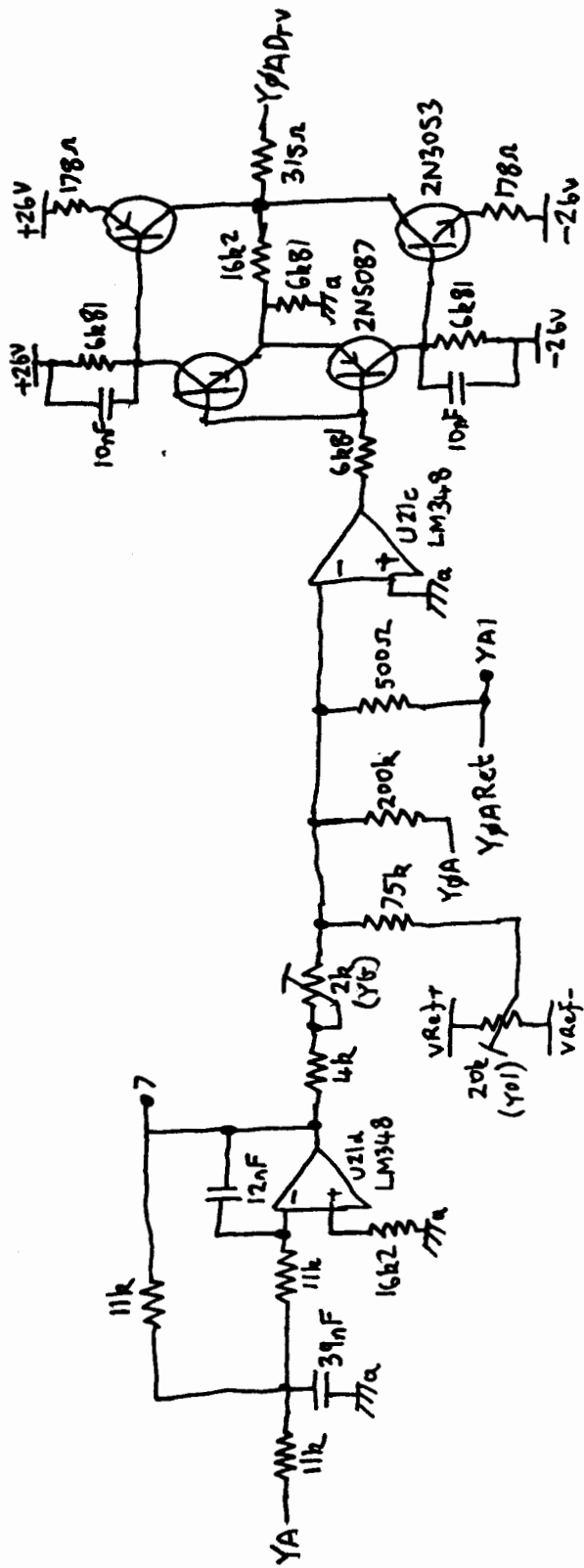




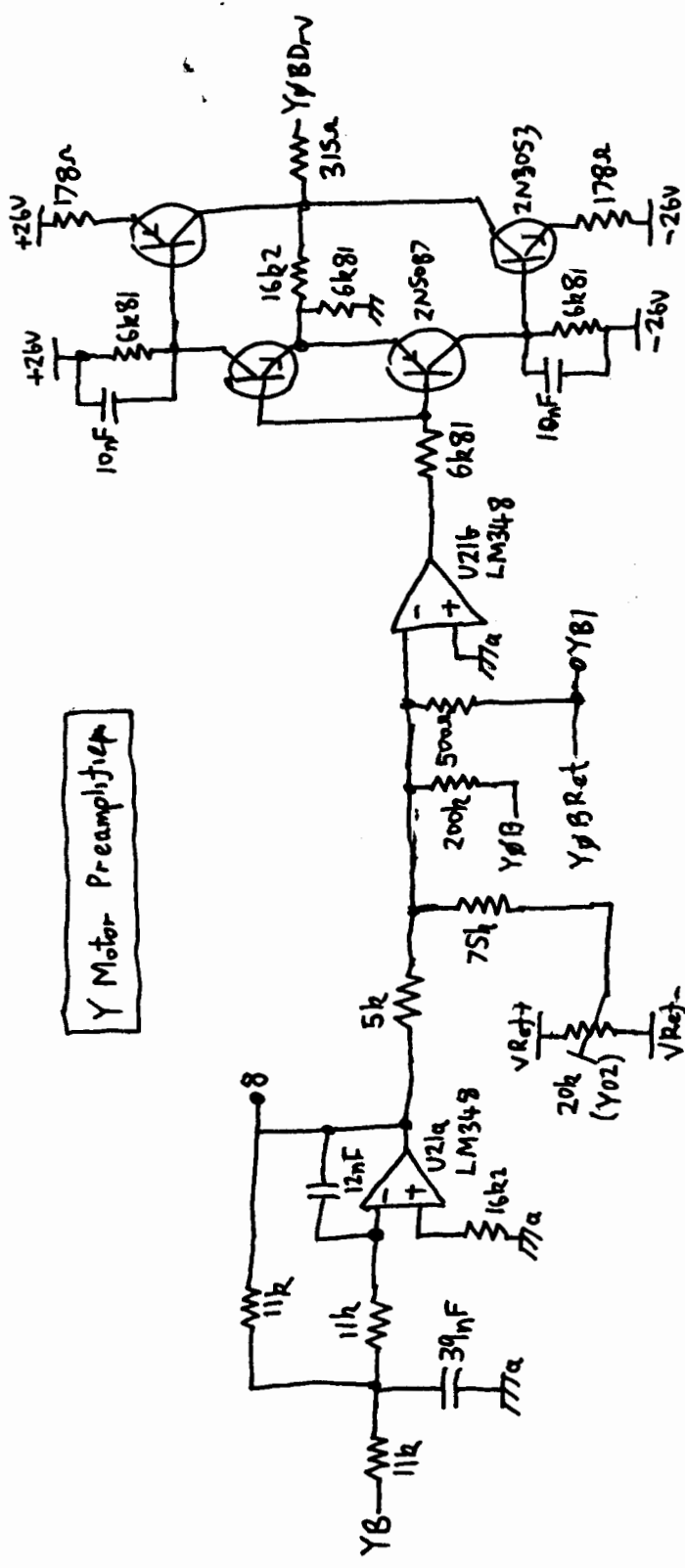




07245-60120



Y Motor Preamplifier



Enter	Text Pos
-------	-------------

P1	P2
----	----

Resol
-------

Left Hand

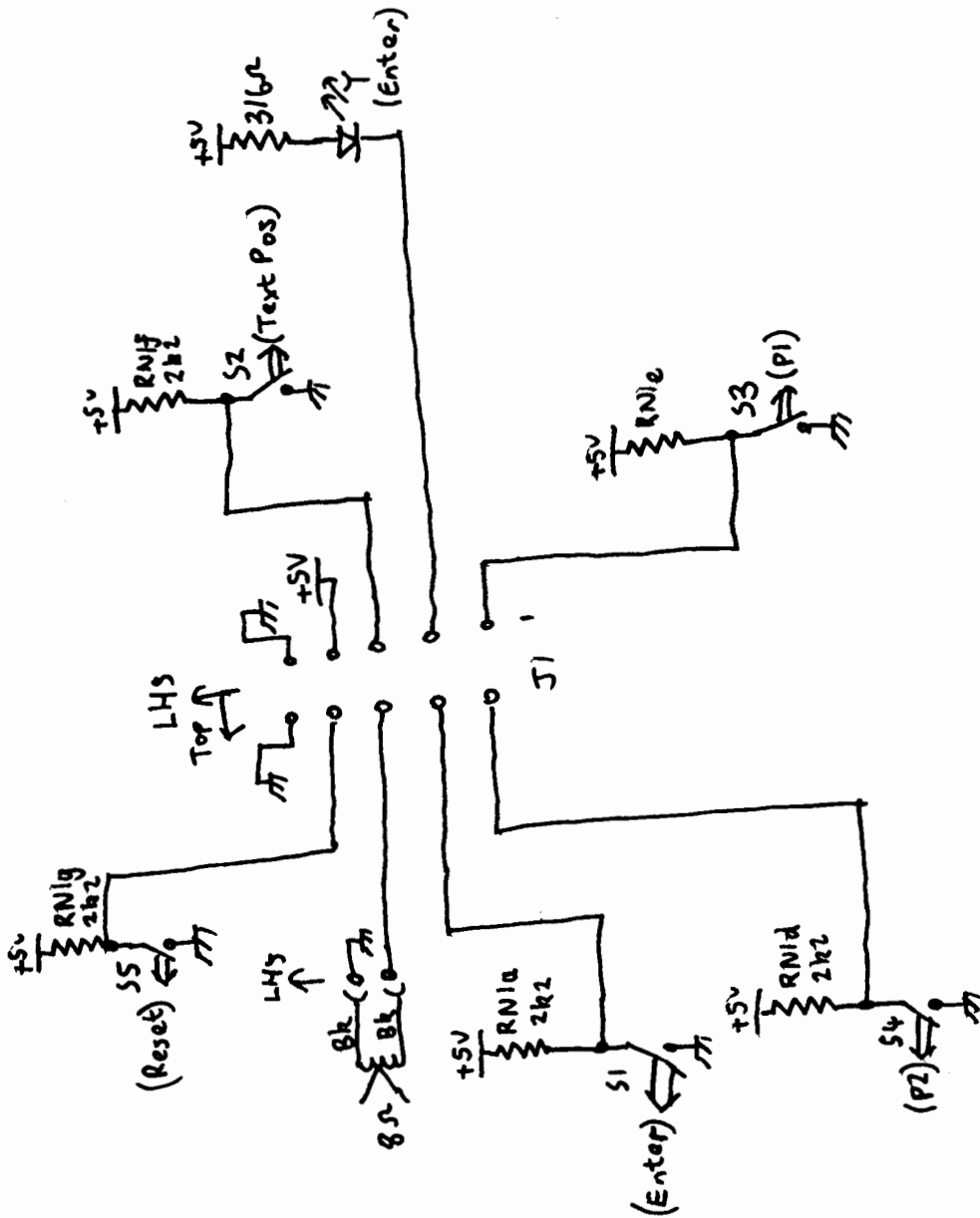
▲	Fast →
←	↓

Pen On	Pen Off	Disply Focus
-----------	------------	-----------------

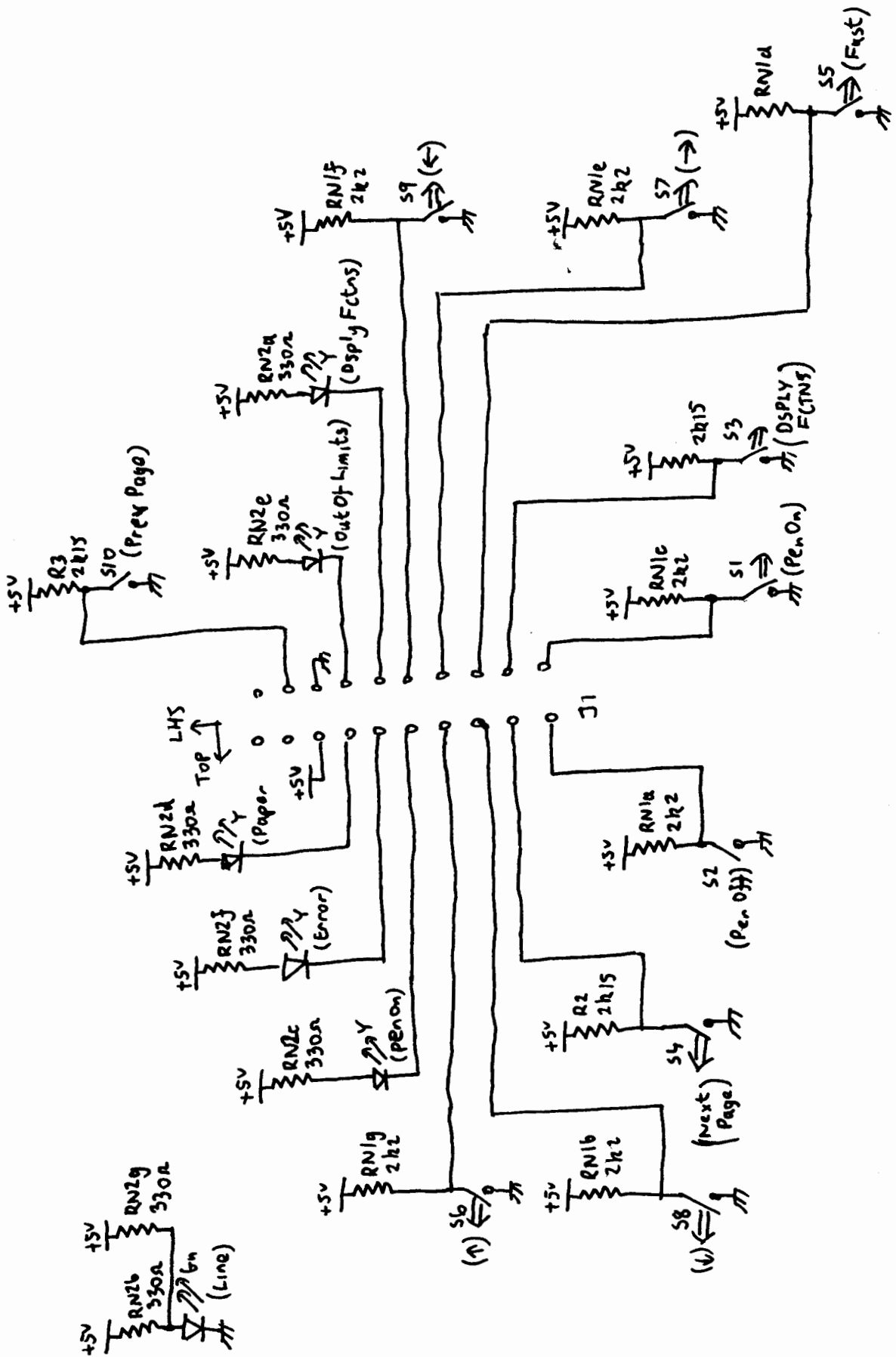
Prev Page	Next Page
--------------	--------------

Right Hand

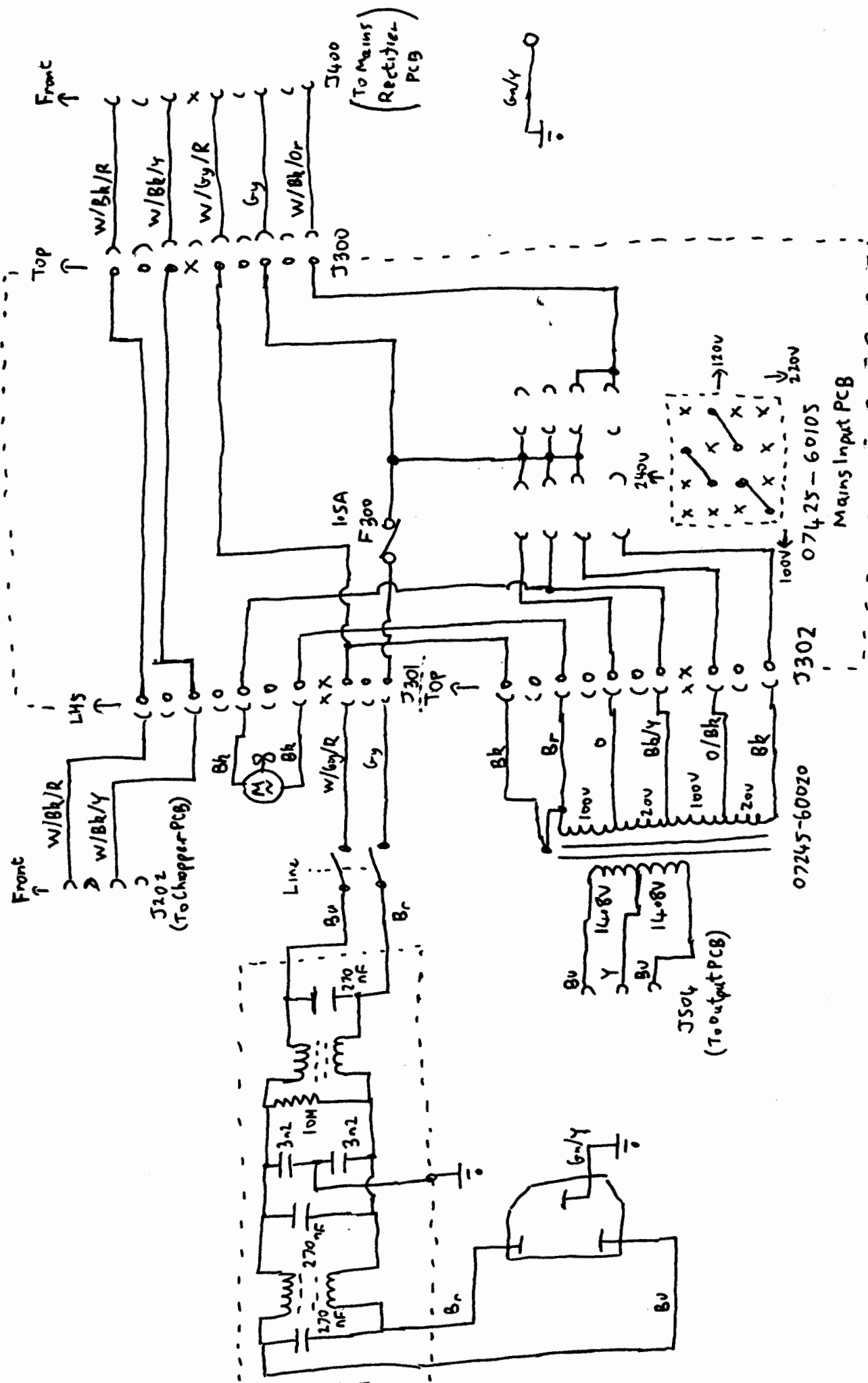
HP7245A Control Panels



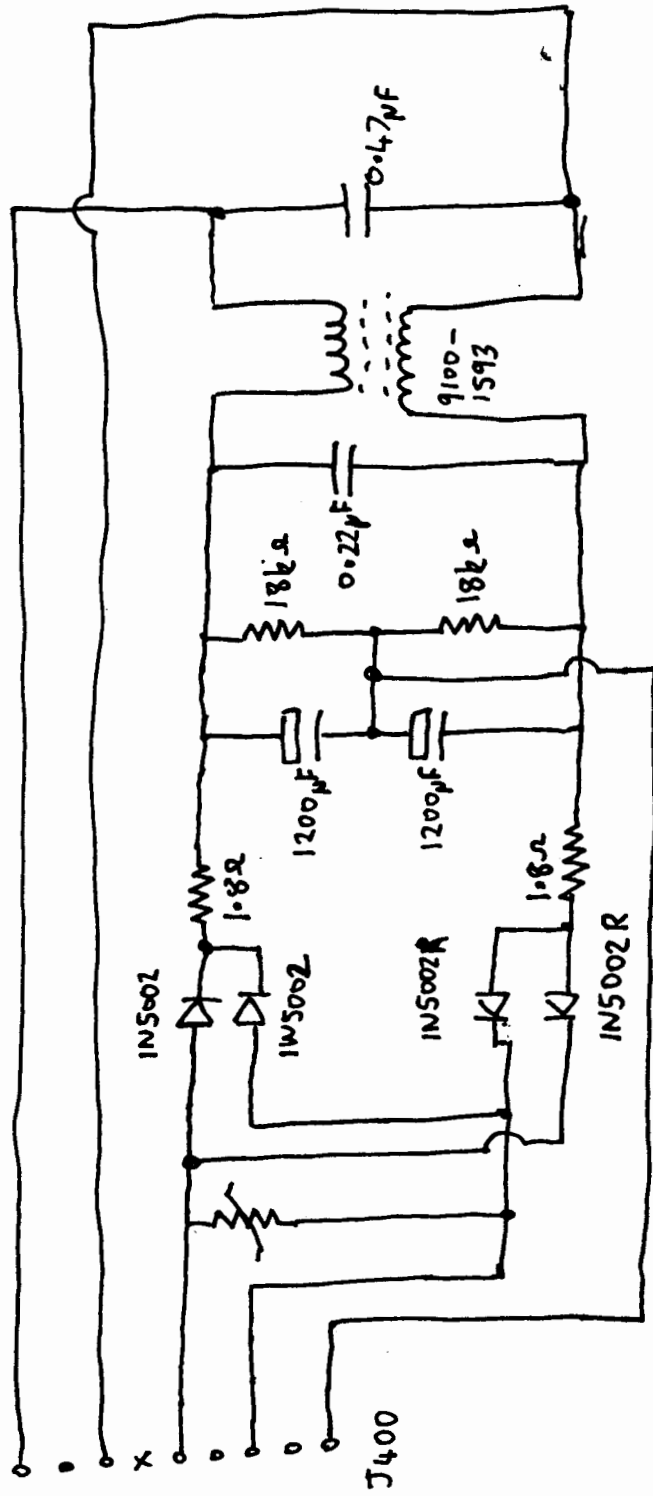
HP7245A Left-Hand Control Panel PCB 07245-60113



HP7245A Right-Hand Control Panel PCB 07245-6014

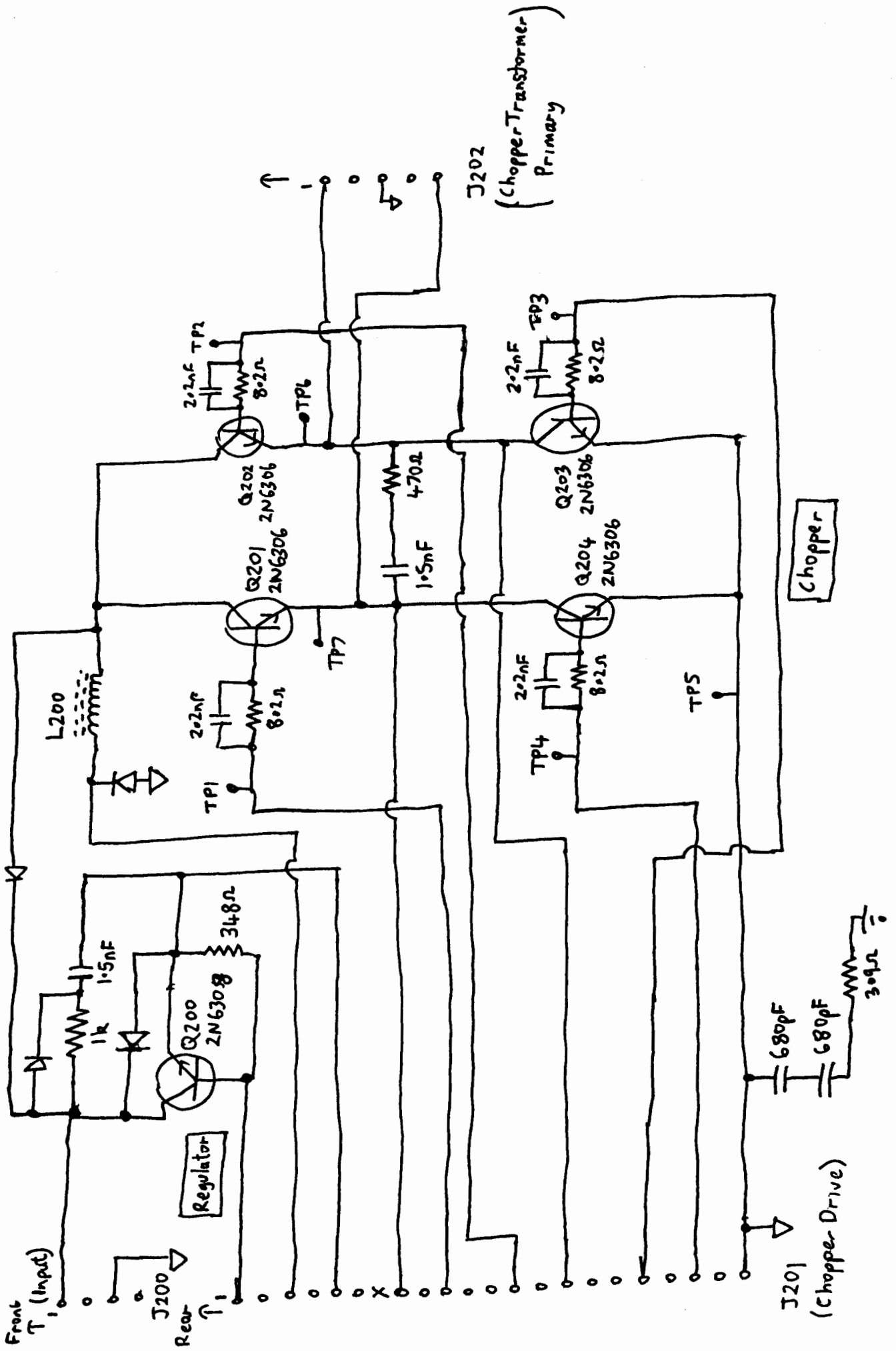


HP7245A Mains Input Wiring



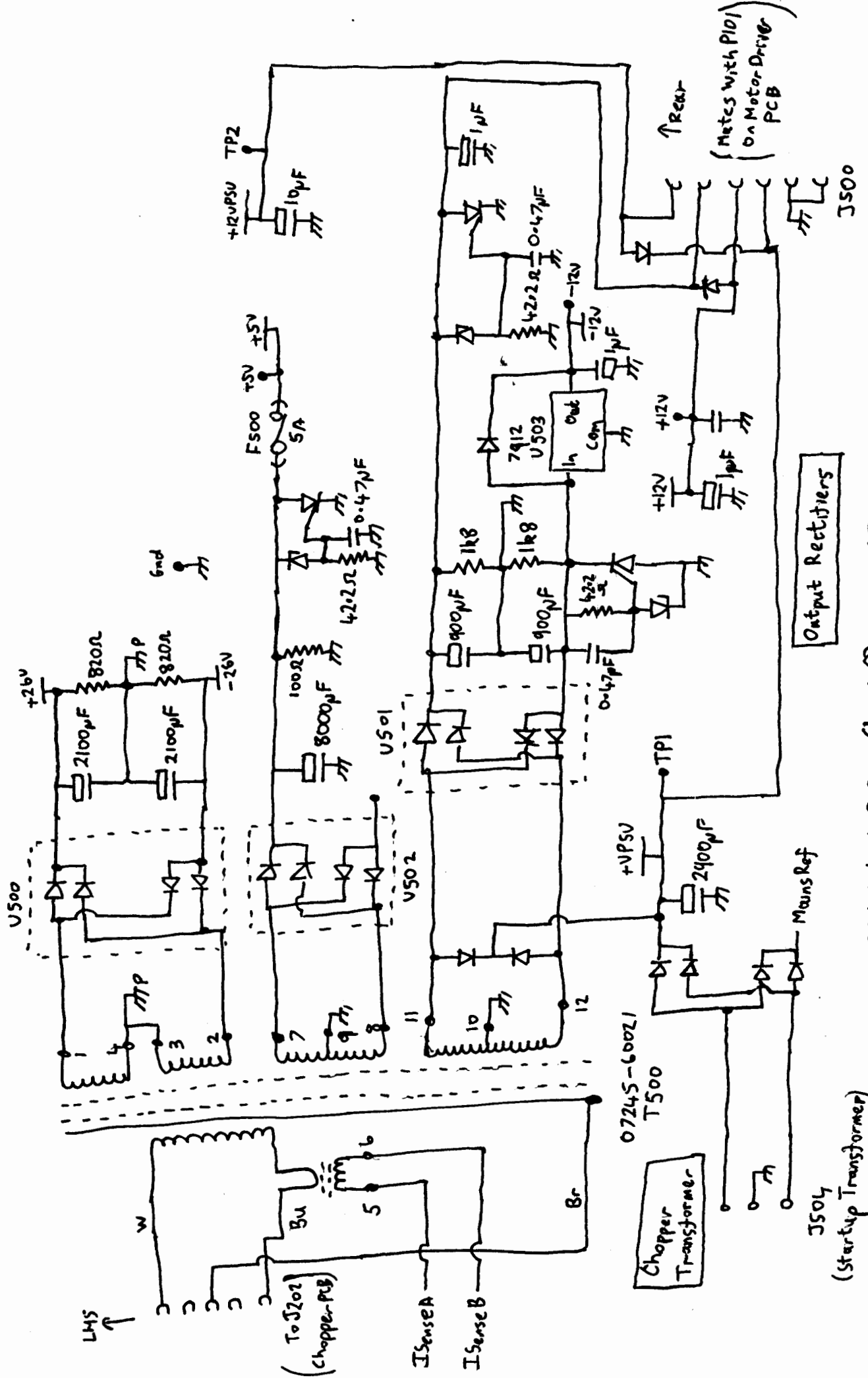
07245-60106

HP7245A Mains Rectifier PCB



HP7245A Chopper PCB 07245-60108





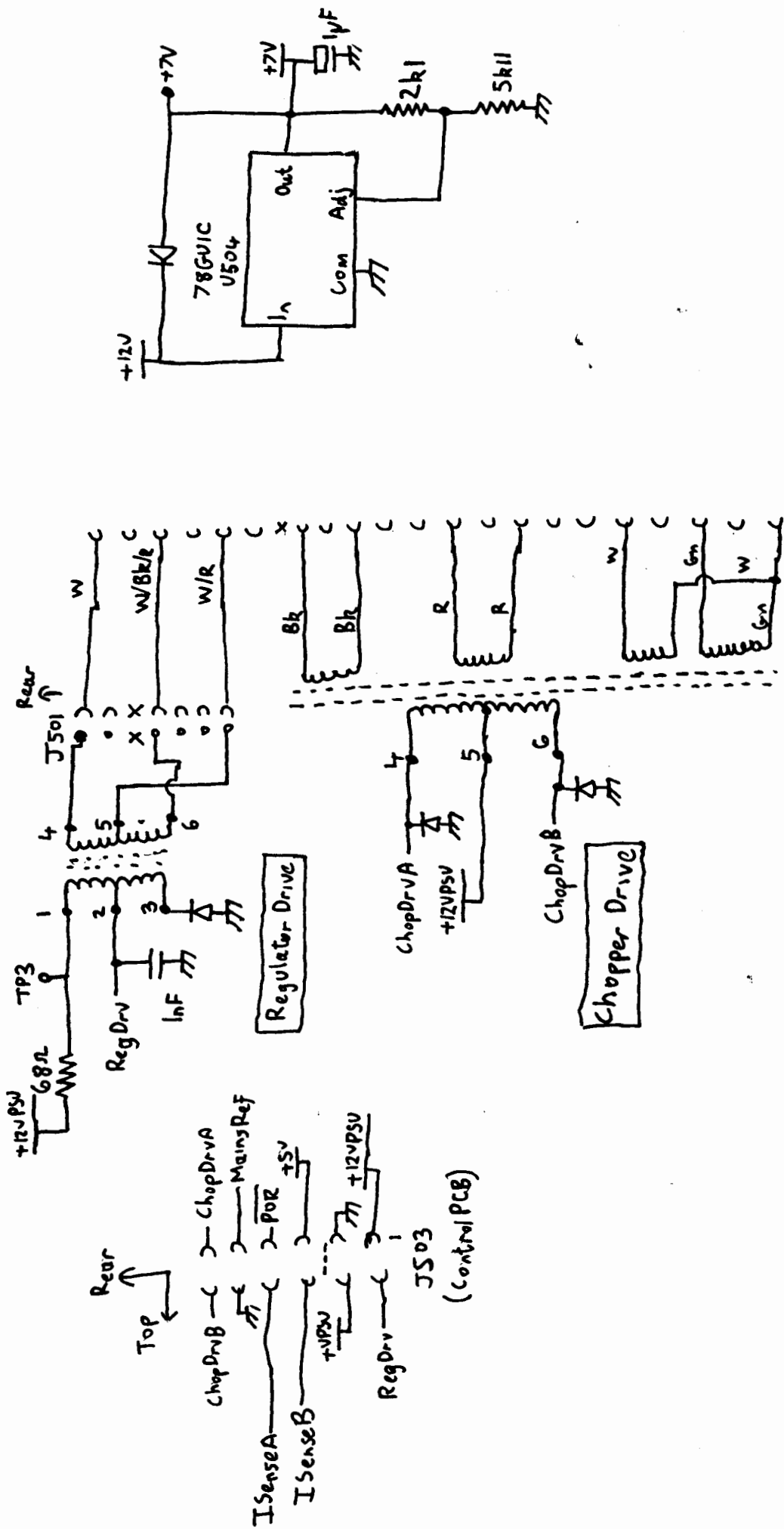
Output Rectifiers

Chopper Transformer

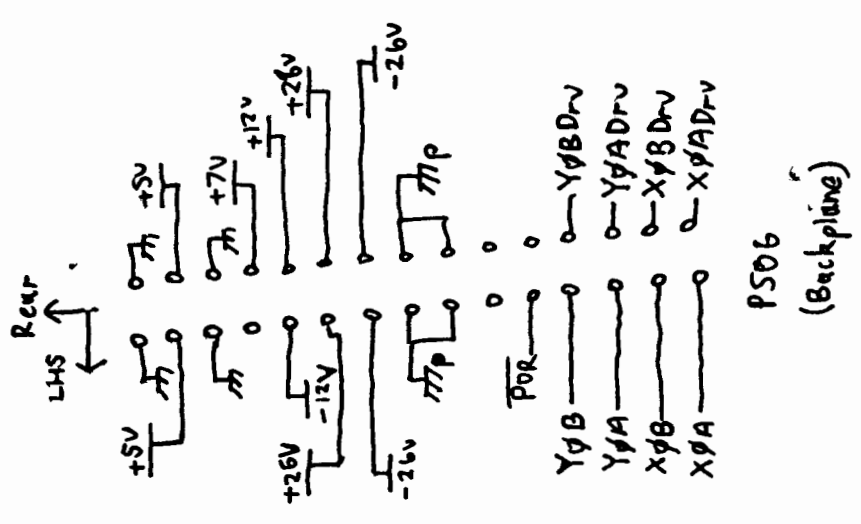
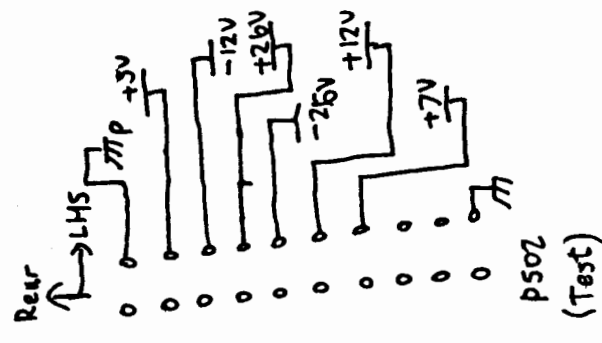
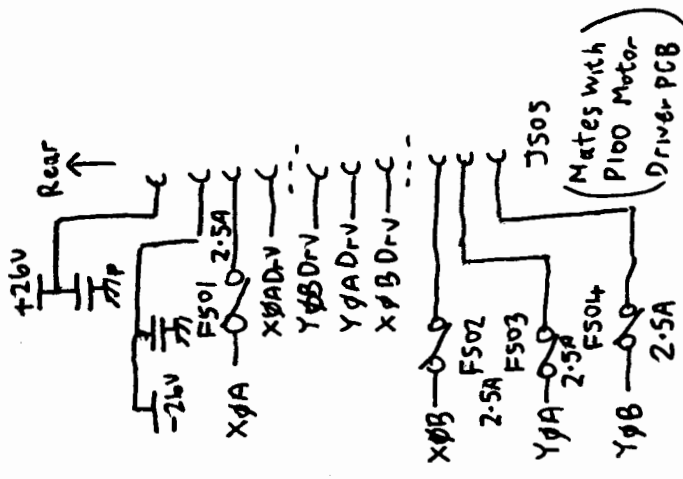
J504  
(Startup Transformer)

↑ REXT  
(Mates with PID)  
(on Motor Driver PCB)

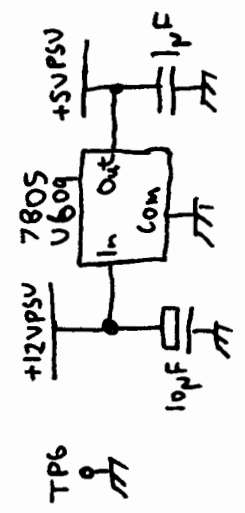
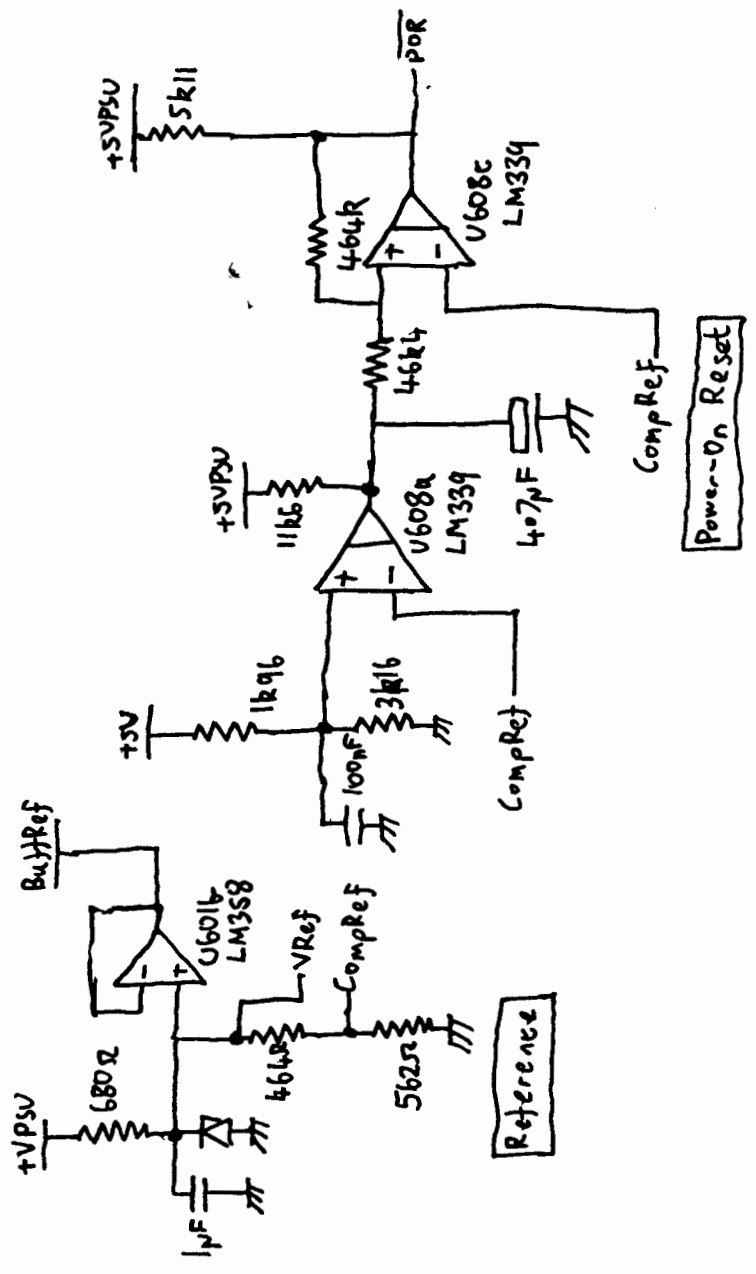
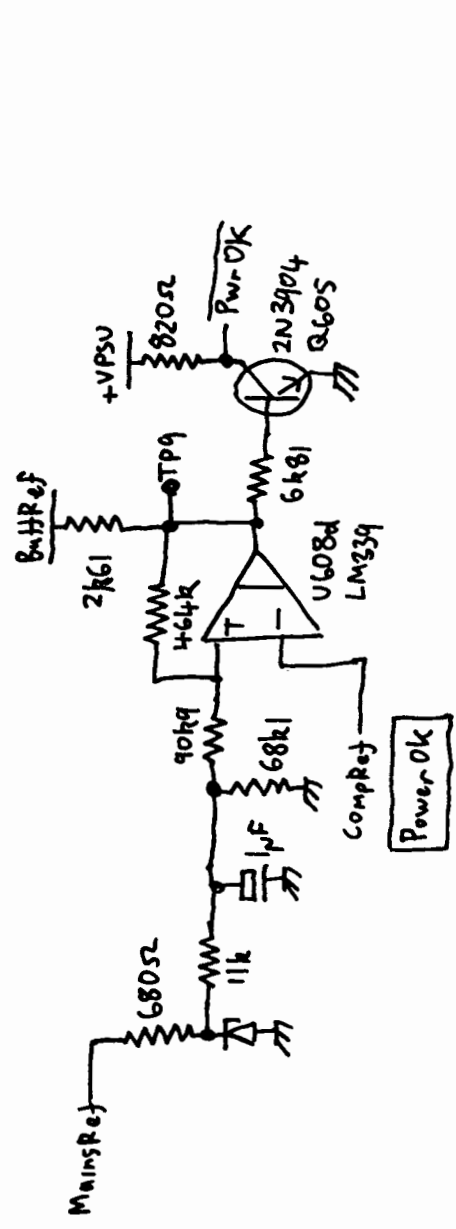
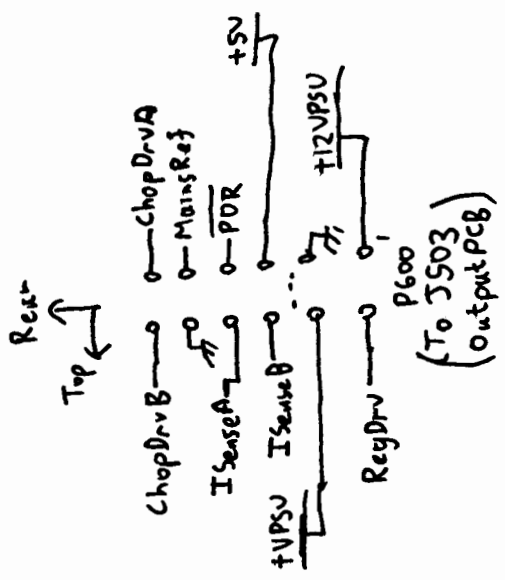
HP7245A PSU output PCB Sheet ① 07245-60107

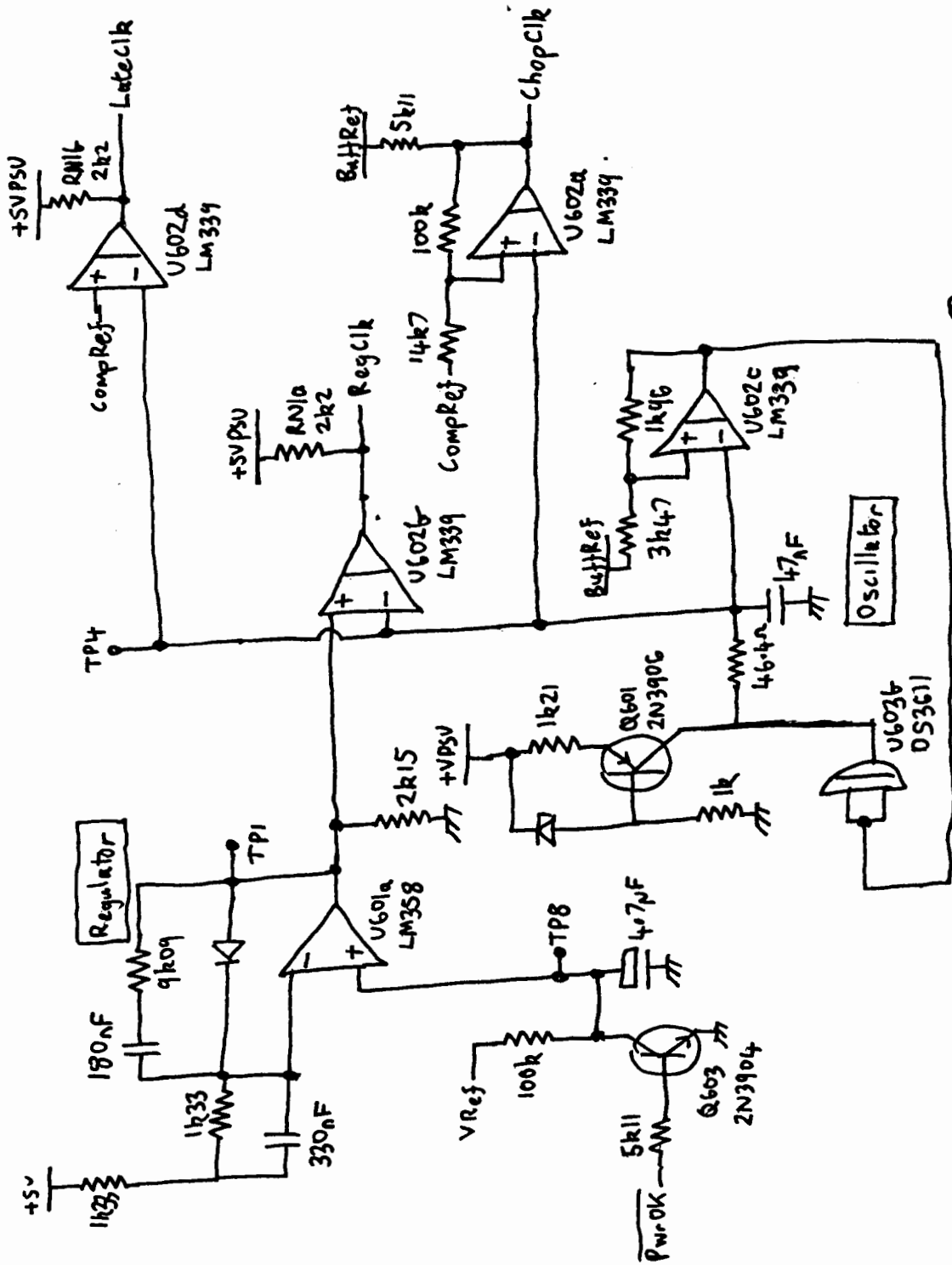


07245-60022  
 (To J201)  
 (Chopper PCB)

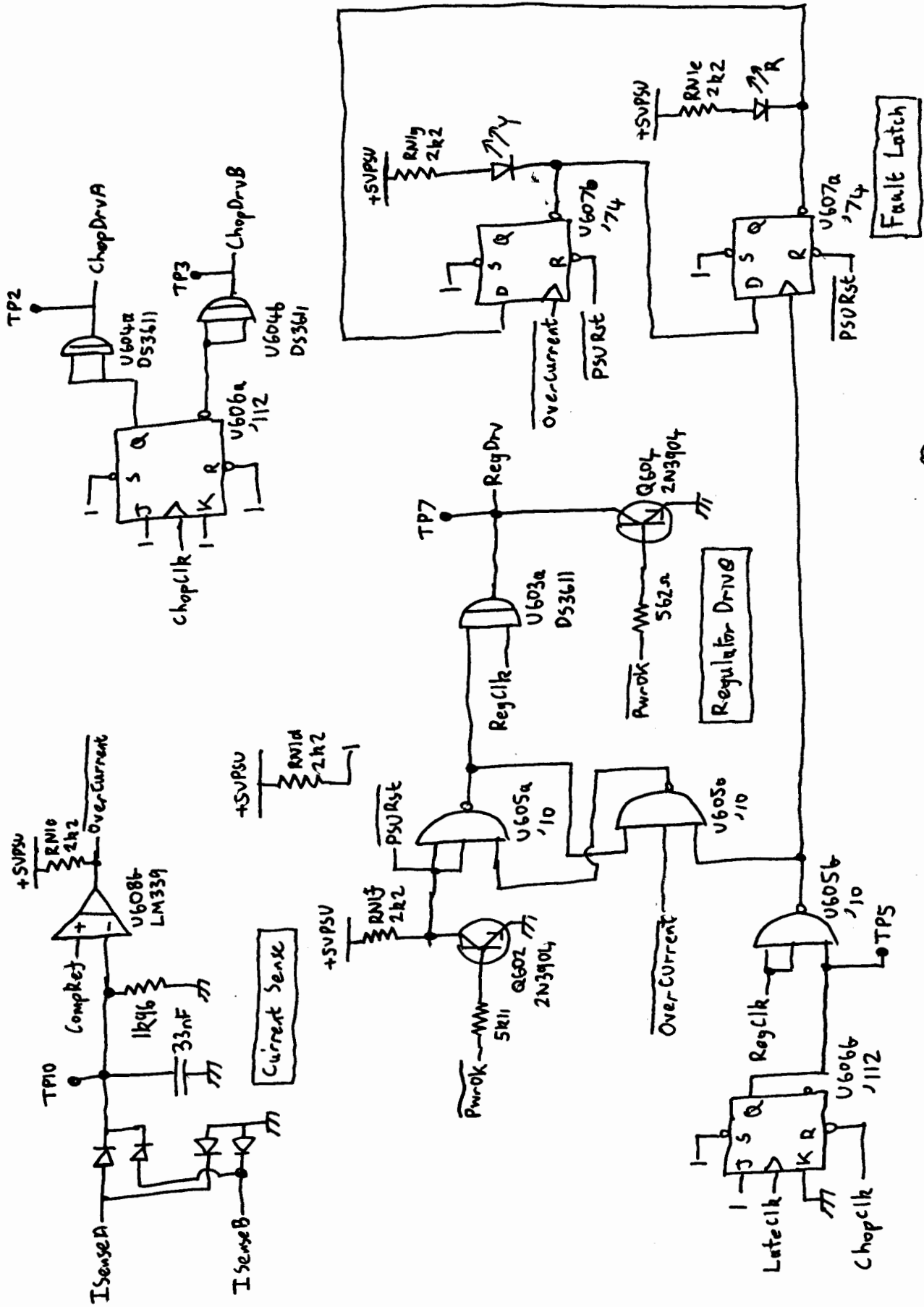


Output Connectors

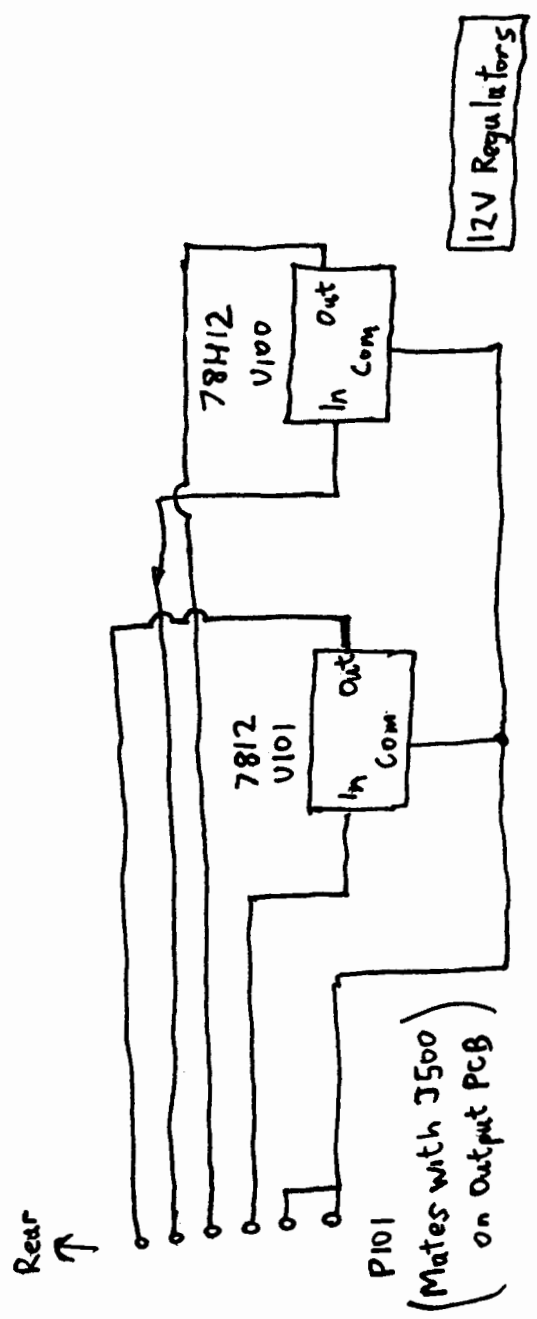
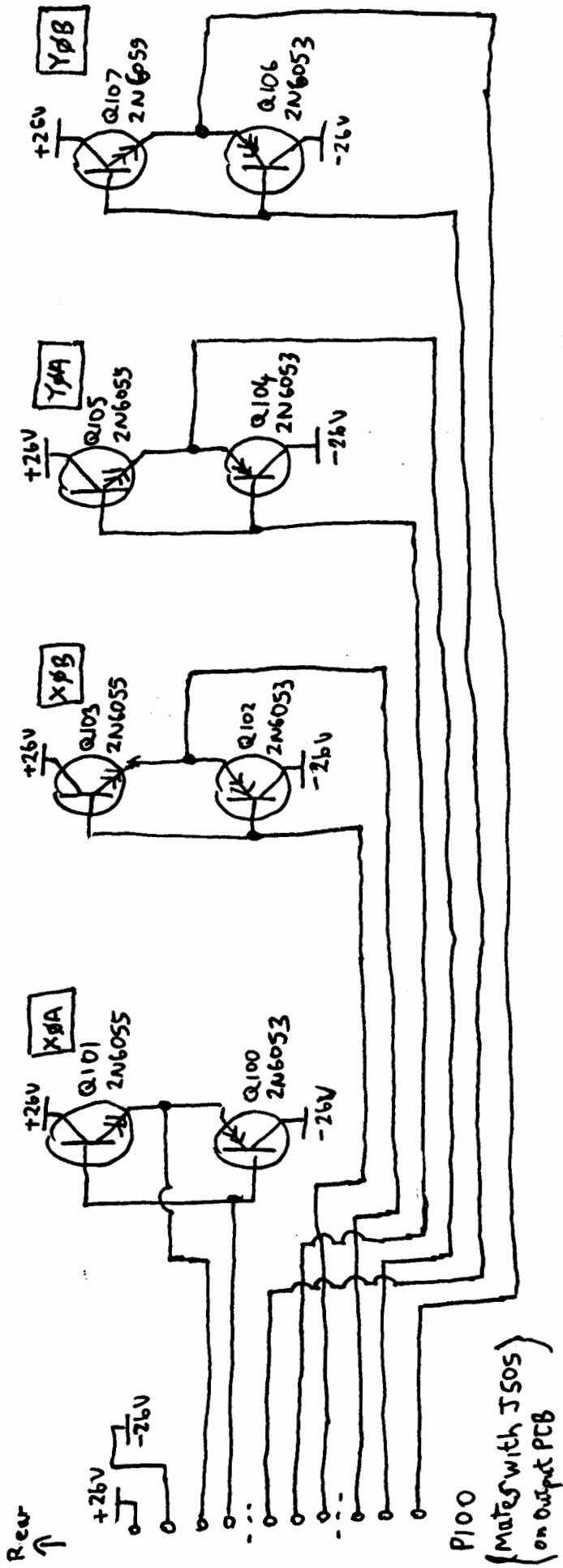




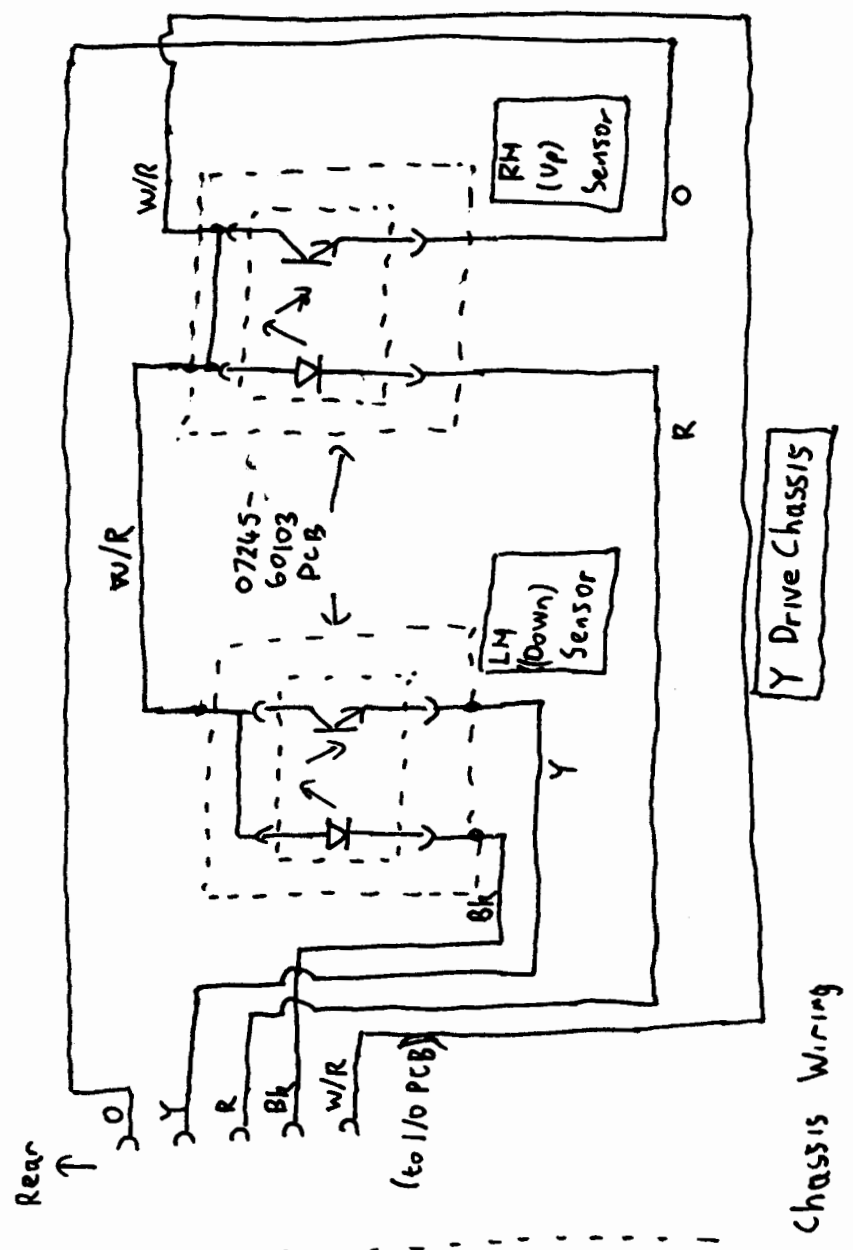
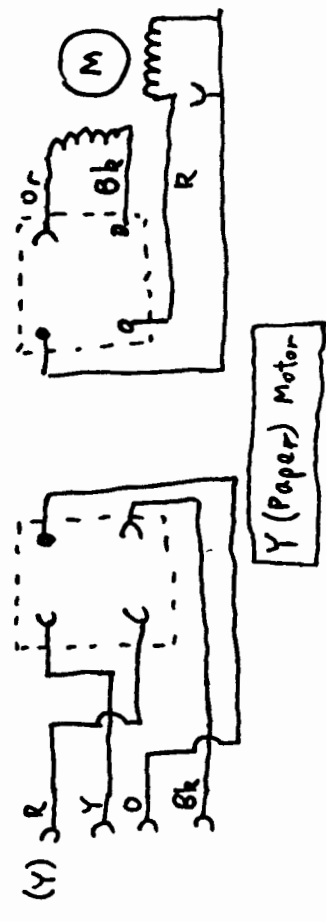
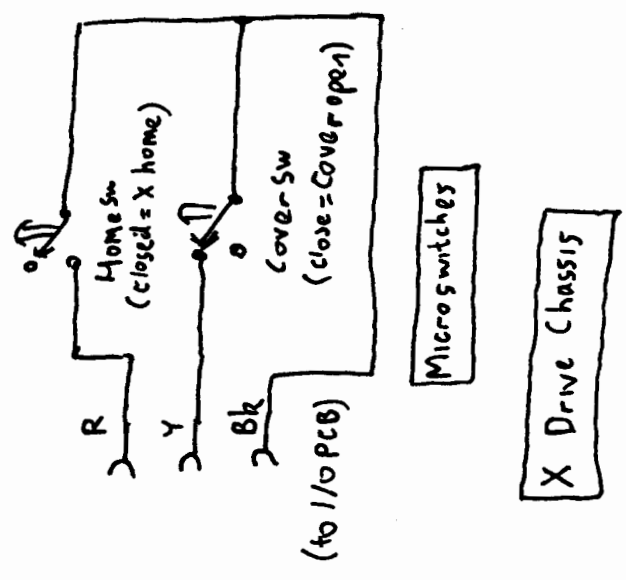
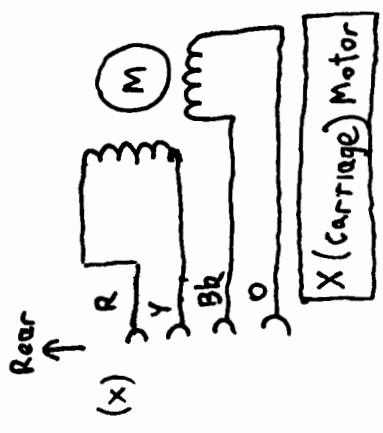
HP7245A PSu control PCB Sheet ② 07245-6010



HP7245A PSU Control PCB sheet ③ 07245-60110

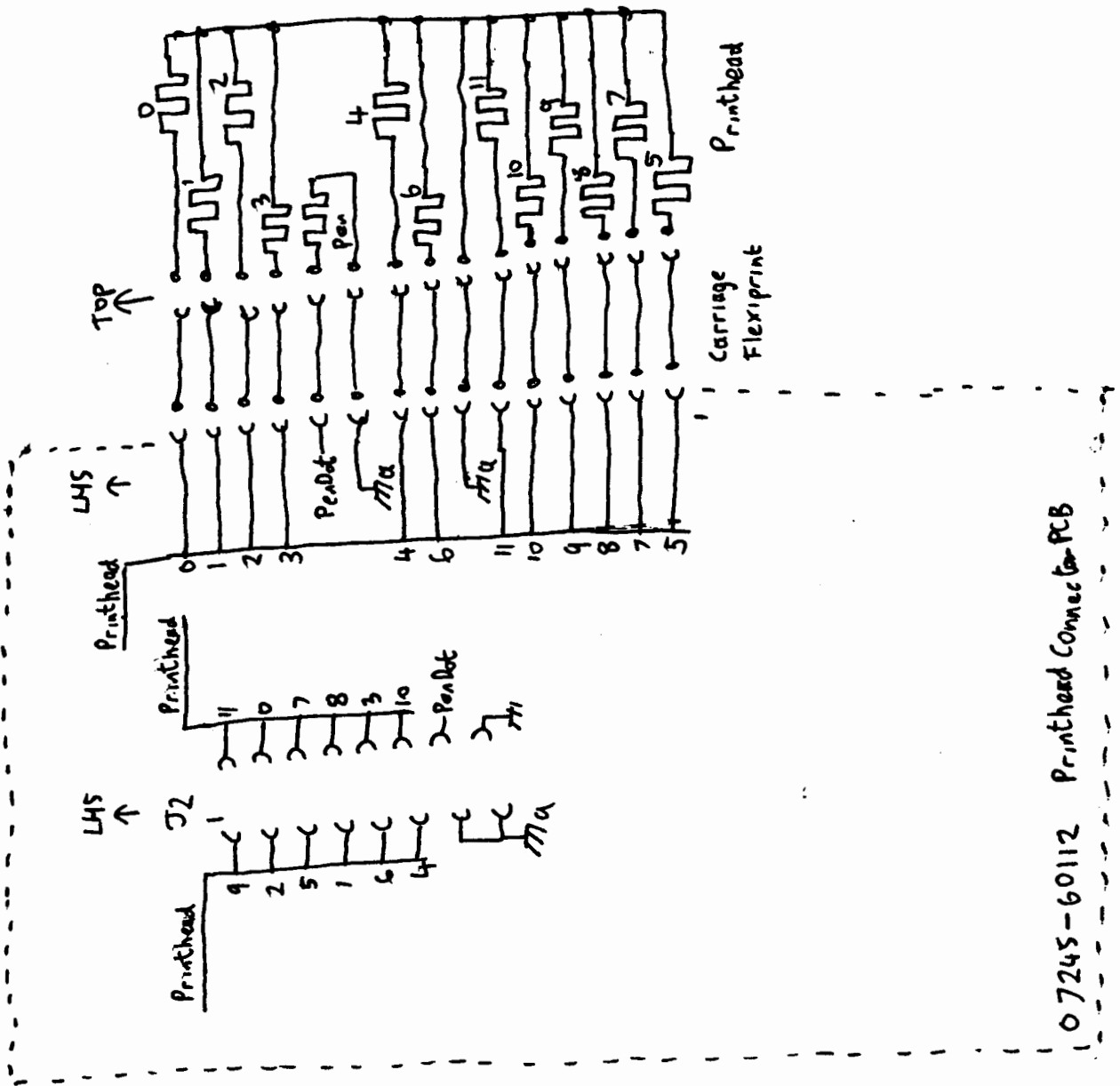


HP 7245A Motor Driver PCB 07245-60109



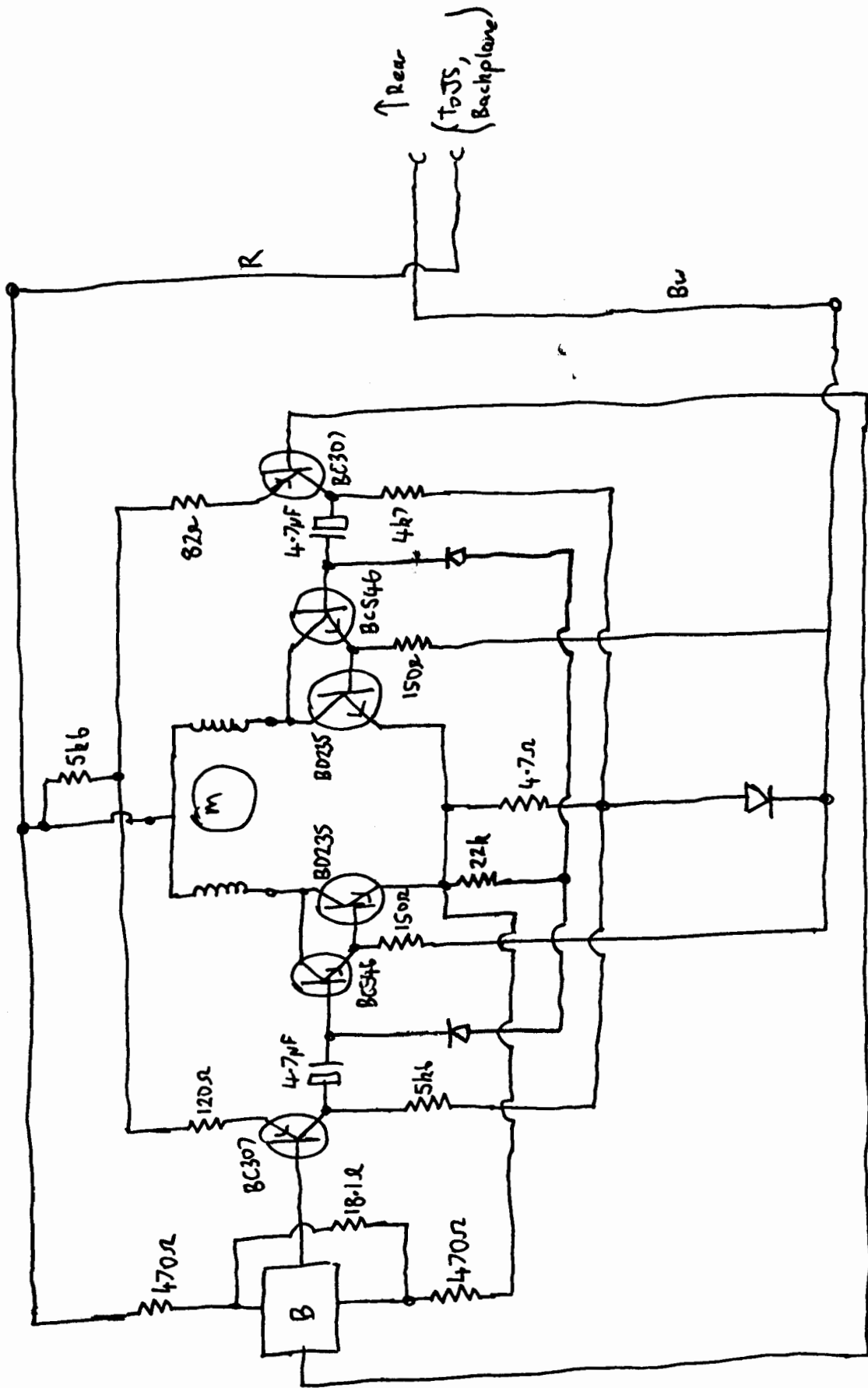
HP7245A Chassis Wiring





07245-60112 Printhead Connector PCB

HP 7245 A Printhead Wiring



HP 7245A Fan Motor Papst 6027-014-0 PCB