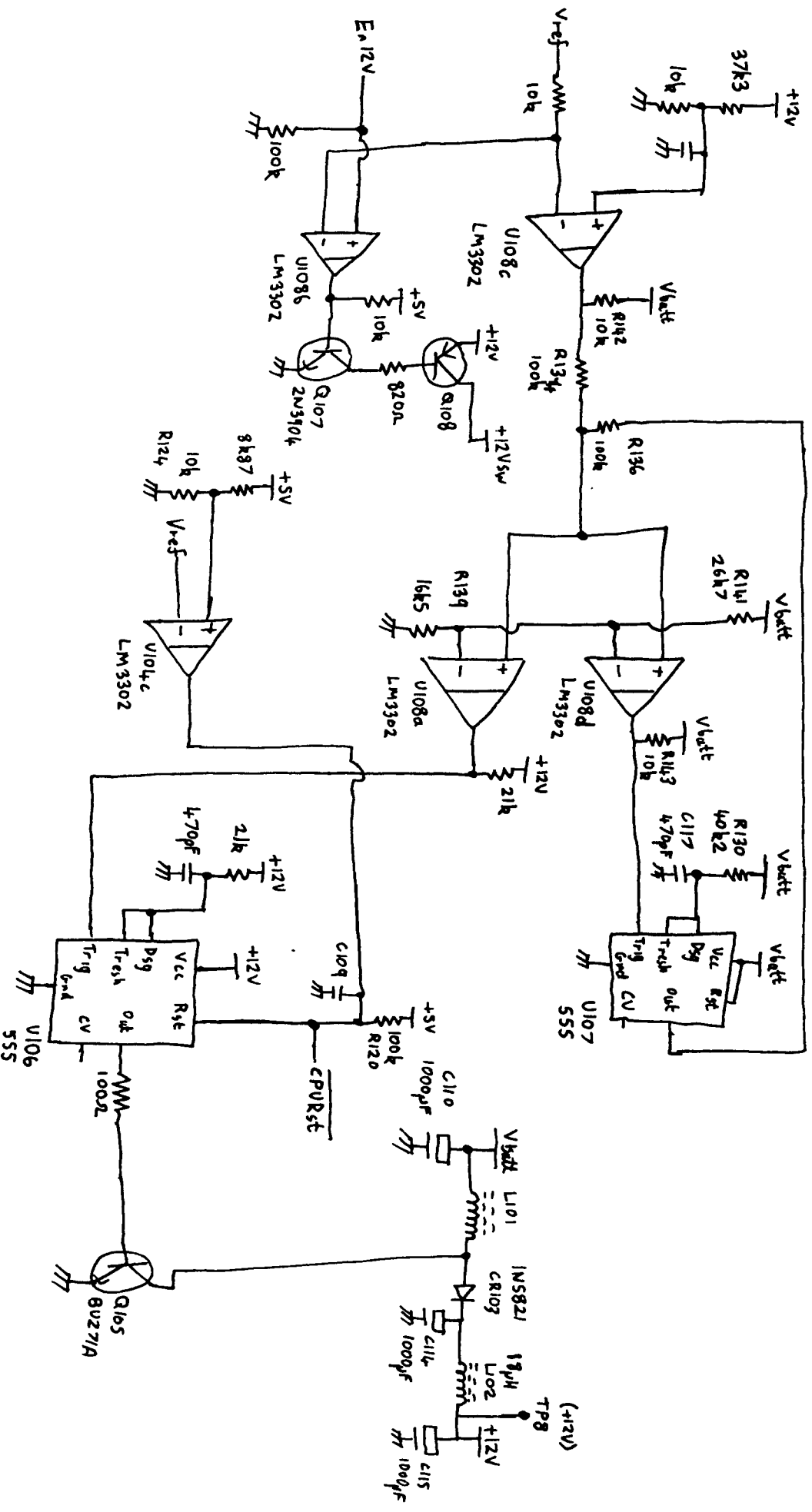
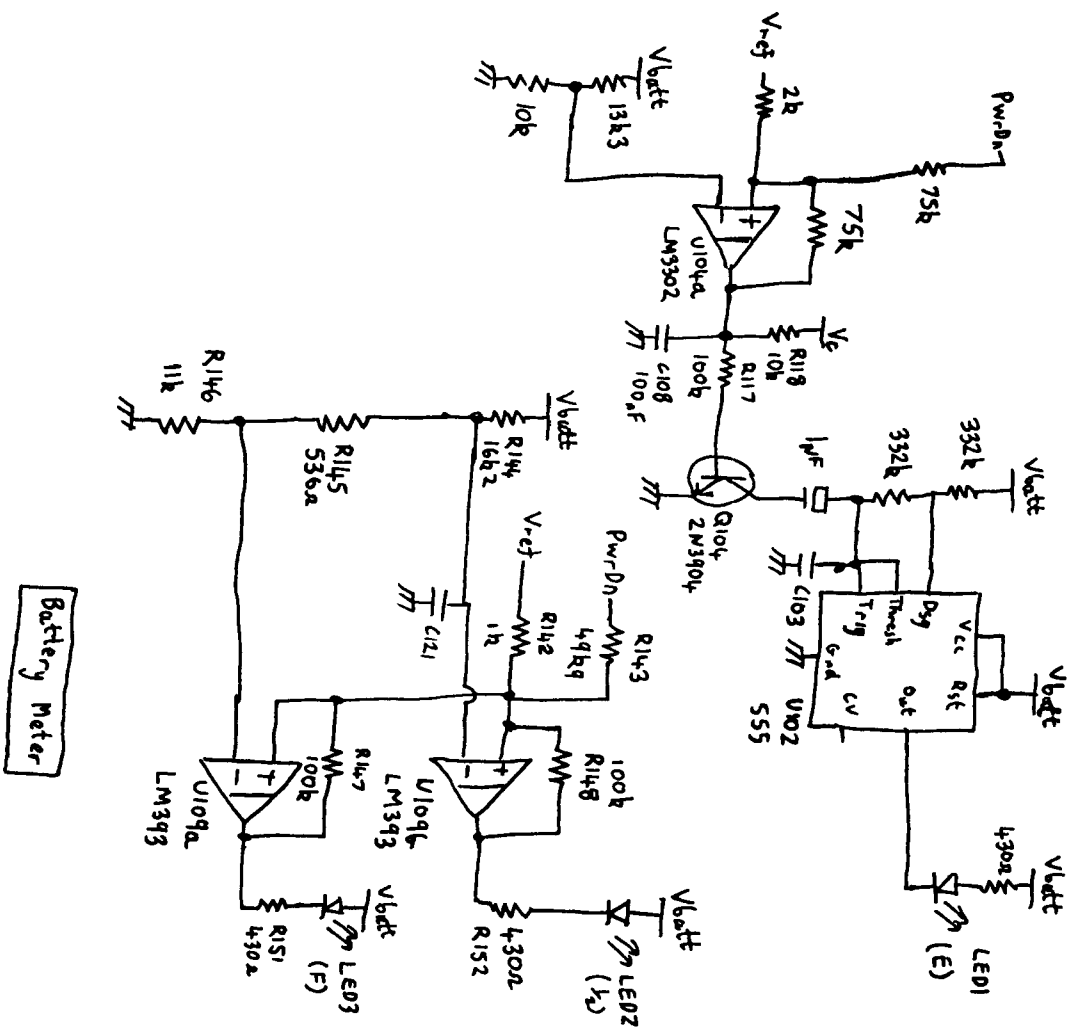


911148 Controller PCB sheet 1

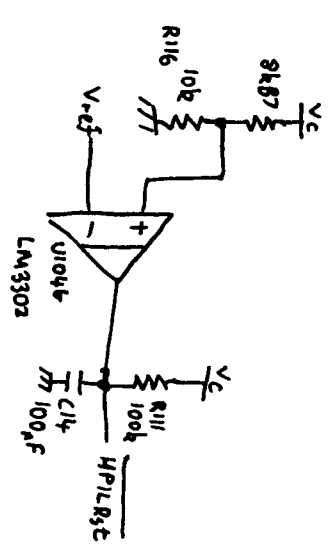


12V PSU

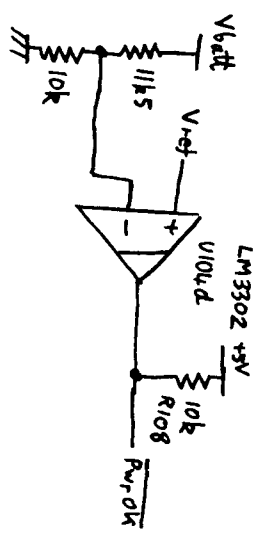
9114B Controller Sheet 2

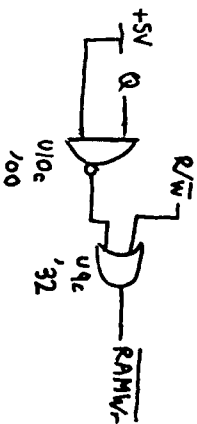
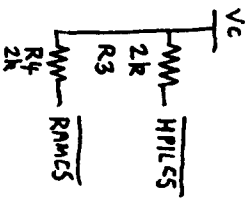
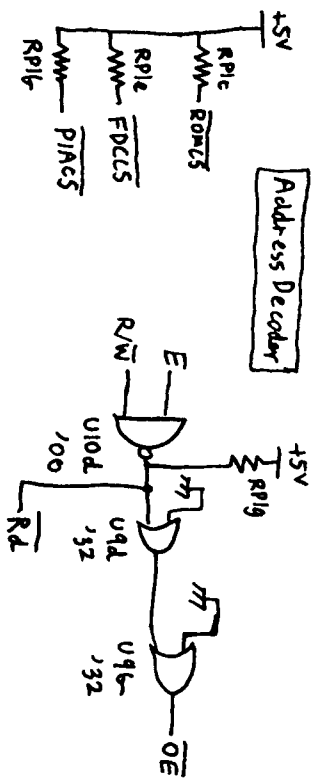
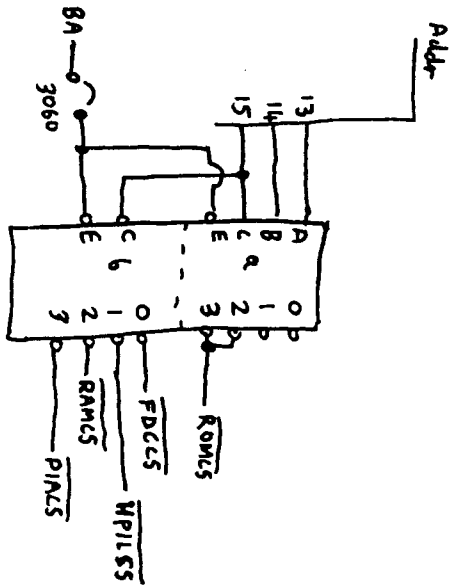
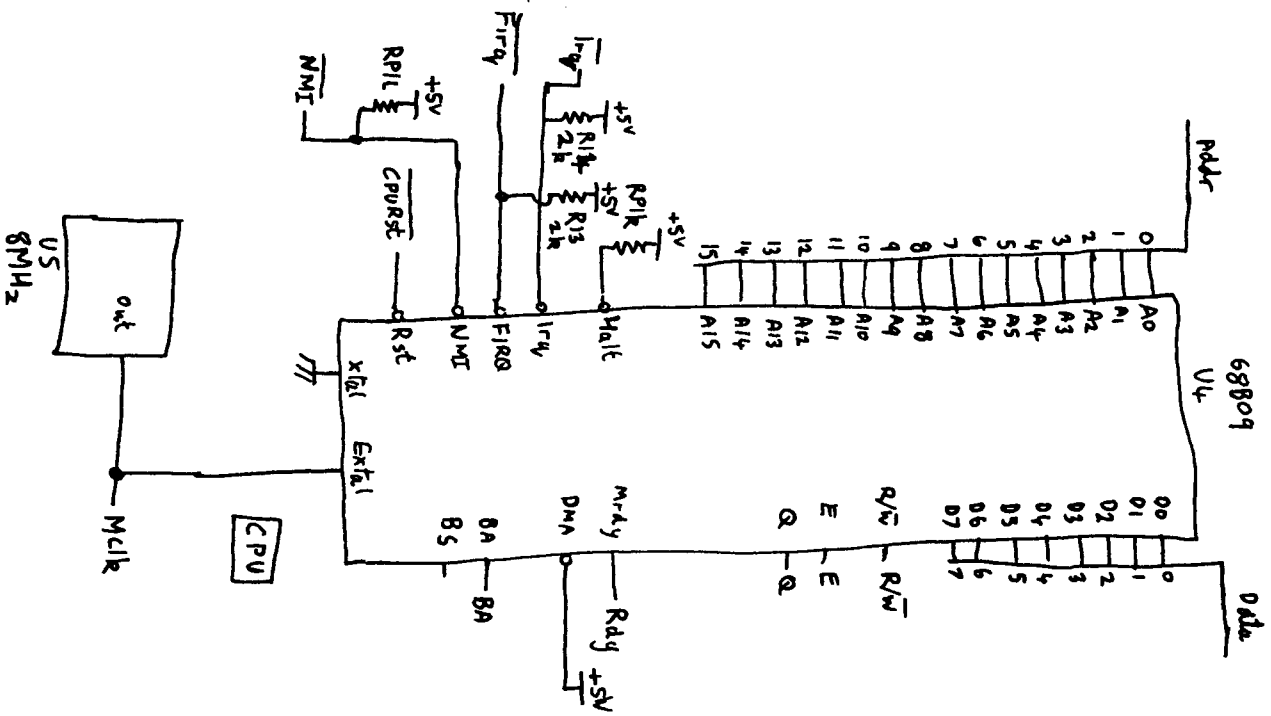


Battery Meter

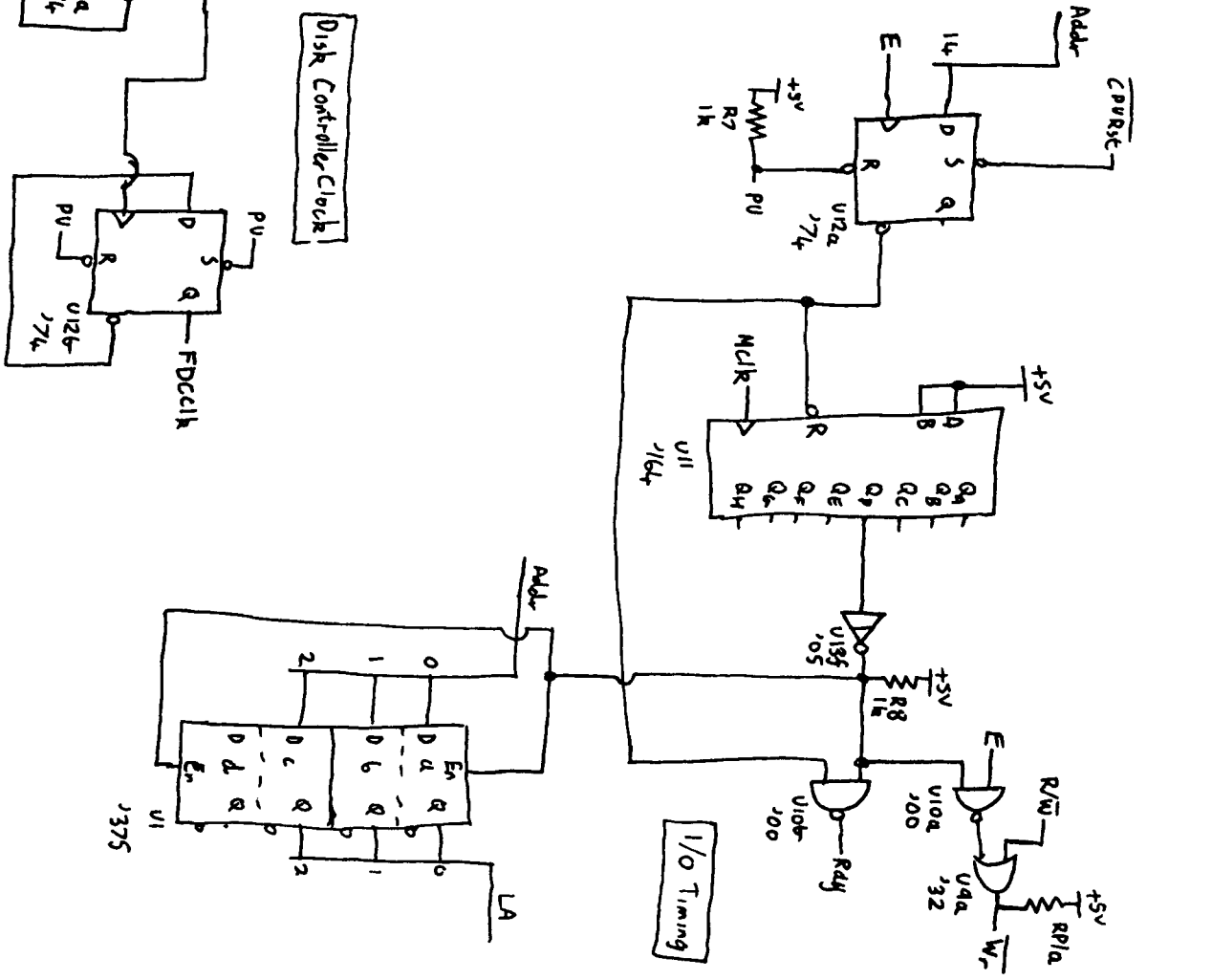
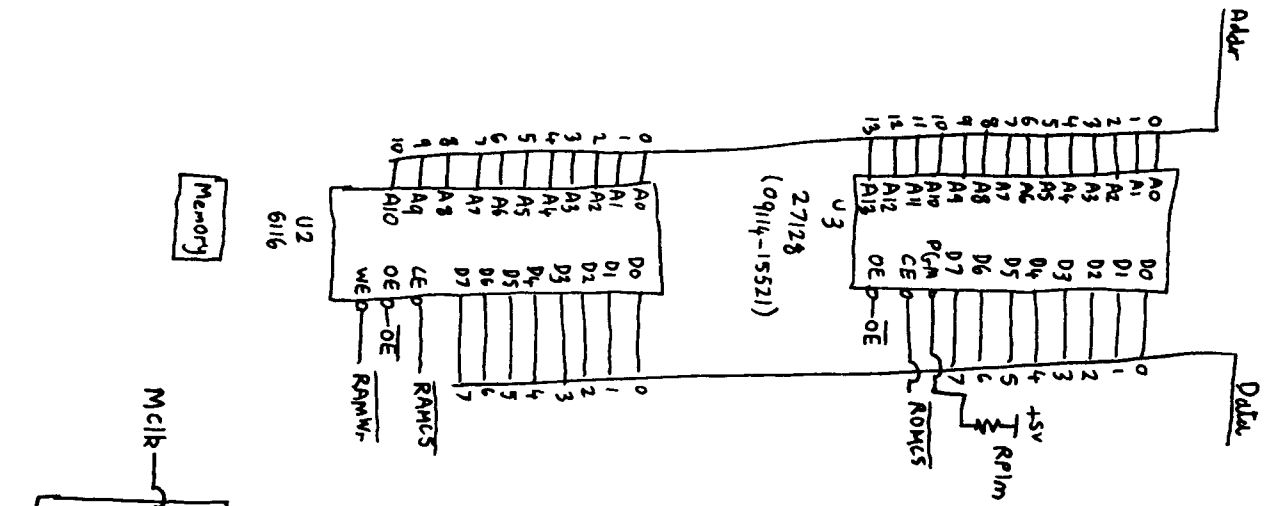


Reset

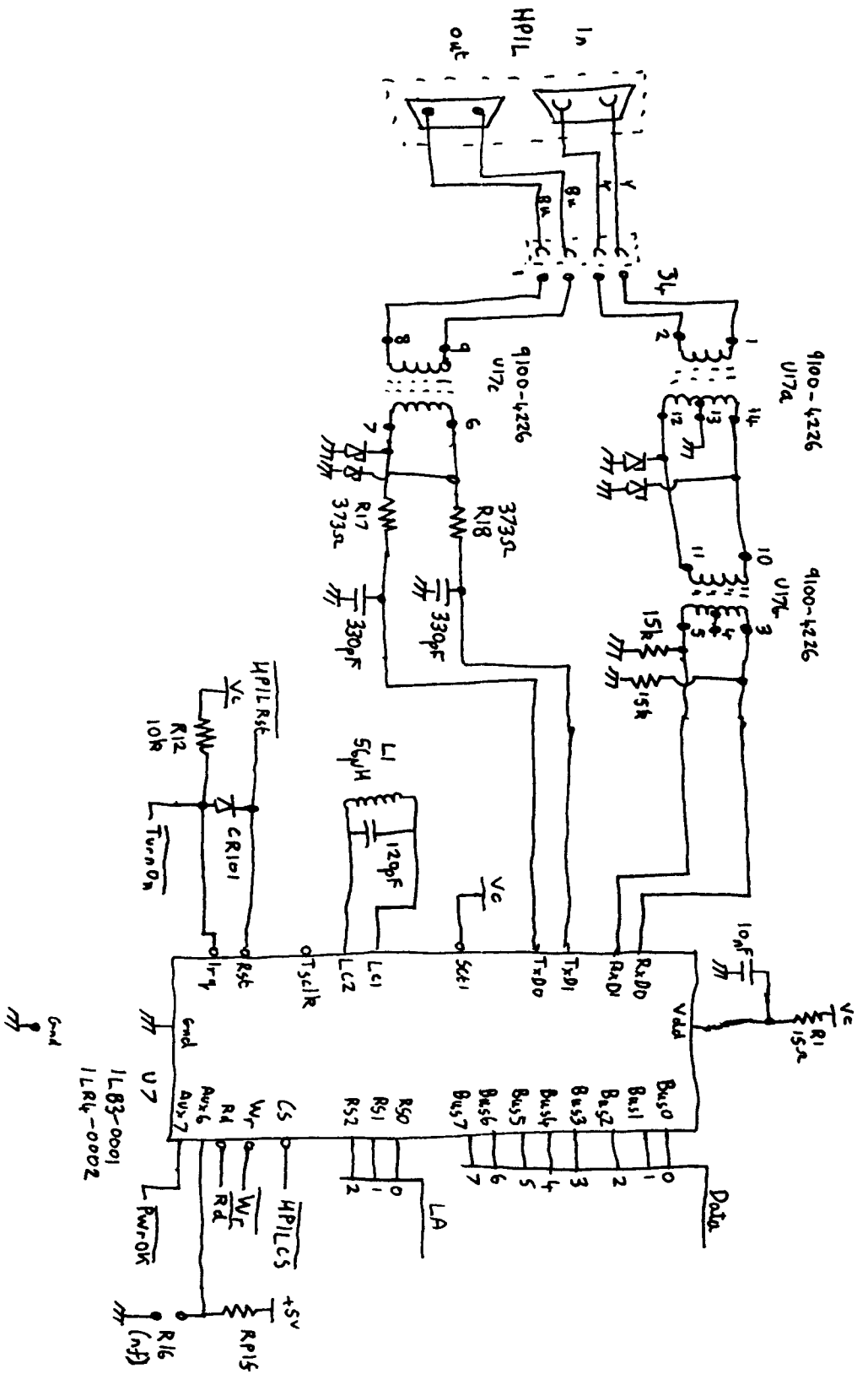




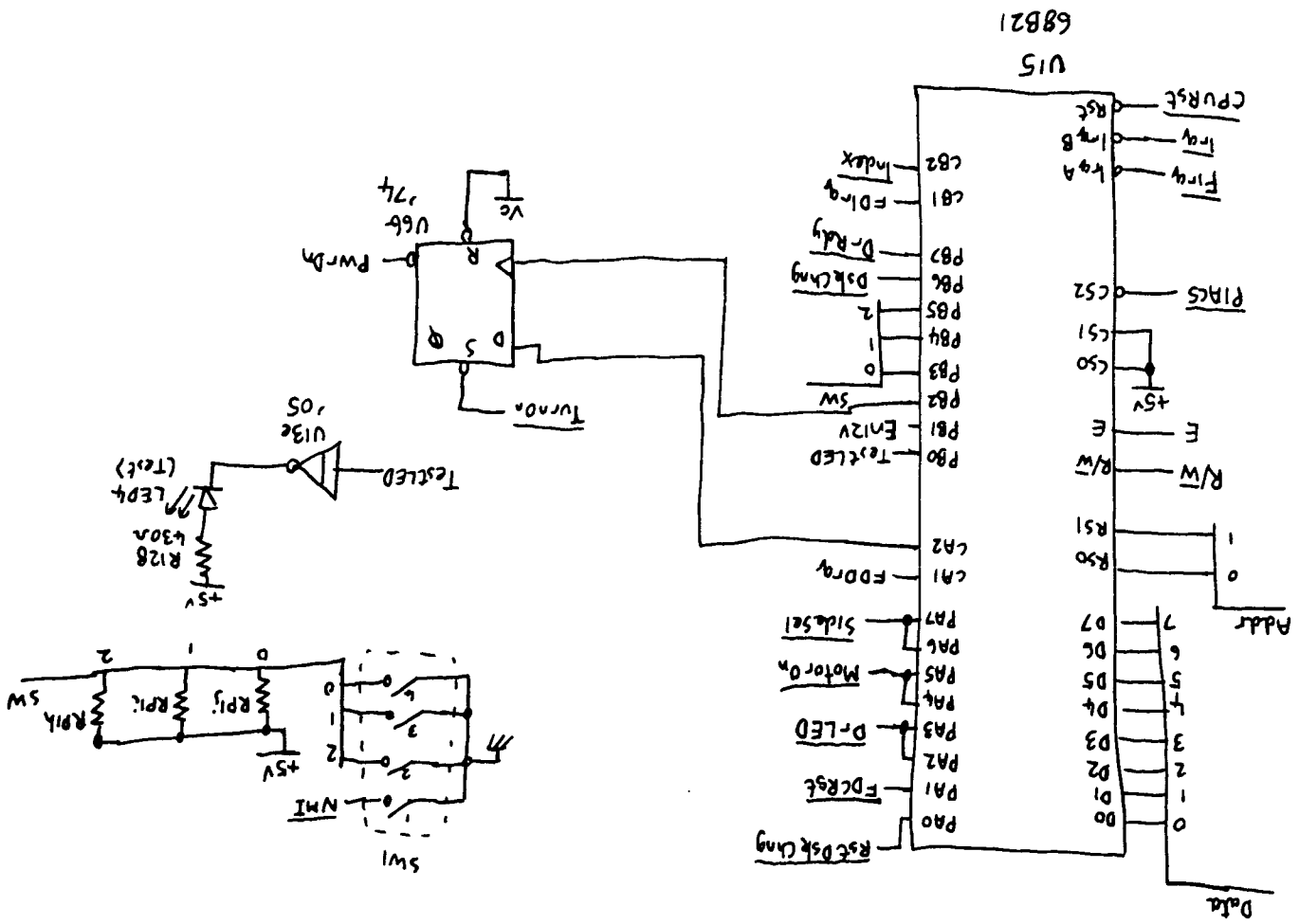
9114 B Controller Sheet ④

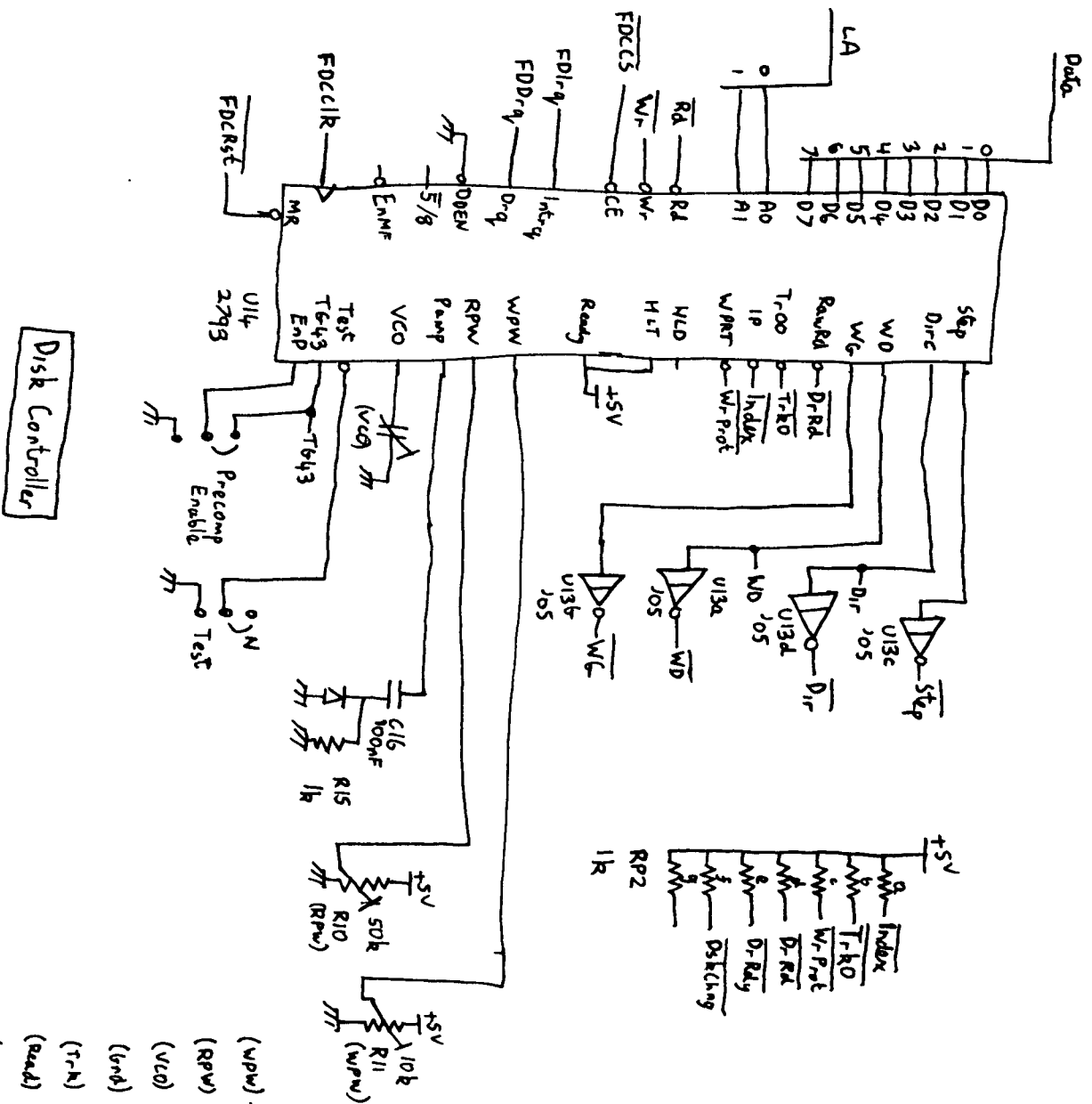


9114 B Controller Sheet 5



HPIL Interface

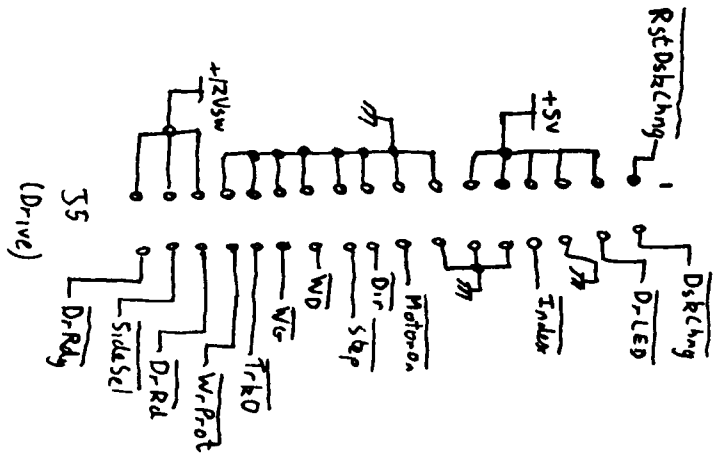




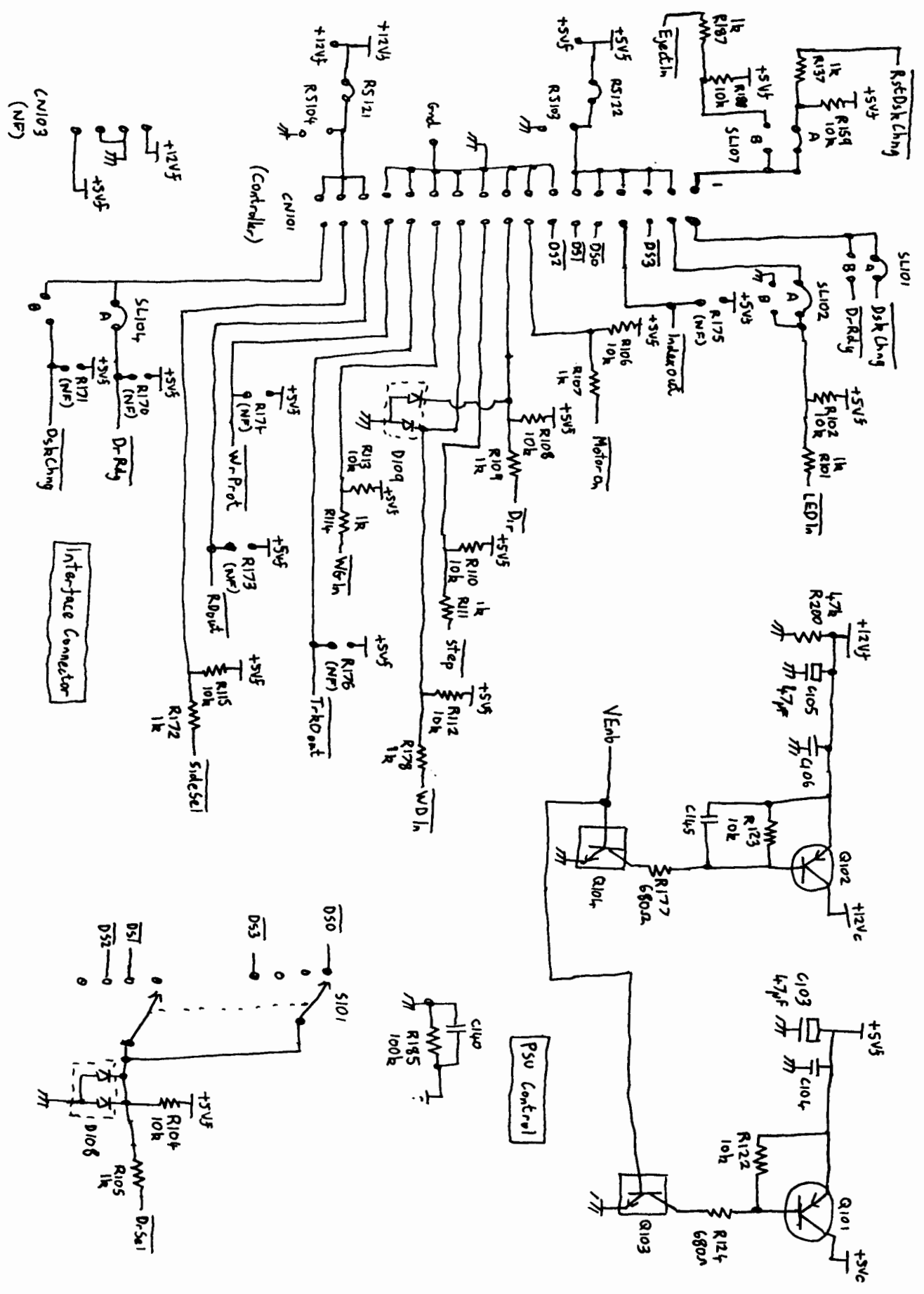
Disk Controller

9114B Controller Sheet 8

- (WPW) TP1 0-WD
- (RPW) TP2 0-T643
- (VCO) TP3 0-Dir
- (Ind) TP4
- (Trk) TP5 0-Trk0
- (Read) TP6 0-D-Rd
- (Ind) TP7 0-Index

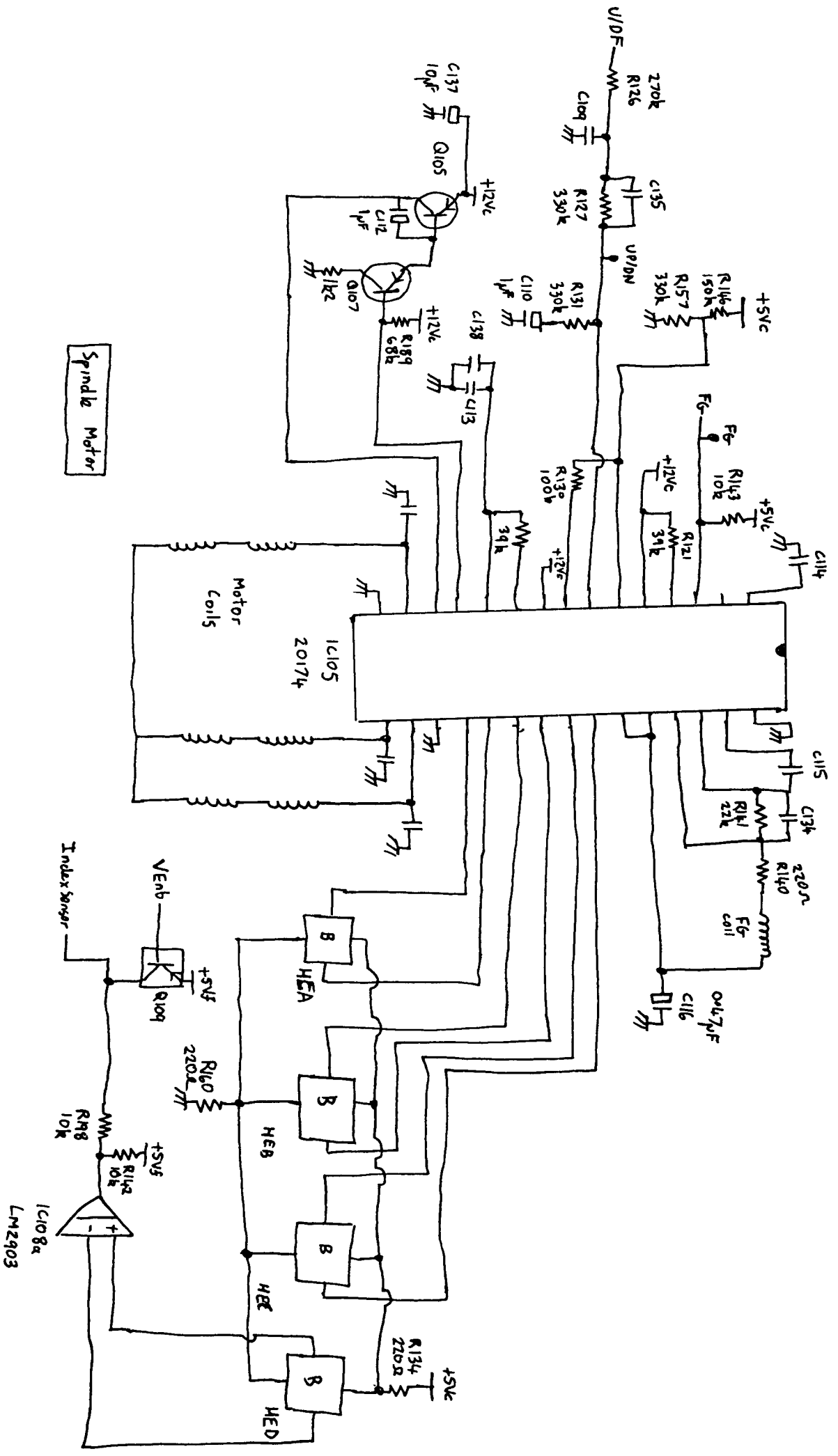




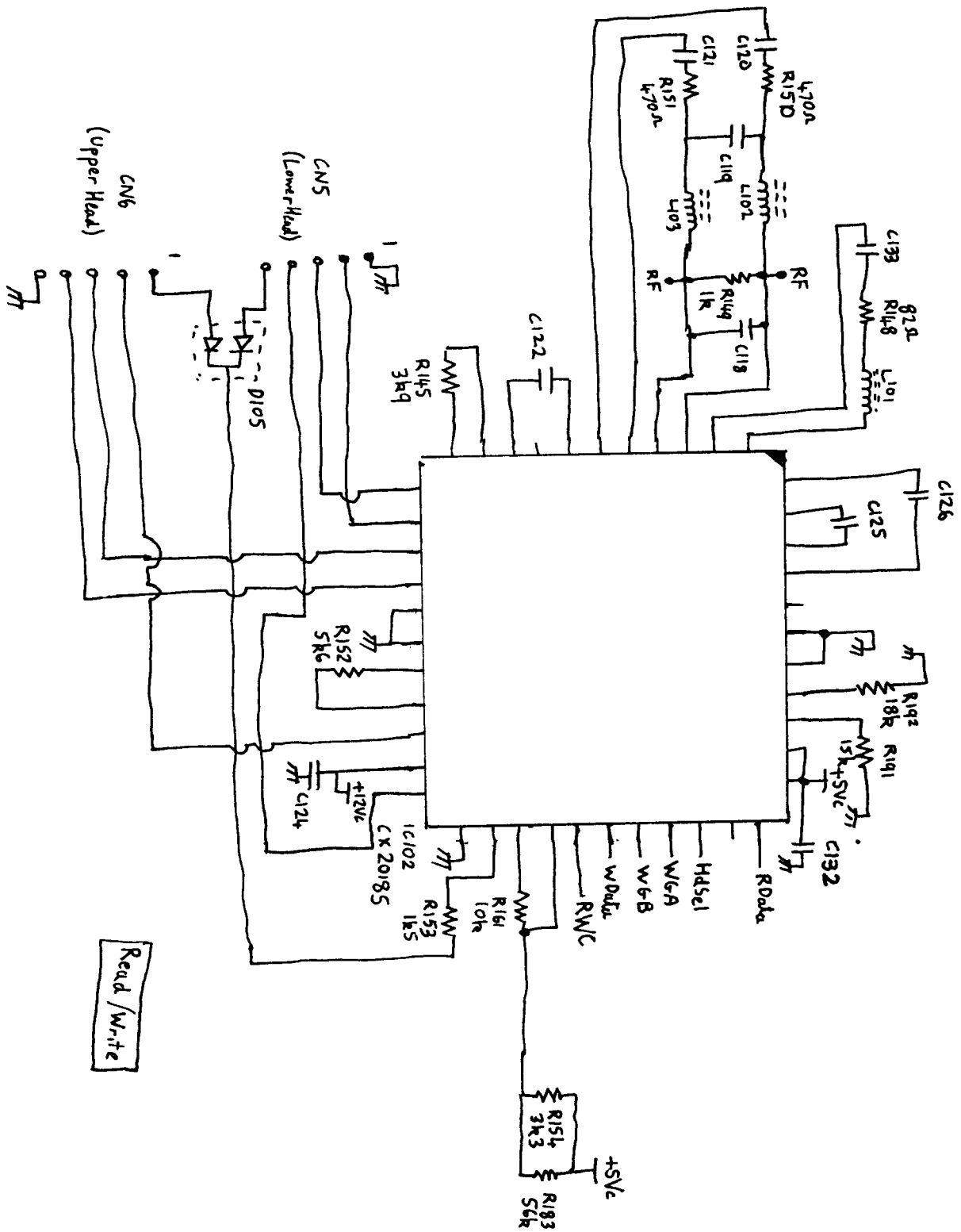


MP-F52W-50 Disk Drive Sheet 1 (FC26 PCB)



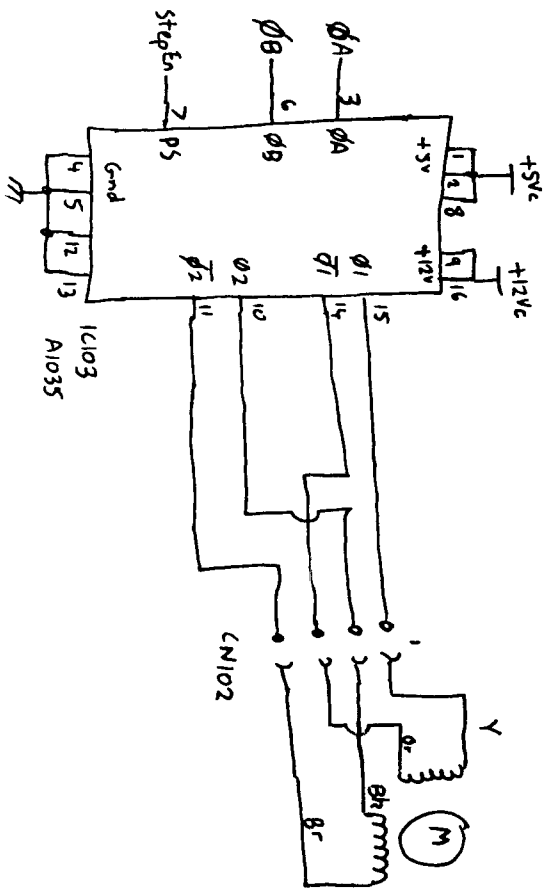


MP-F52W-50 Disk Drive Sheet ③ (FC26 PCB)

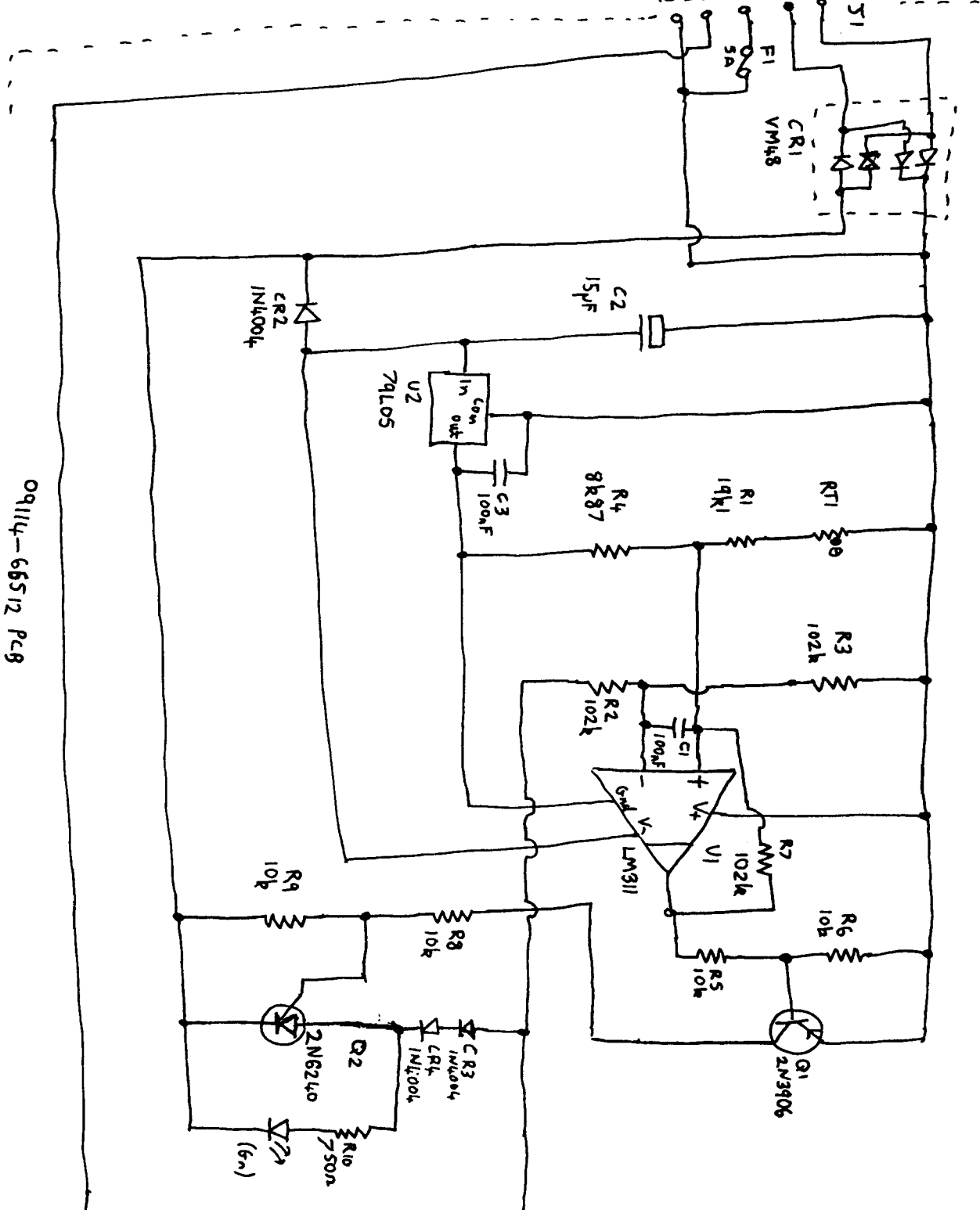
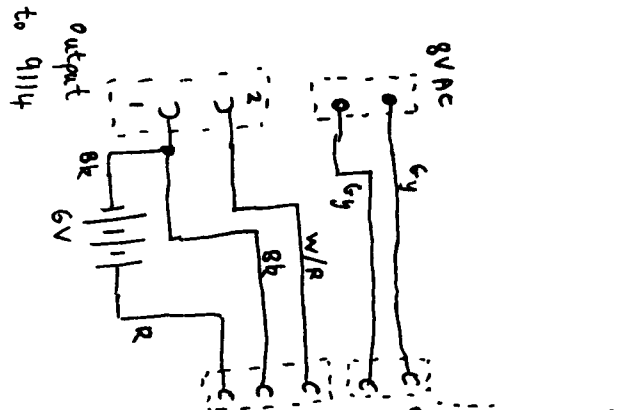


MP-F52W-50 Disk Drive Sheet 4 (FC26 PCB)

Read/Write



Head Stepper



091114-66512 Pcb

88014B Battery Pack