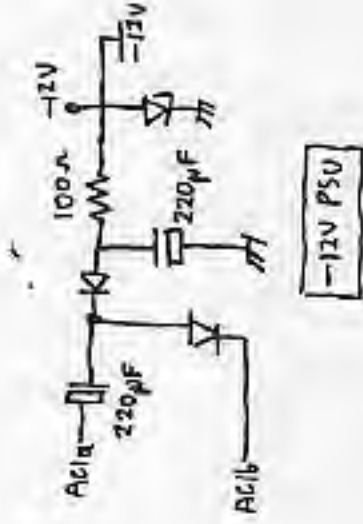
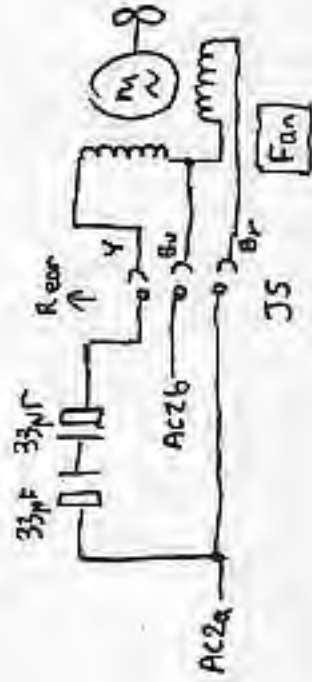
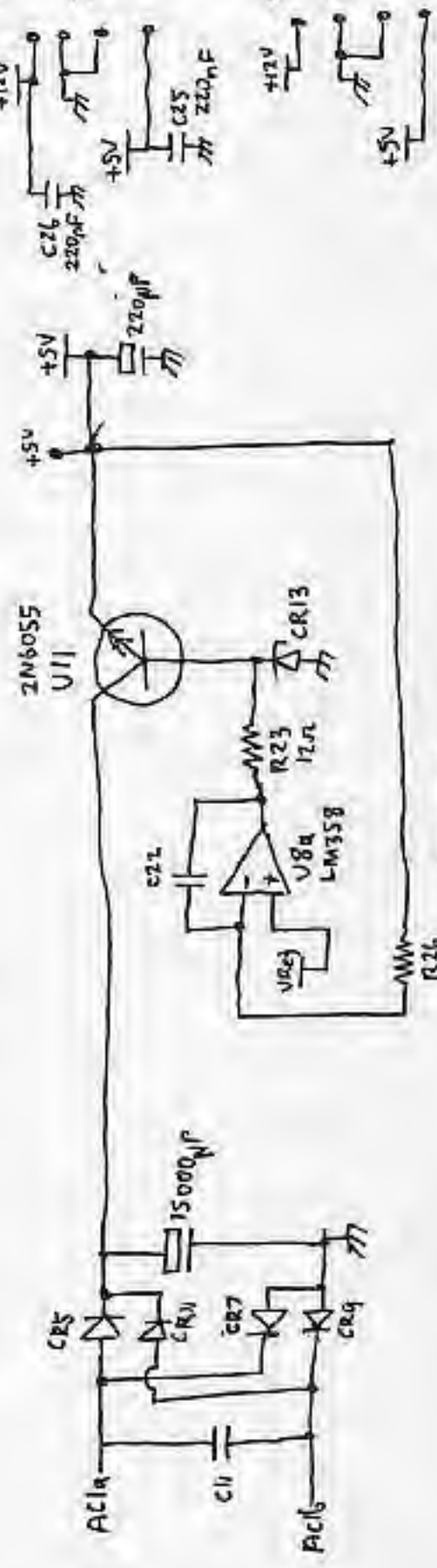
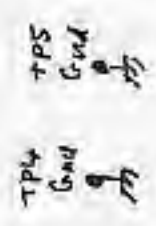
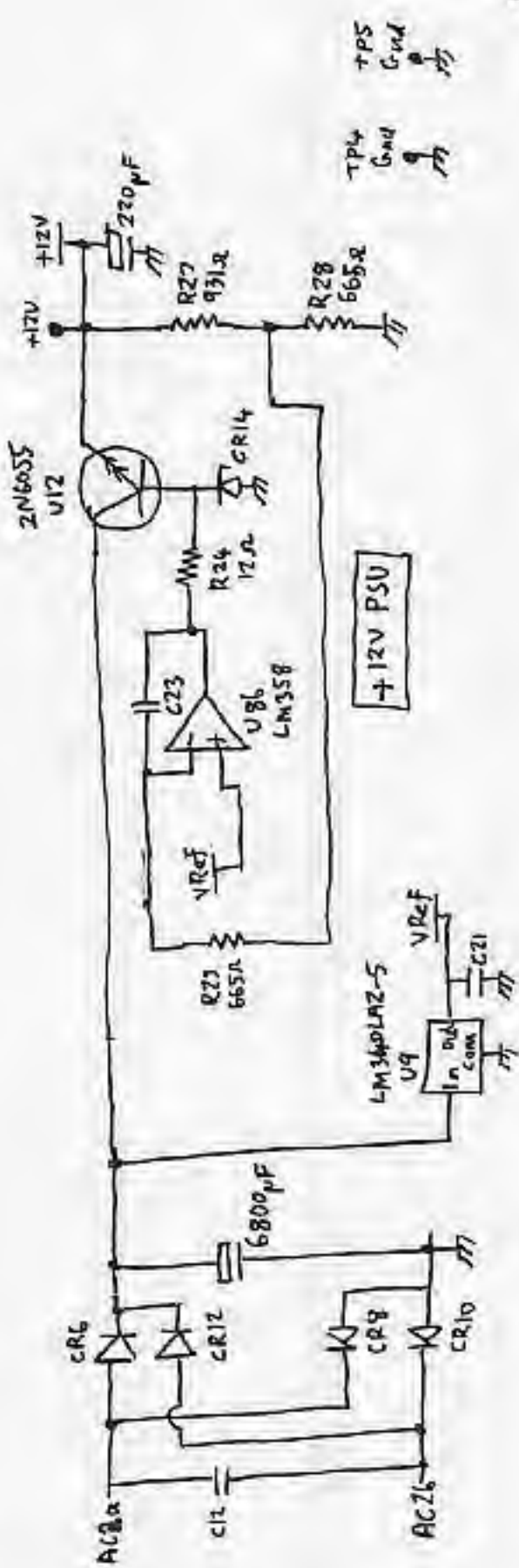
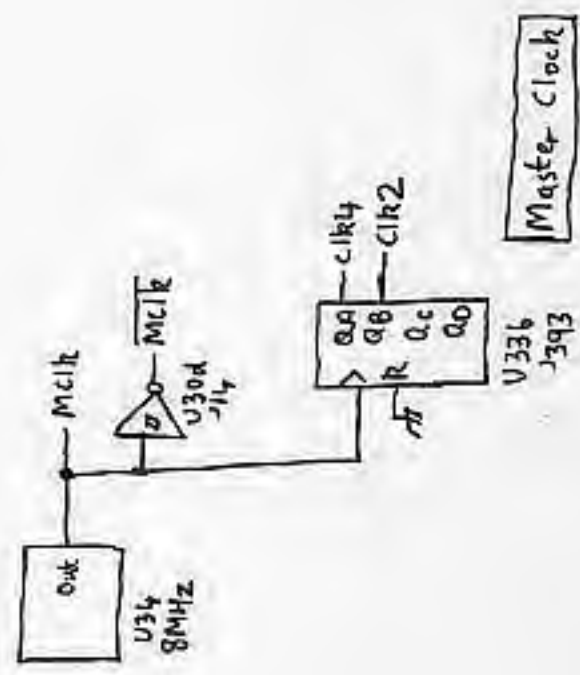
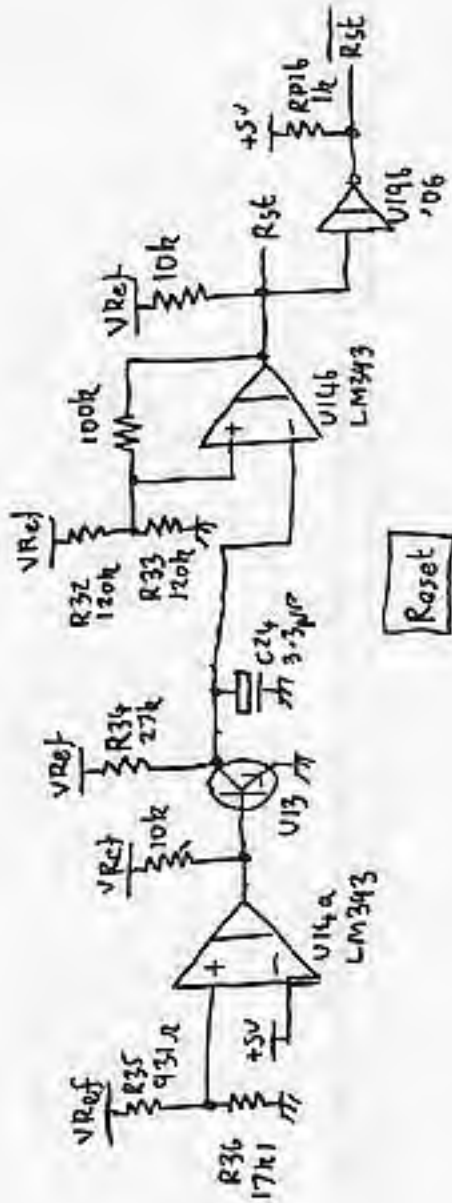


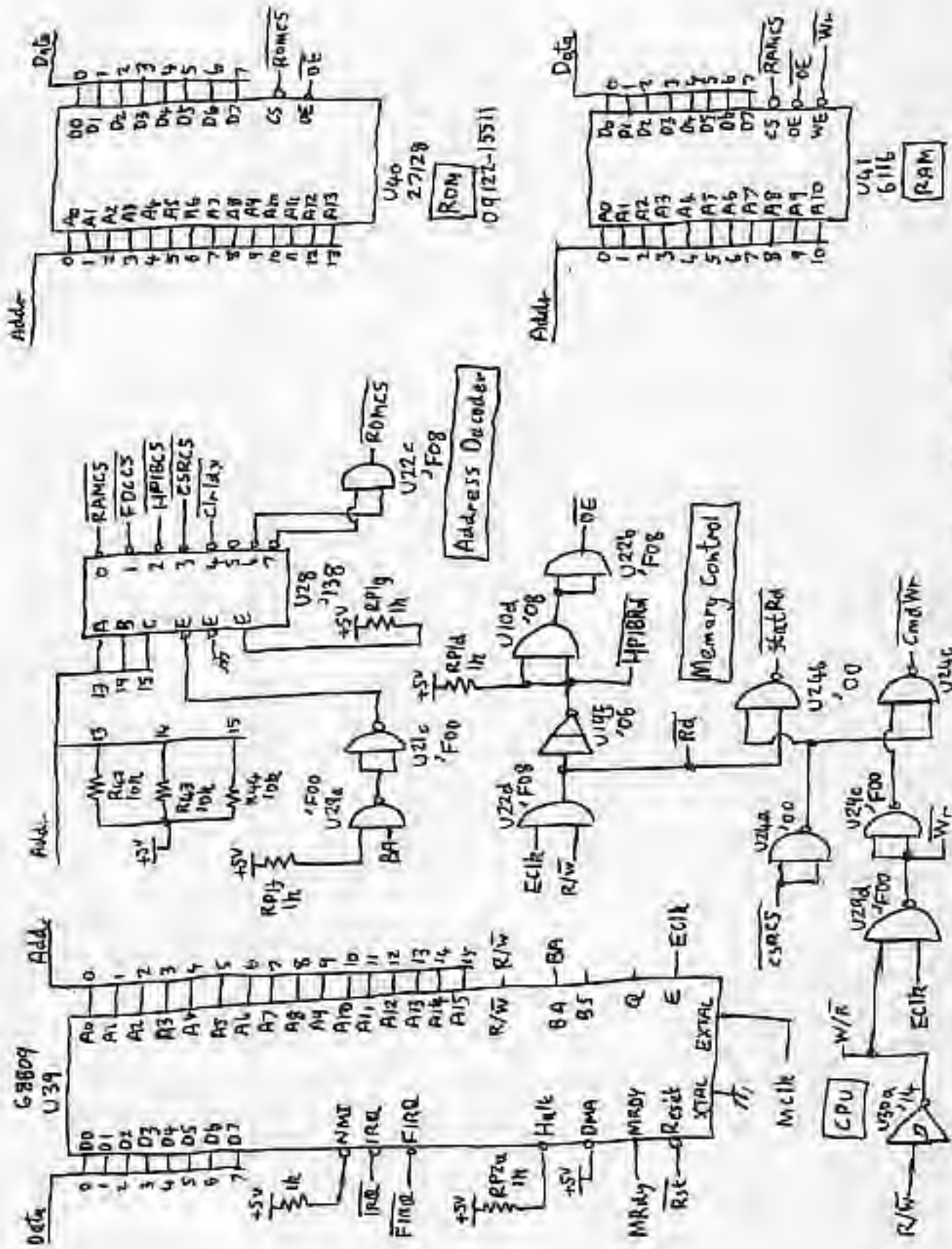
Mains Input

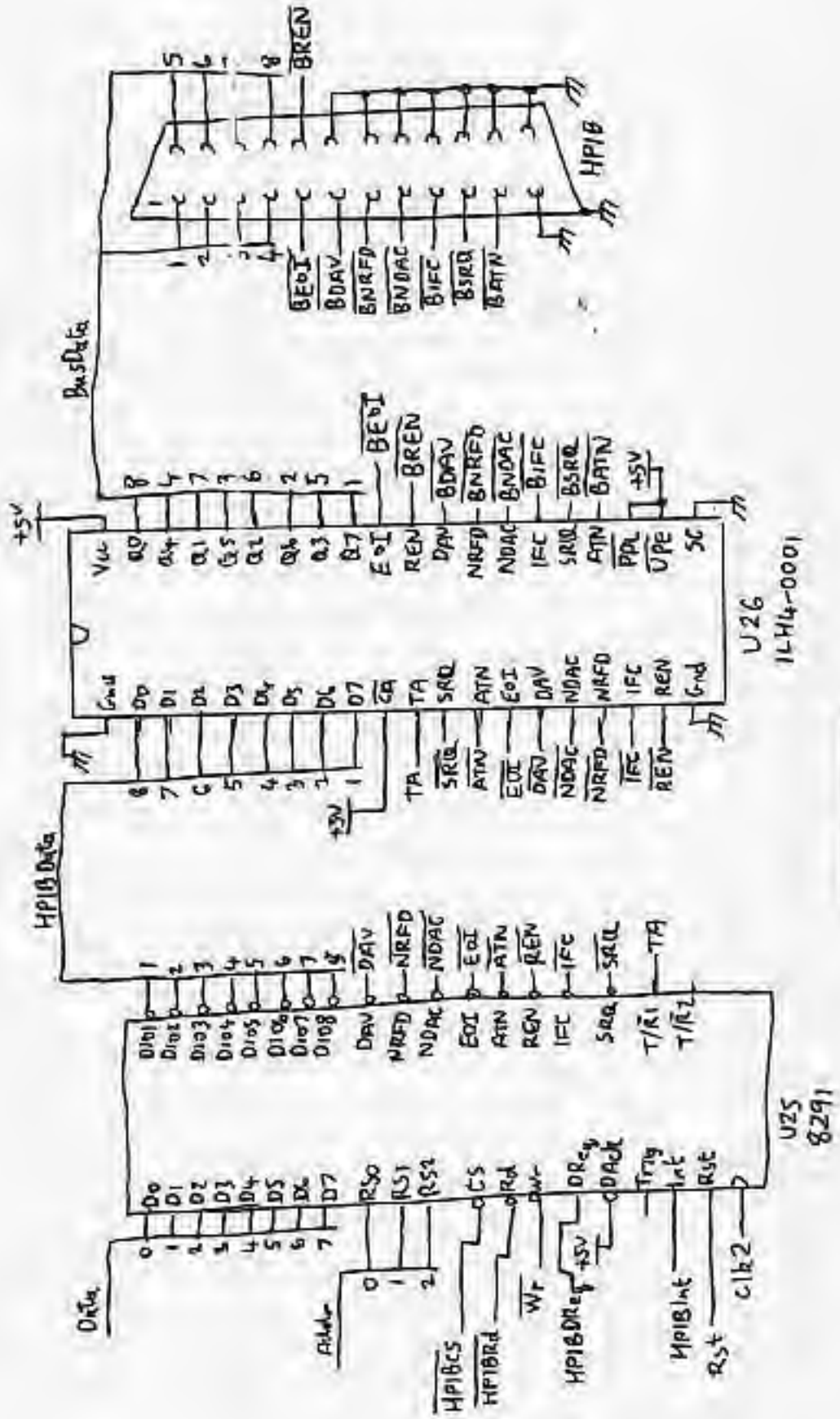




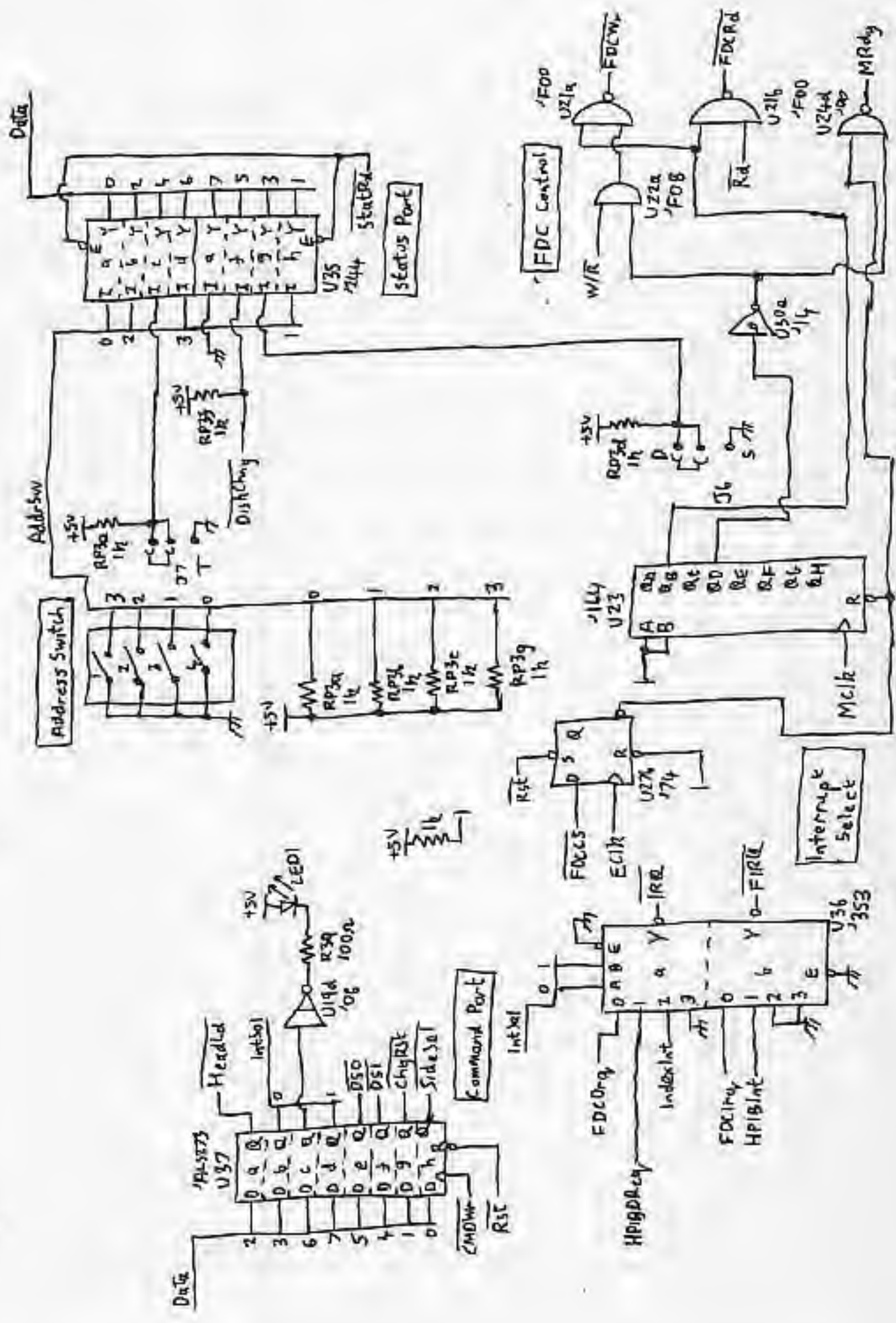
Drive Power connector



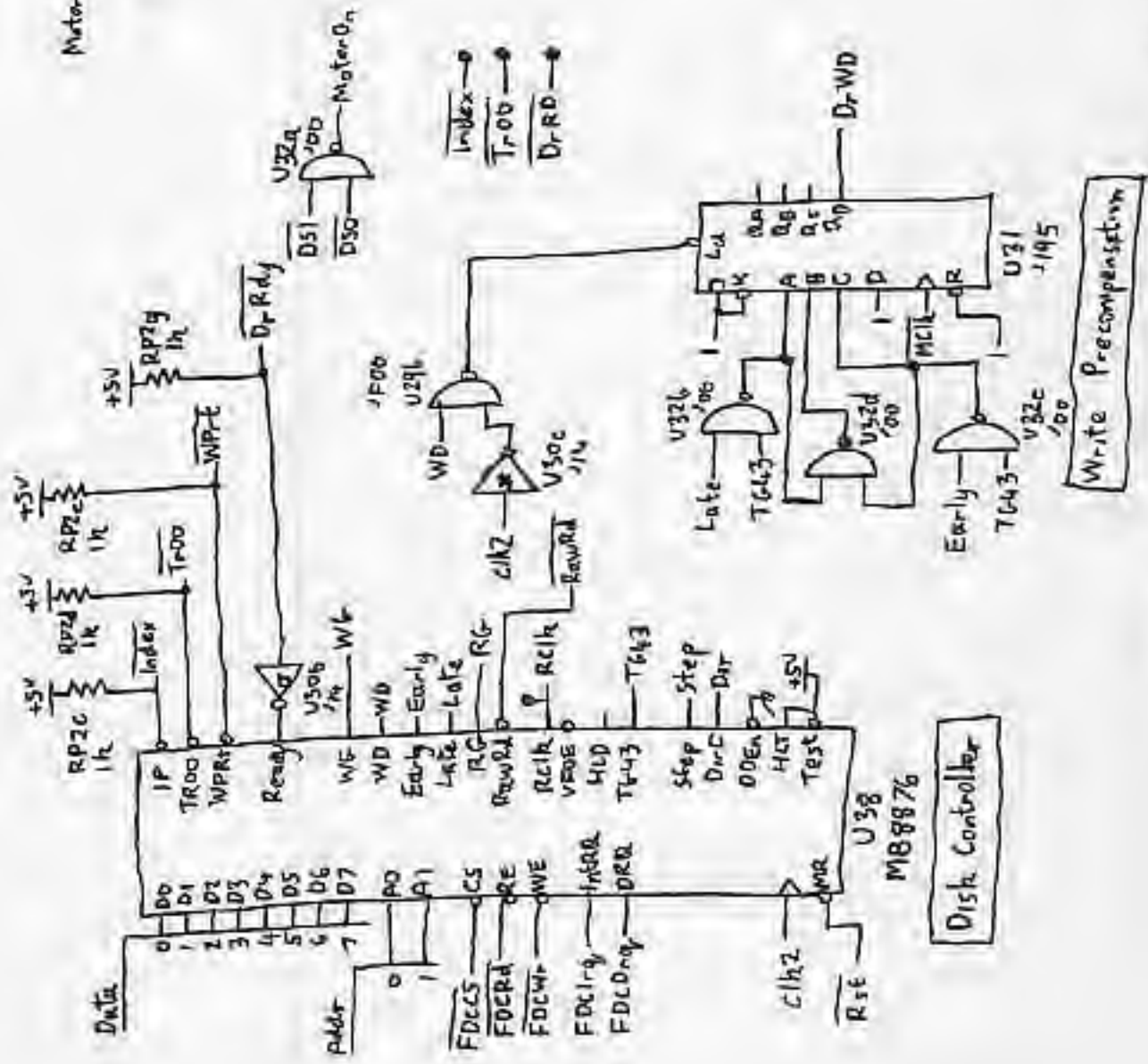
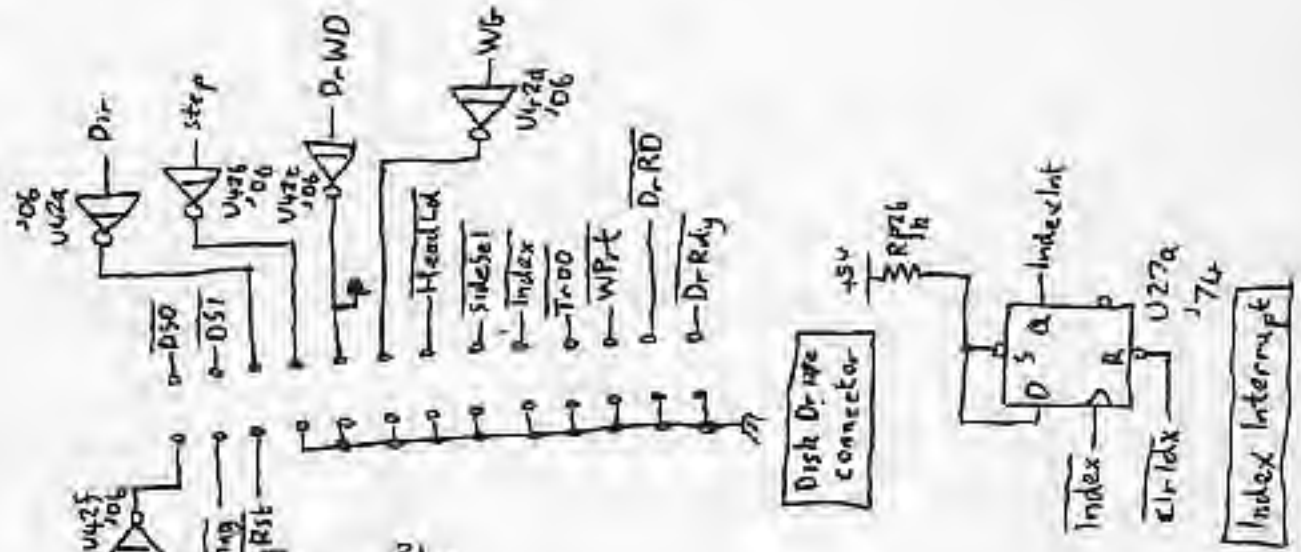


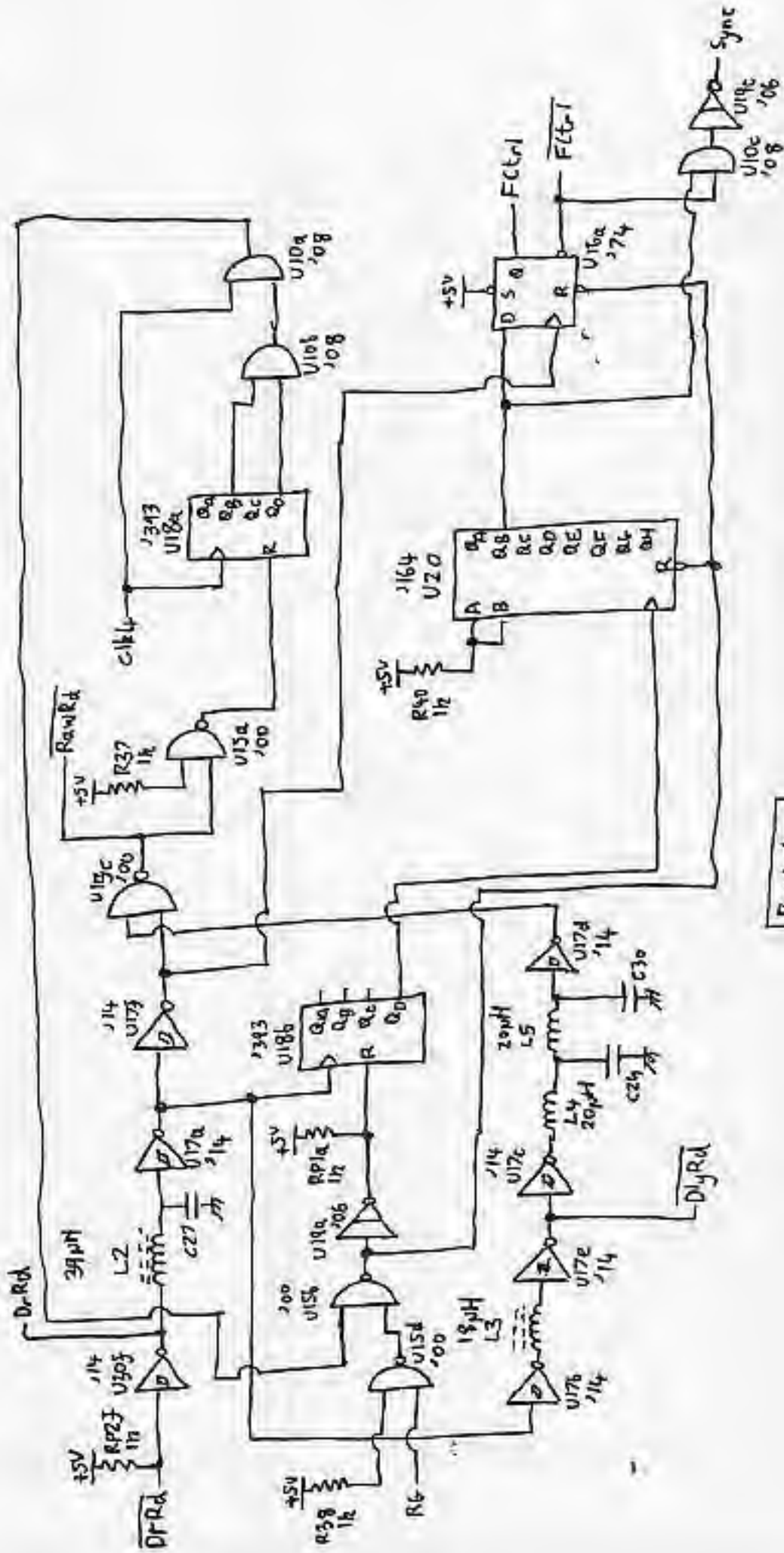


HPiB Interface

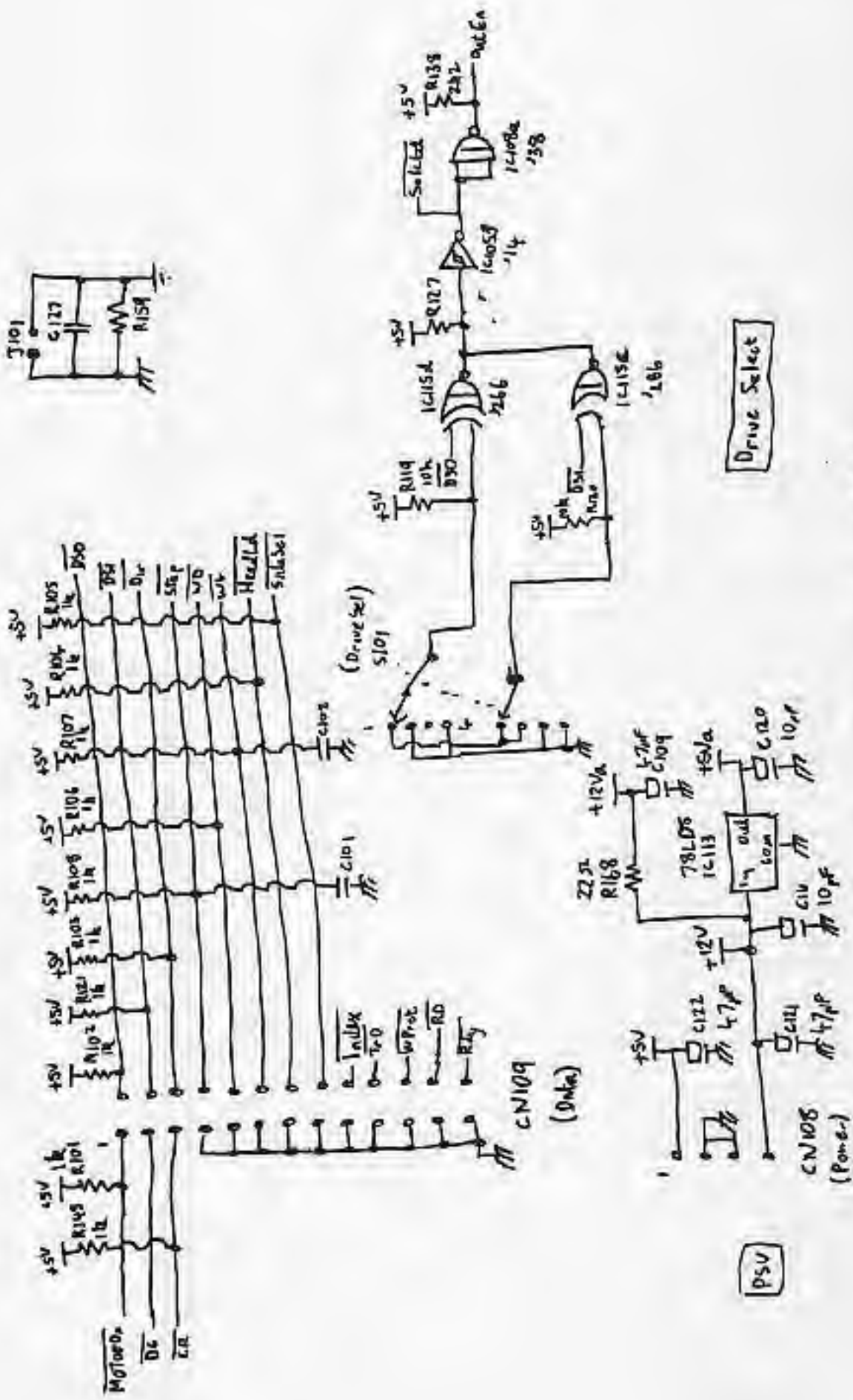


HPQ122 Controller PCB Sheet (6) 09122-66501

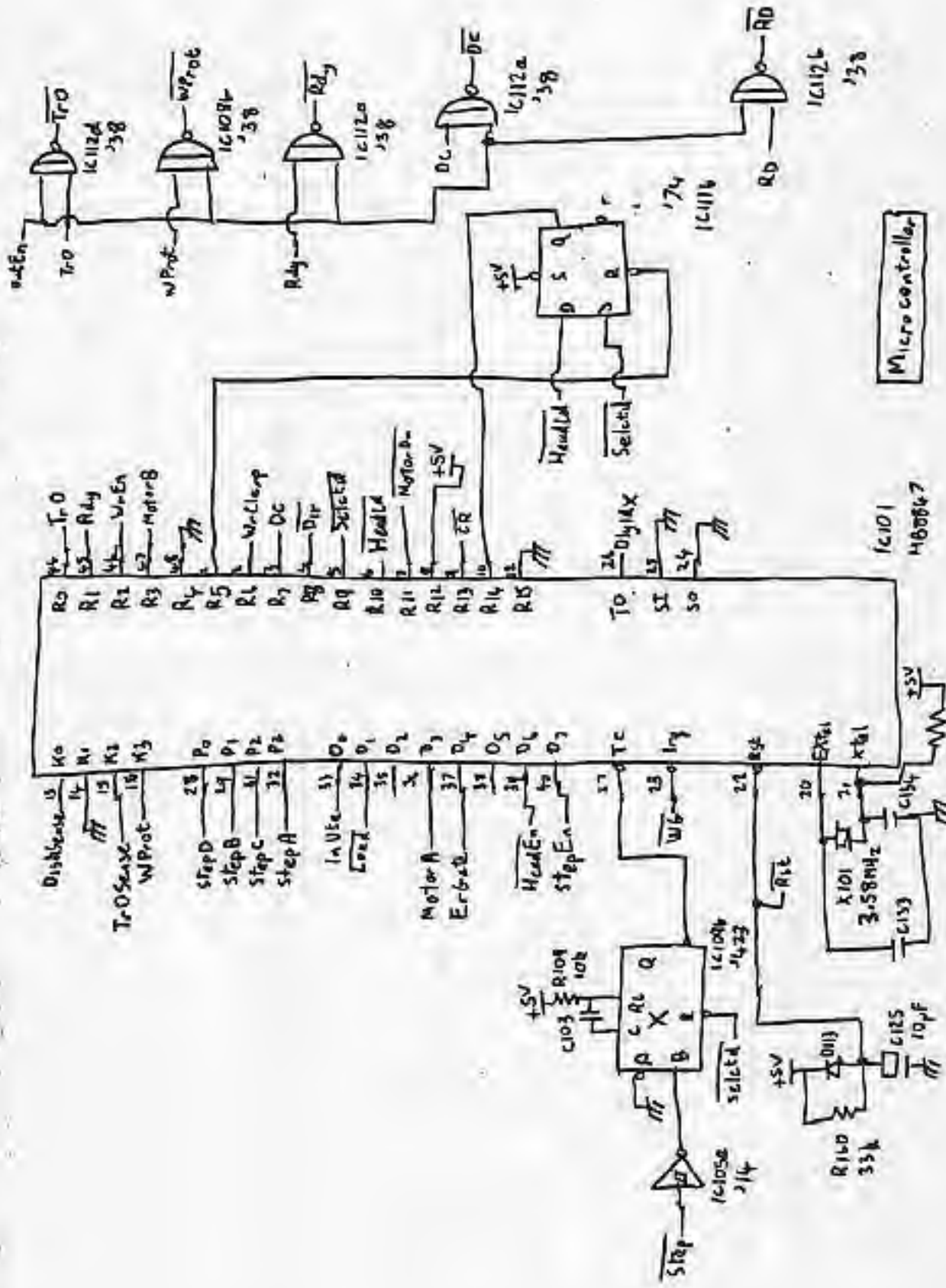




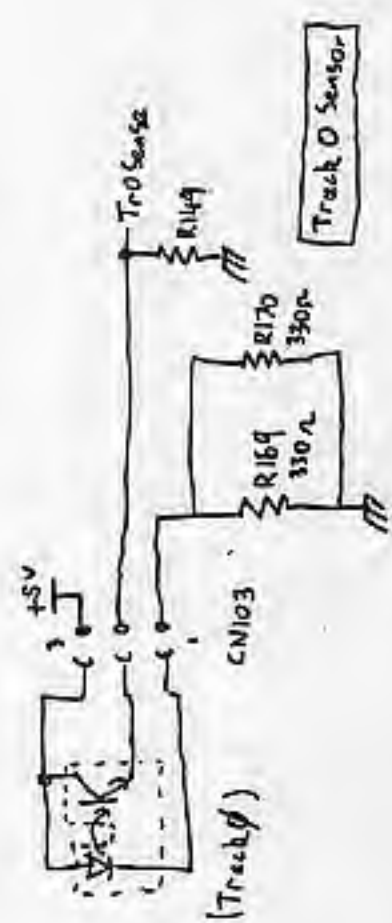
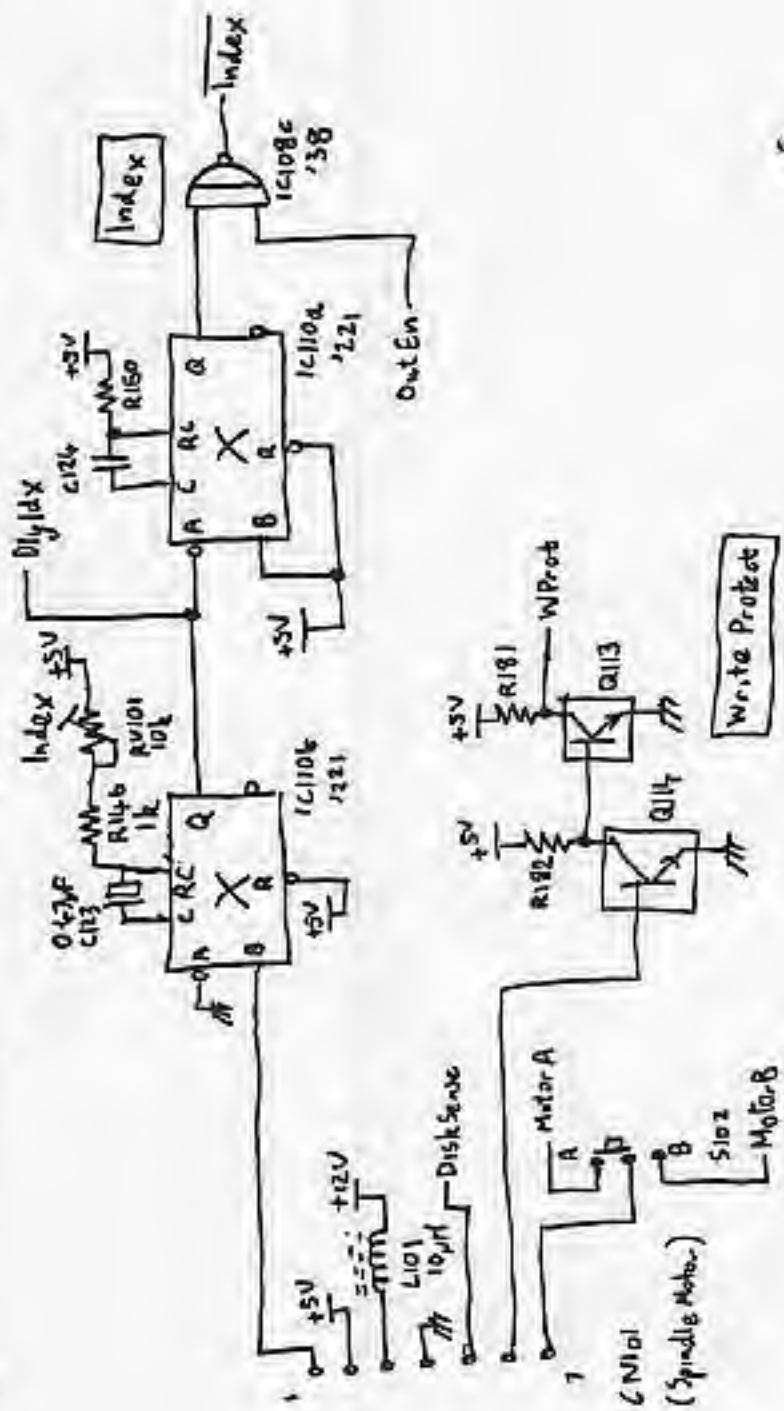
Read Sync



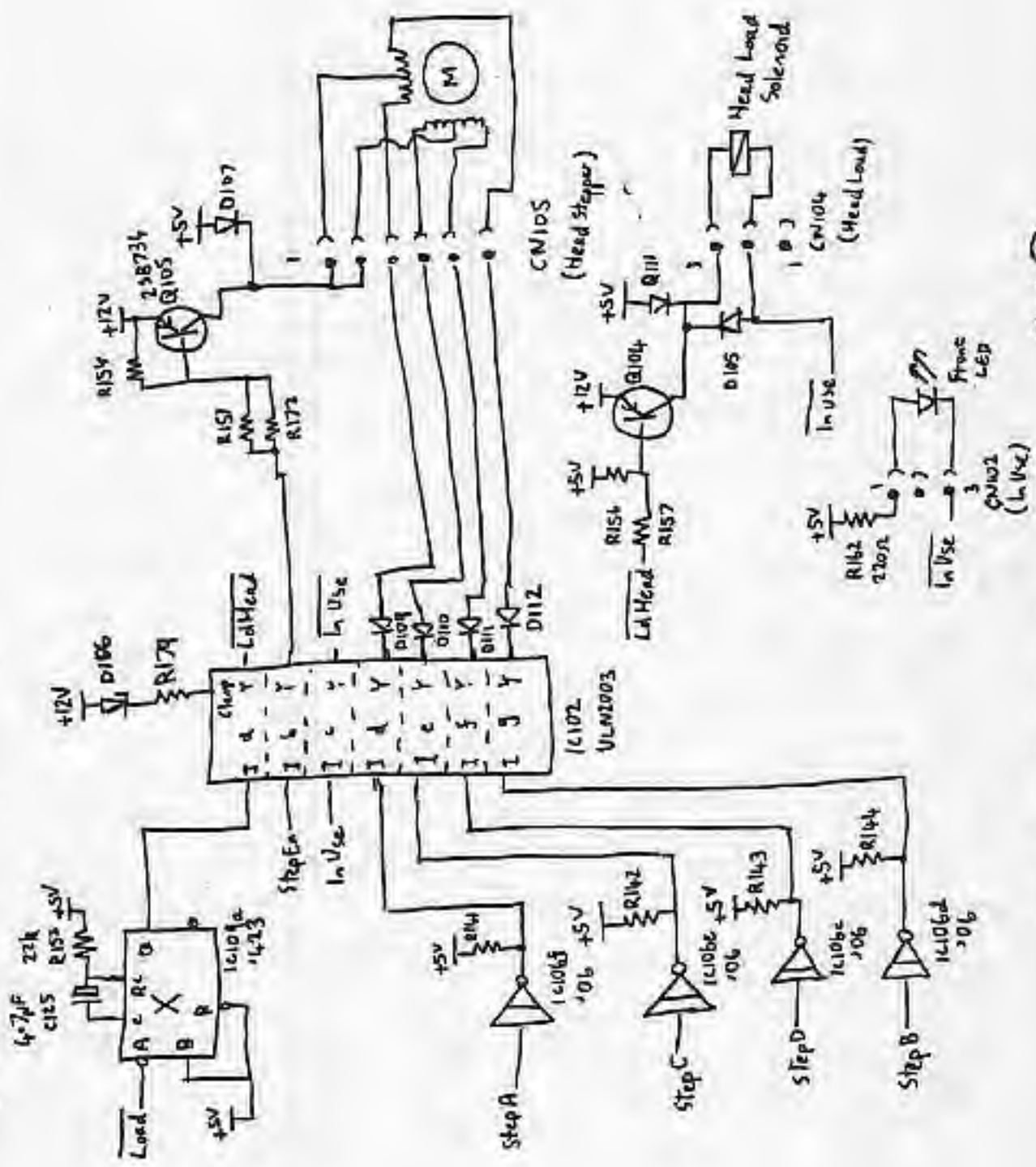
Sony Floppy Drive Logic Board FC9 Slot ①



Sony Floppy Drive Logic Board FC9 Slot 2

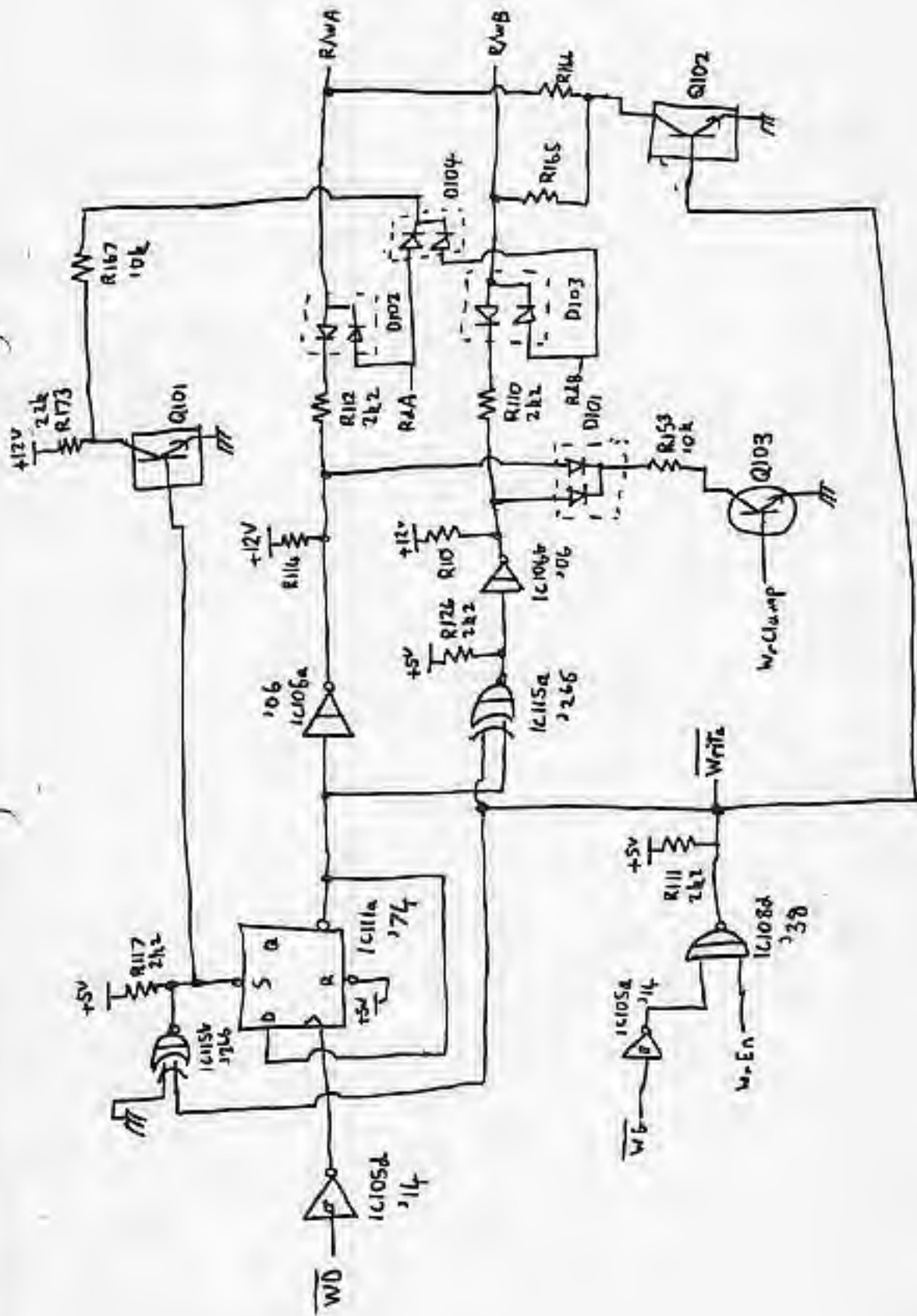


Sony Floppy Drive Logic Board FC9 Sheet 3

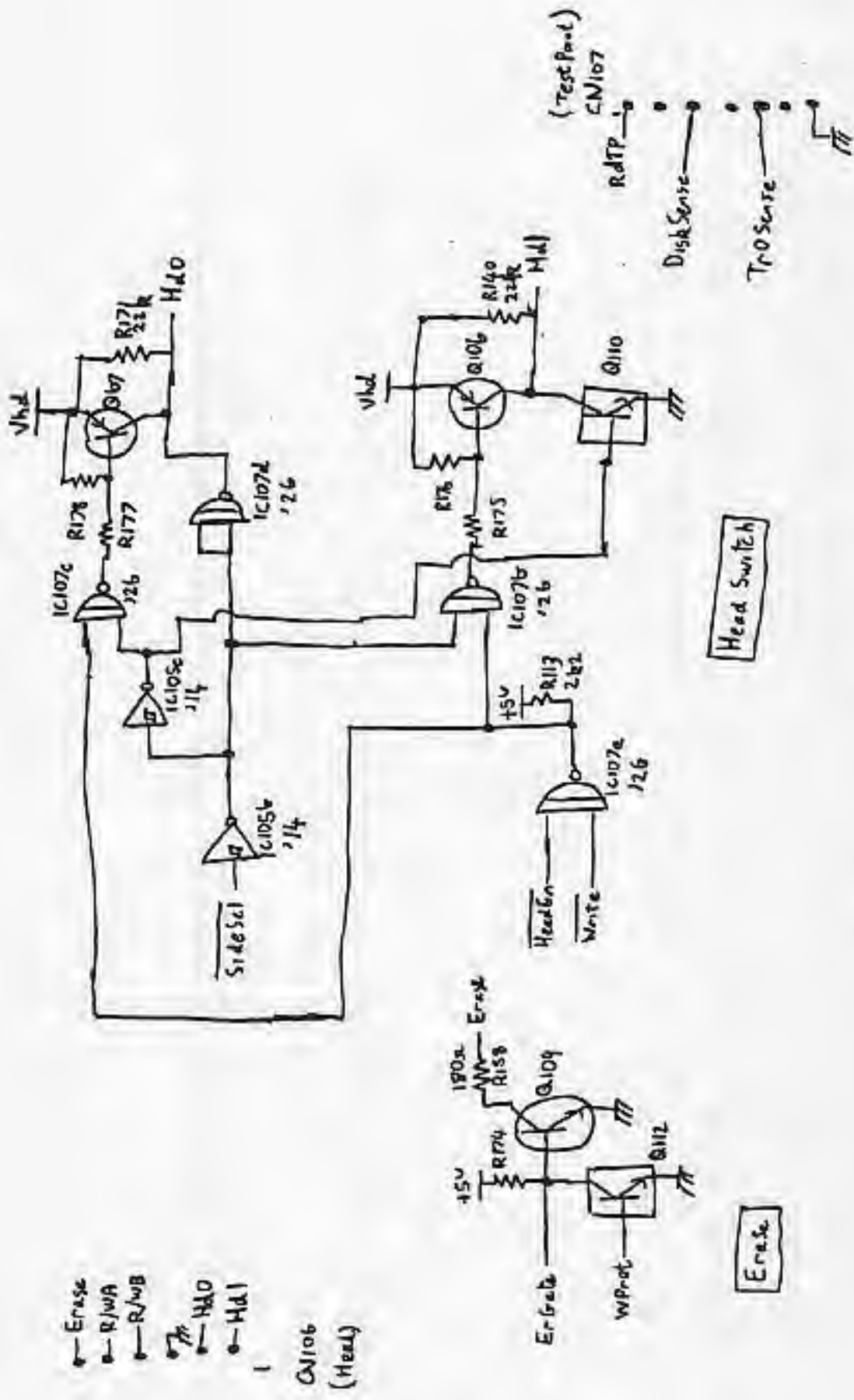


Sheet 4

Sony Floppy Drive Logic Board FC9



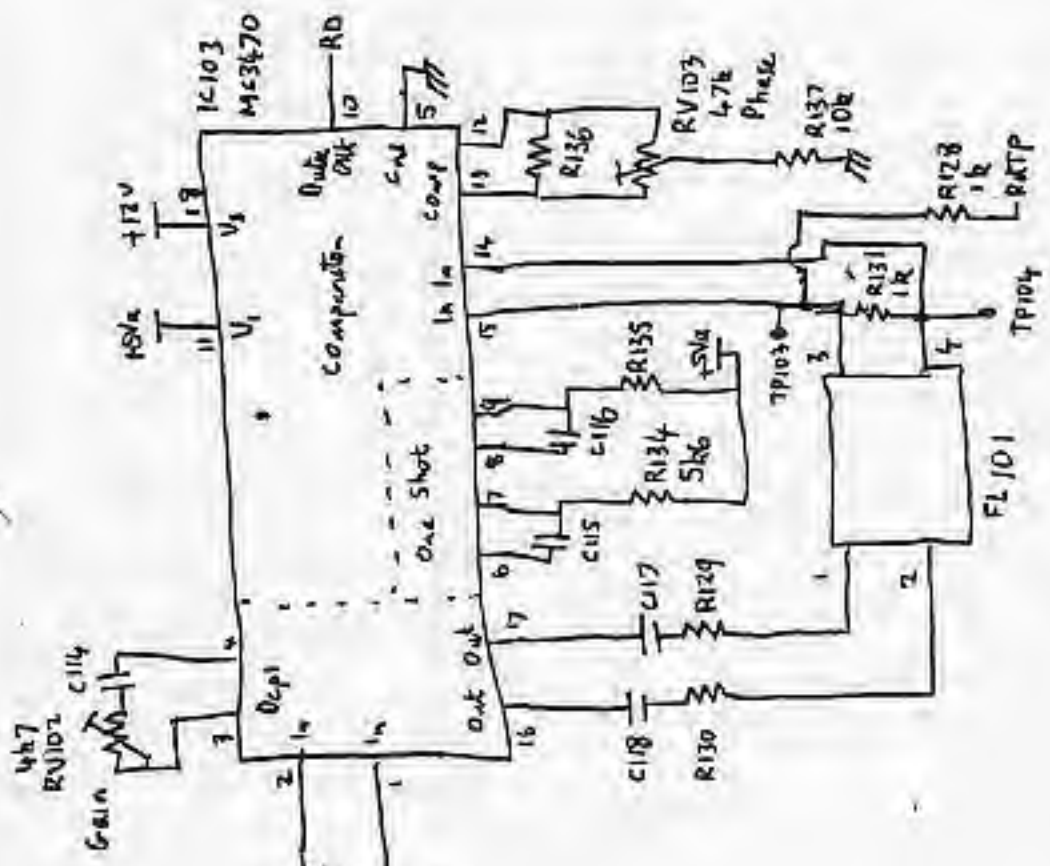
Write



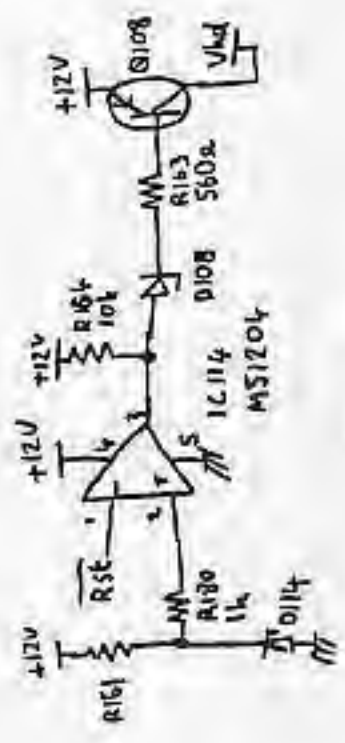
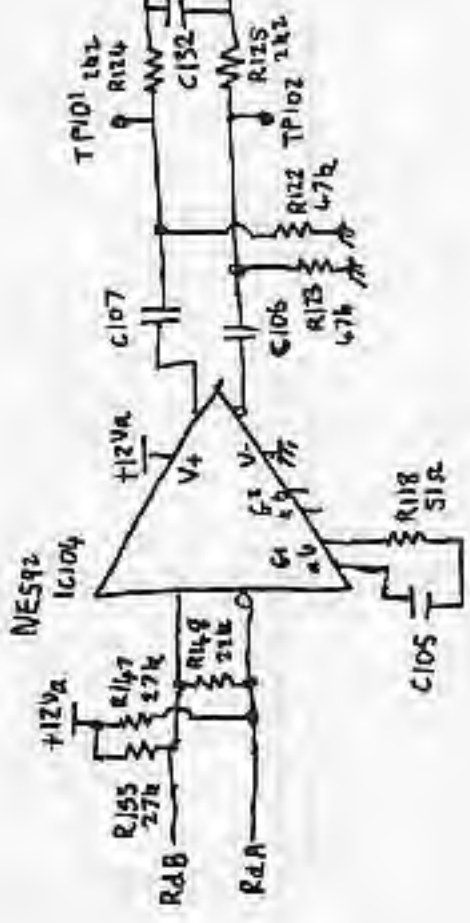
- Erase
- R/WA
- R/WB
- HAD
- HDI
- CN107 (Head)

Head Switch

Erase

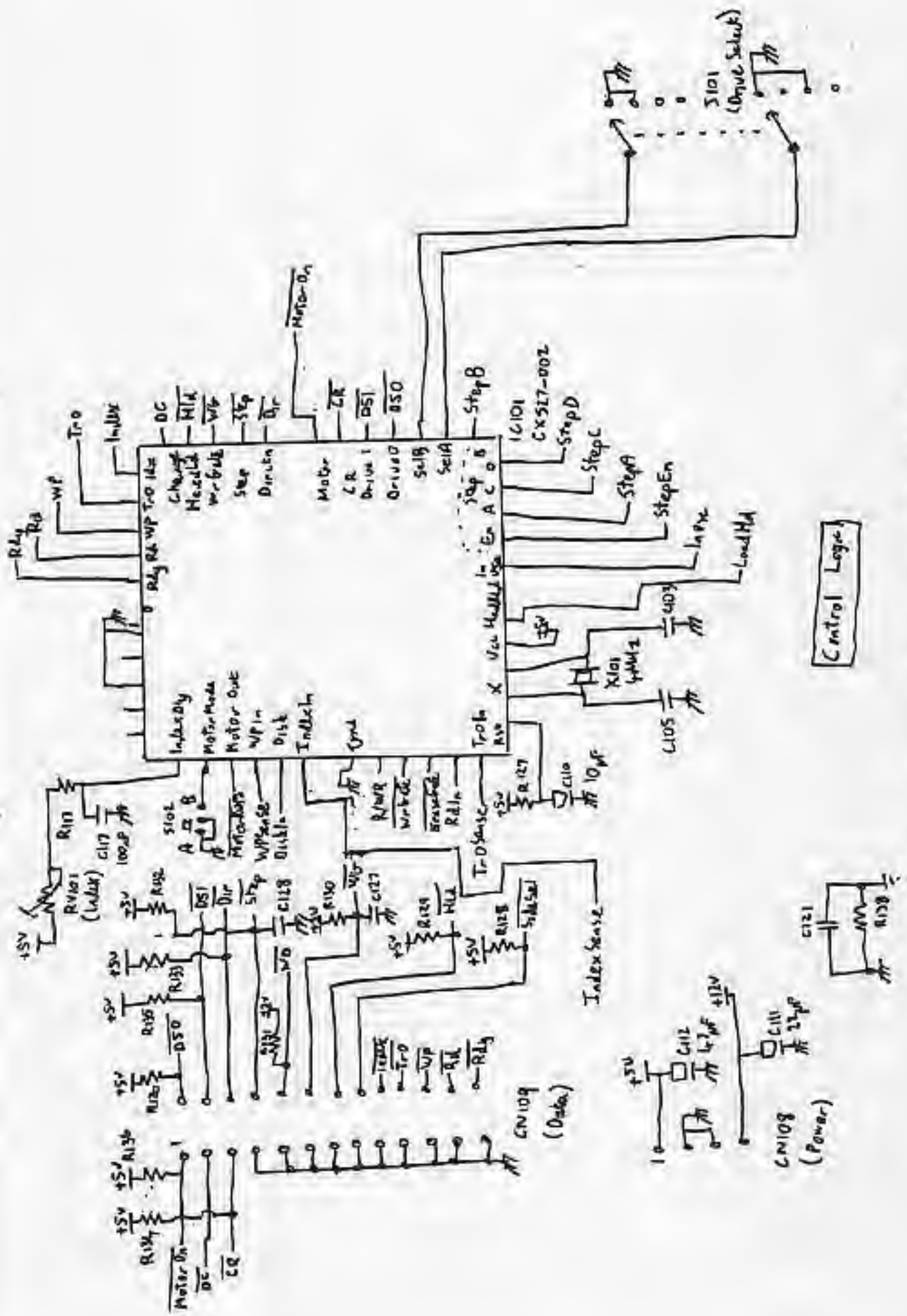


Read

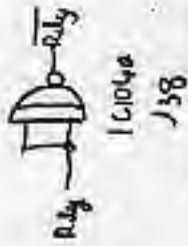


Power Ok

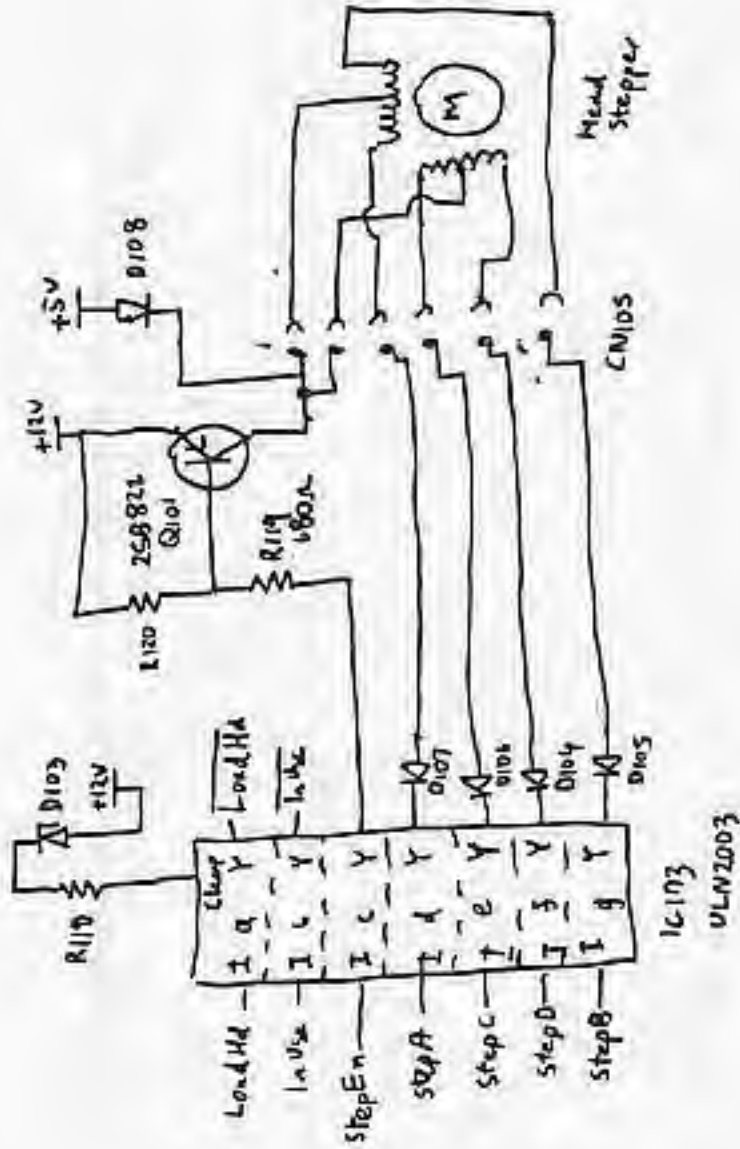
Sony Floppy Drive Logic Board FC9 Sheet 7



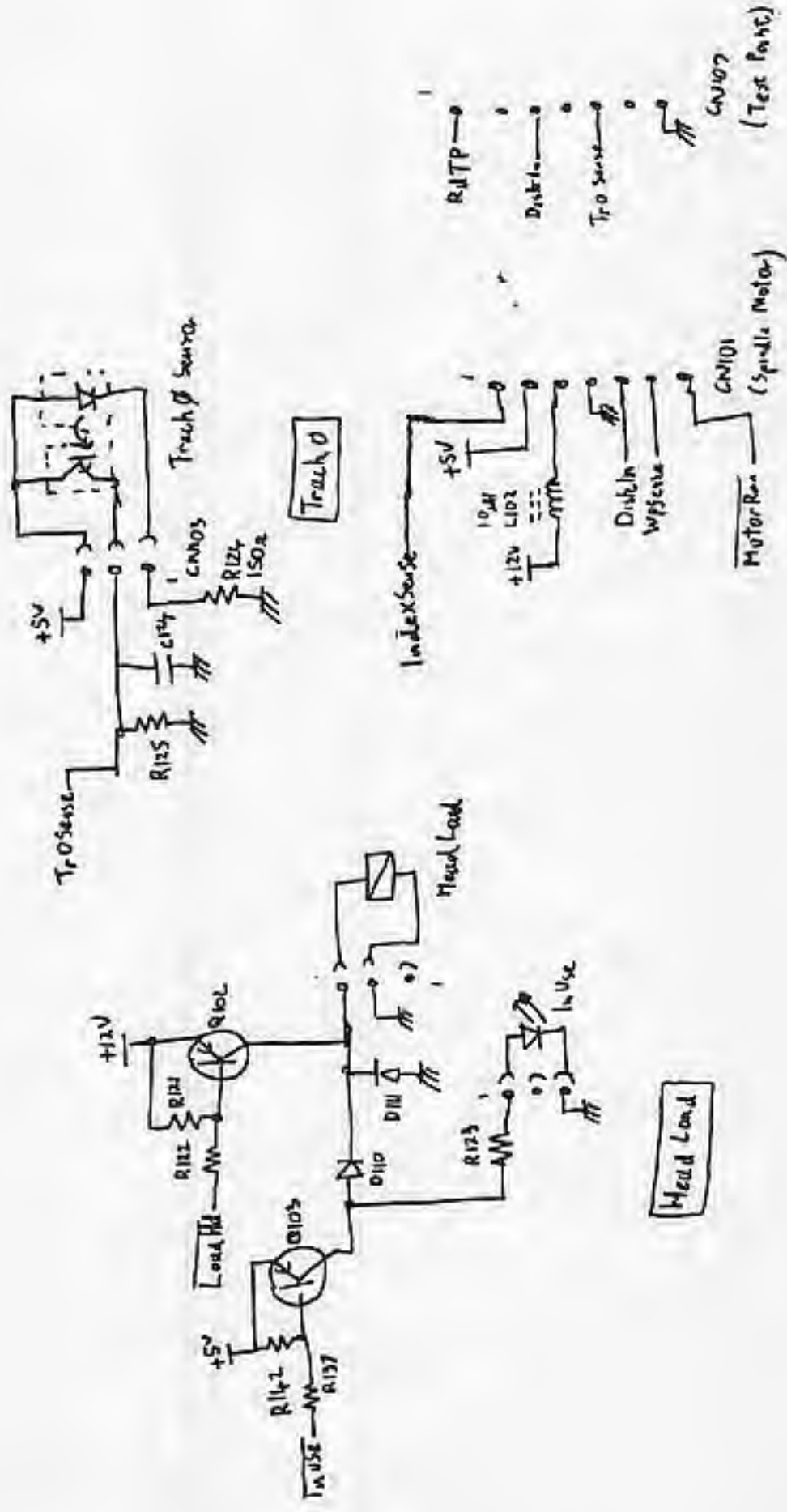
Sony Floppy Drive Logic Board FC16 Sheet 1



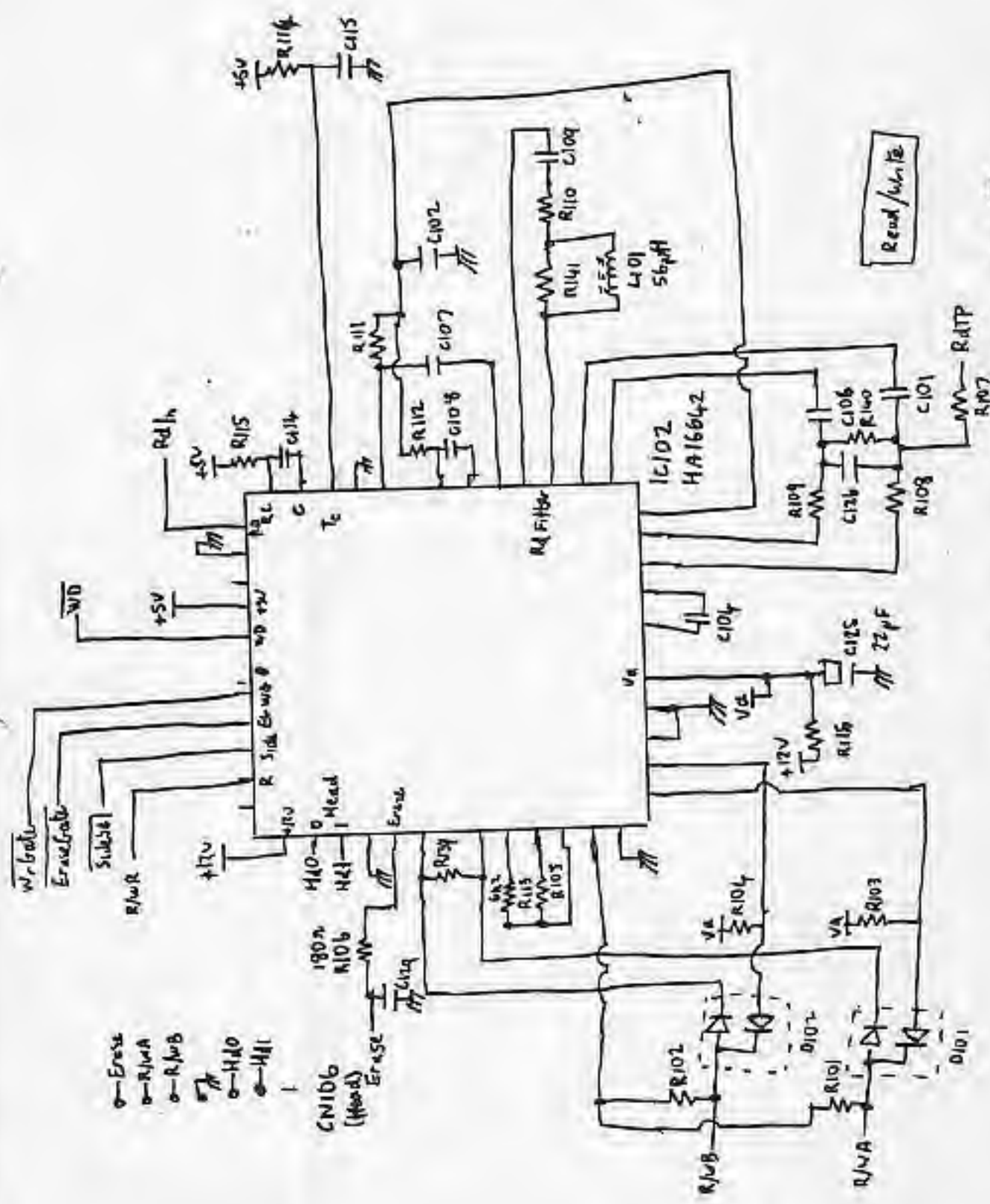
Interfacing Output



Stepper Driver



Sony Floppy Drive Logic Board PCB Sketch

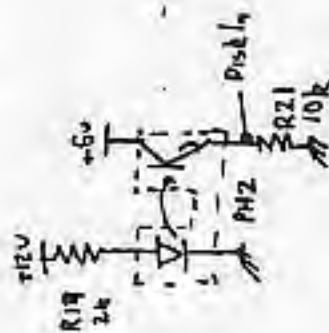
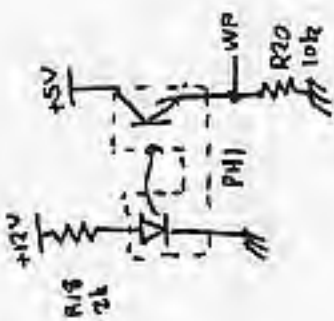


Sony Floppy Drive Logic Board Full Sheet (4)

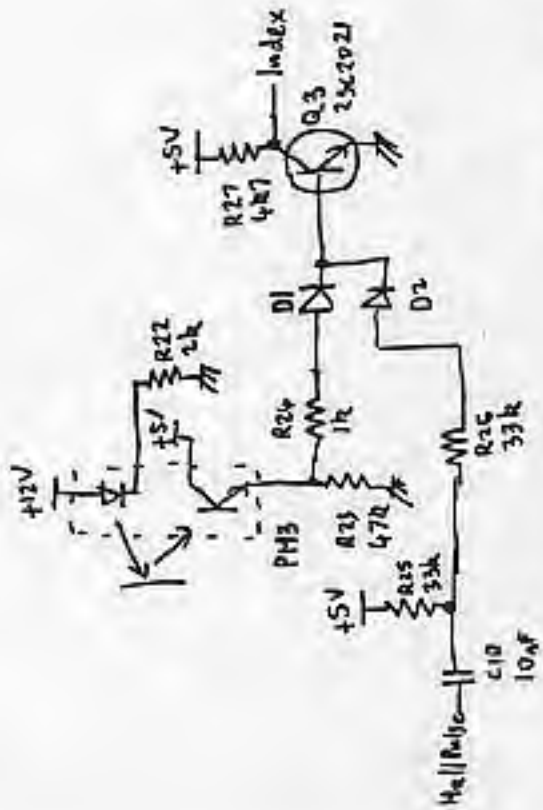
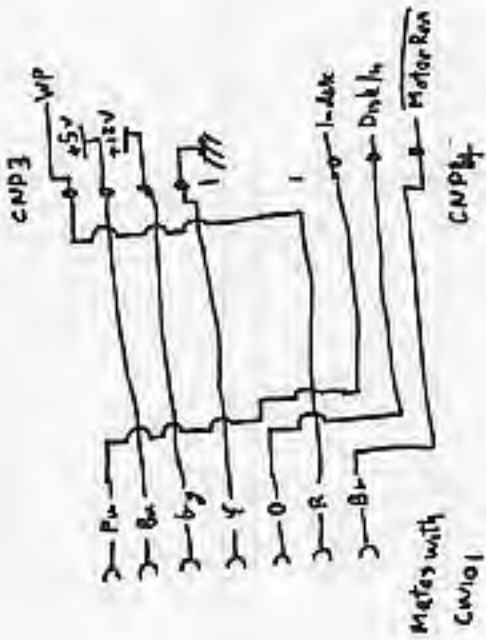
- o-Erase
- o-R/WA
- o-R/WB
- o-H40
- o-H41

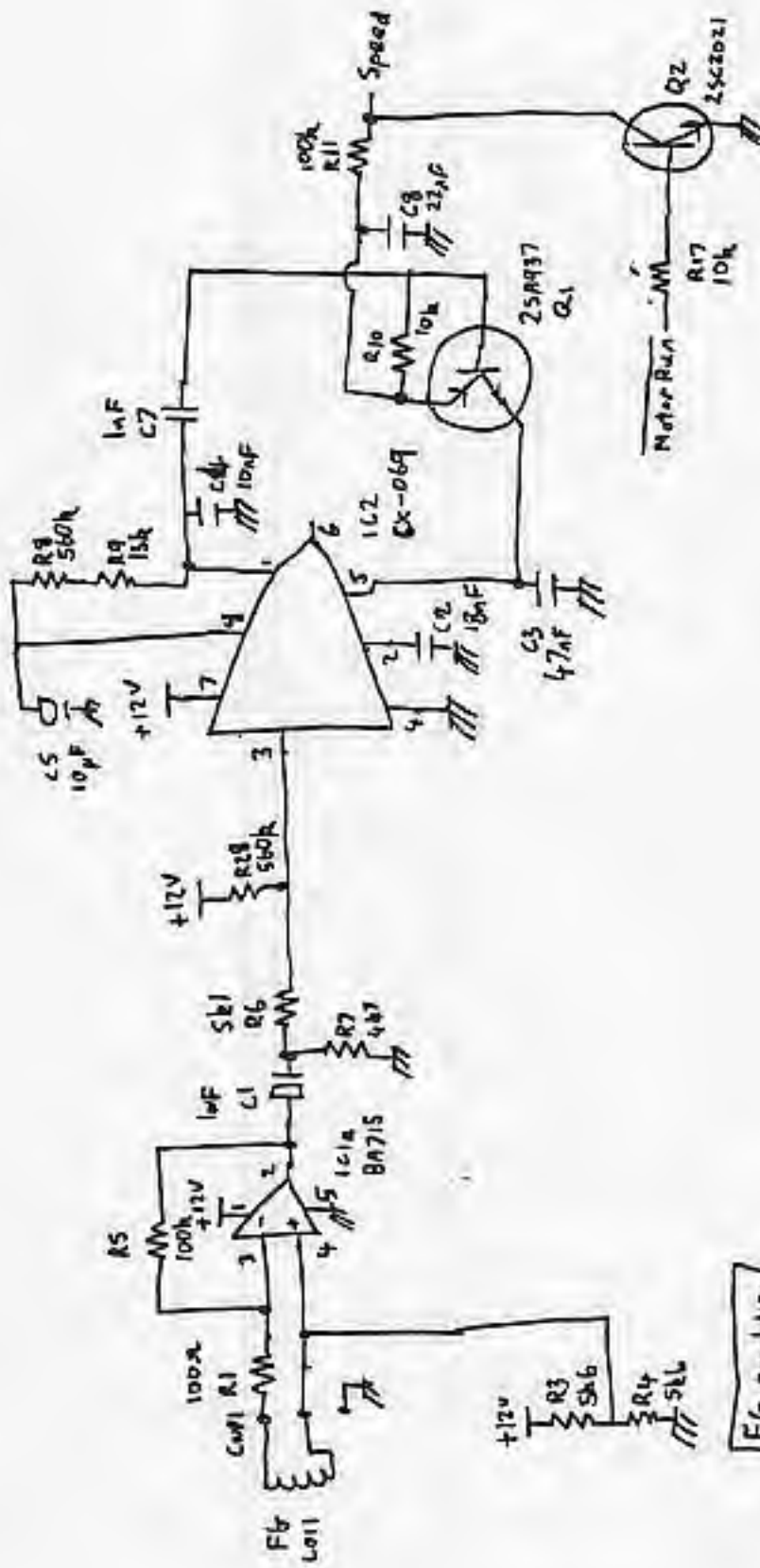
CN106
(Head)
Erase
H40
H41

Read/Write



Sensors

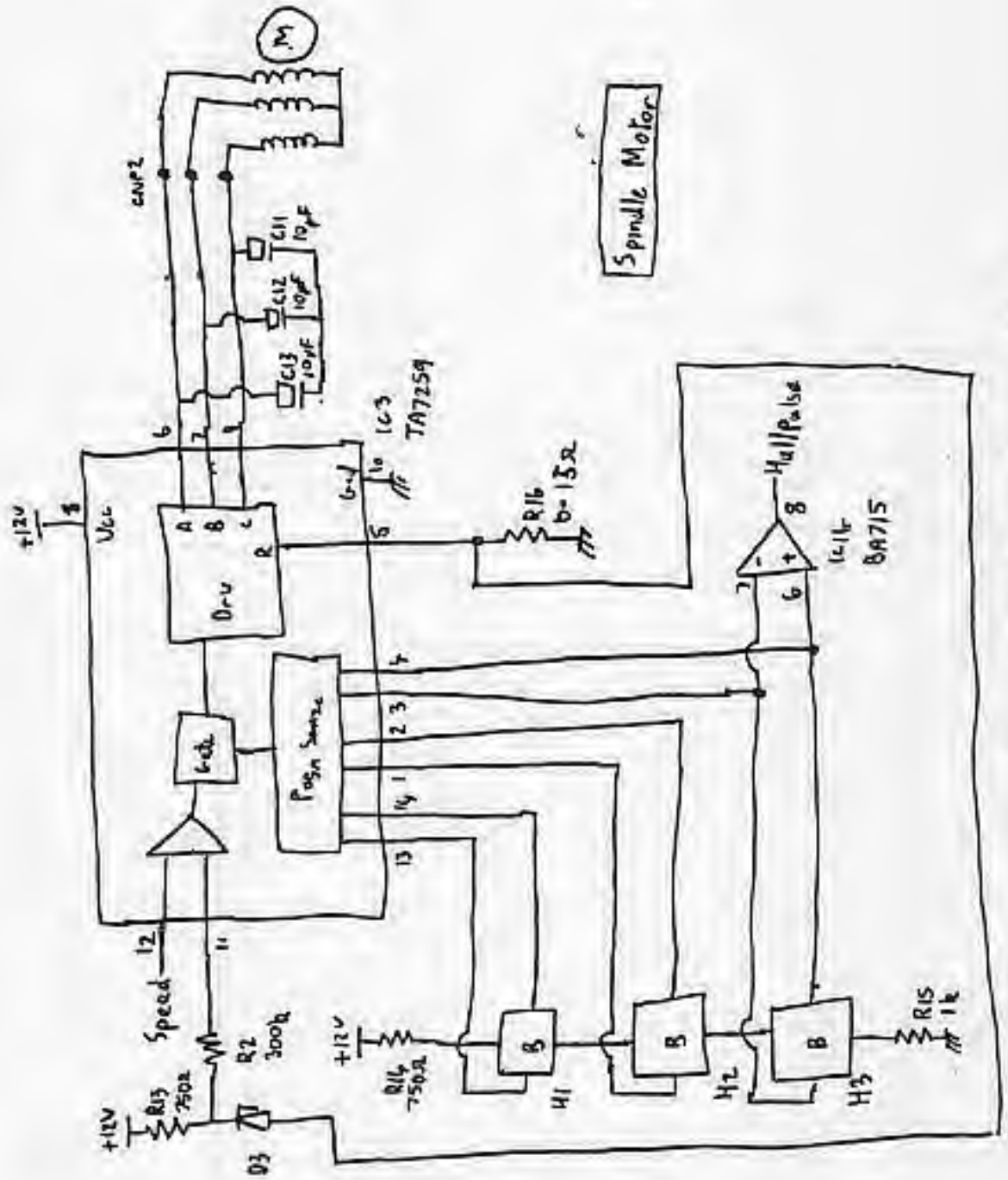




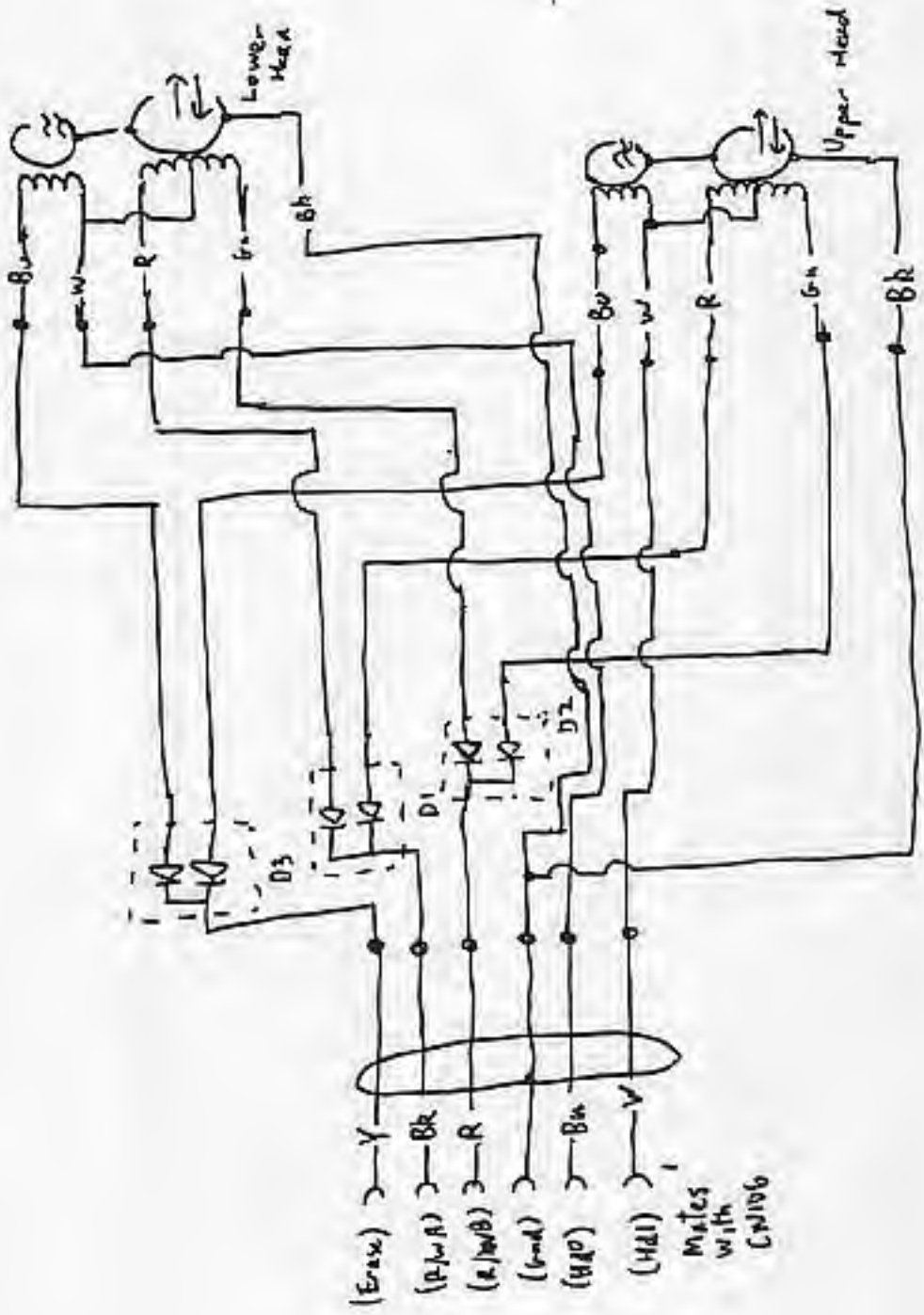
Spindle Speed

FG Amplifier

Sony Floppy Drive Spindle Motor skat(2)



Spindle Motor



Sony Floppy Drive Double-Sided Head