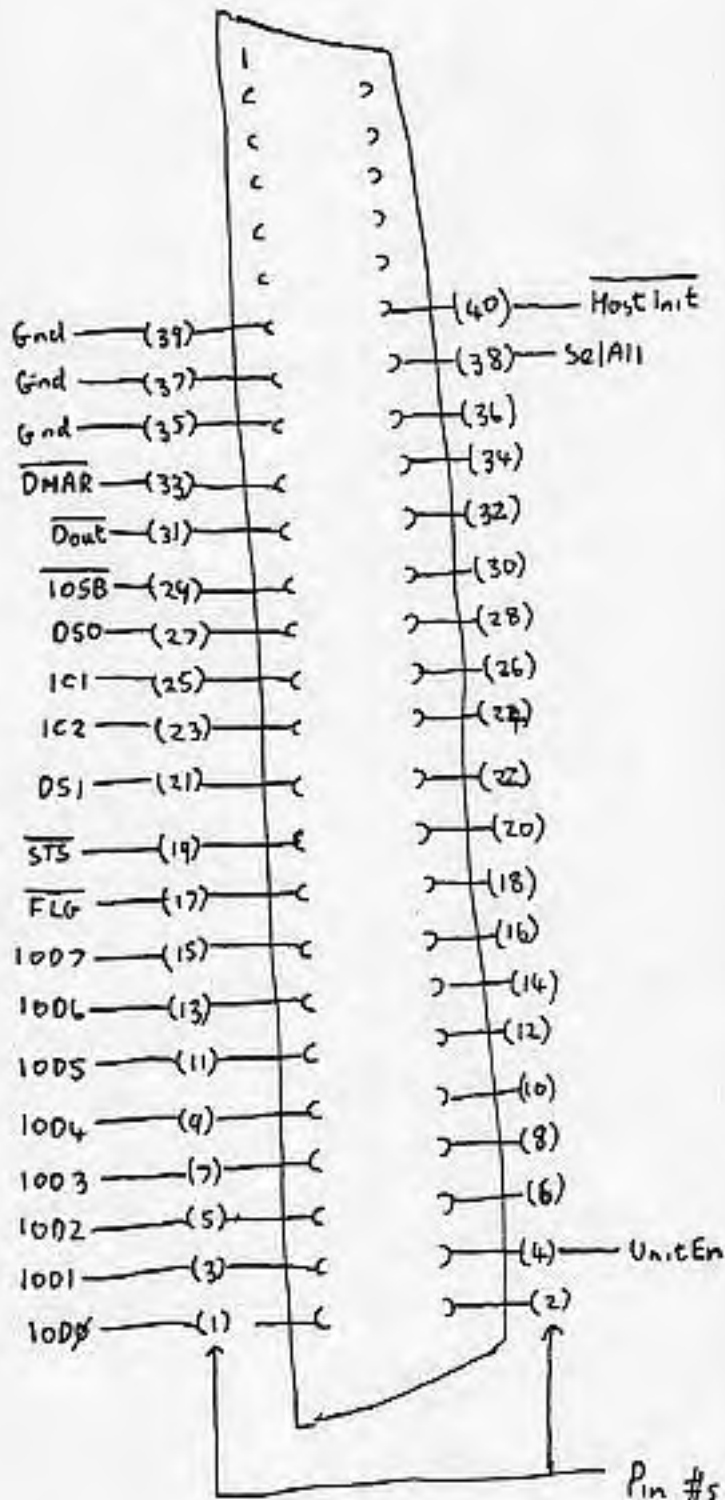
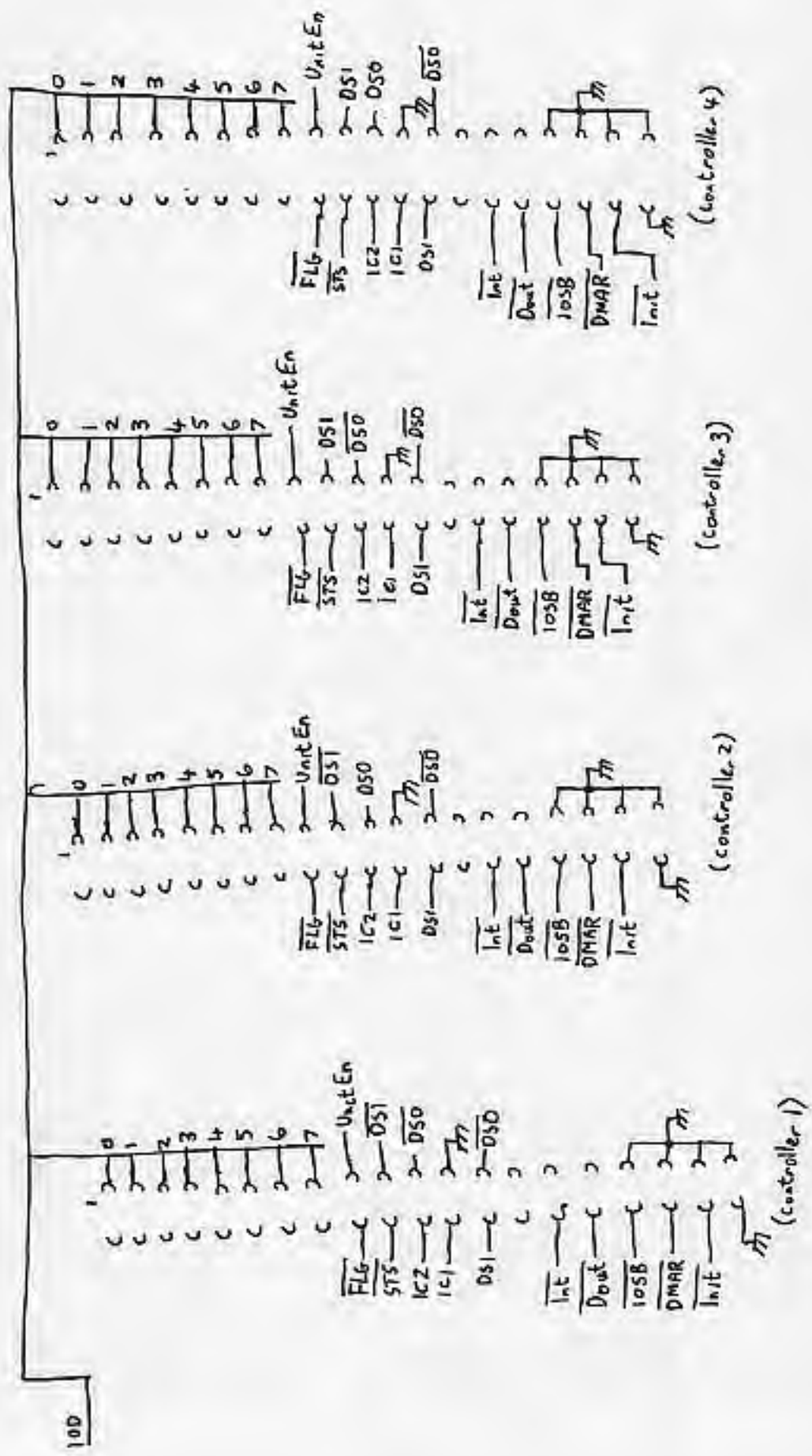


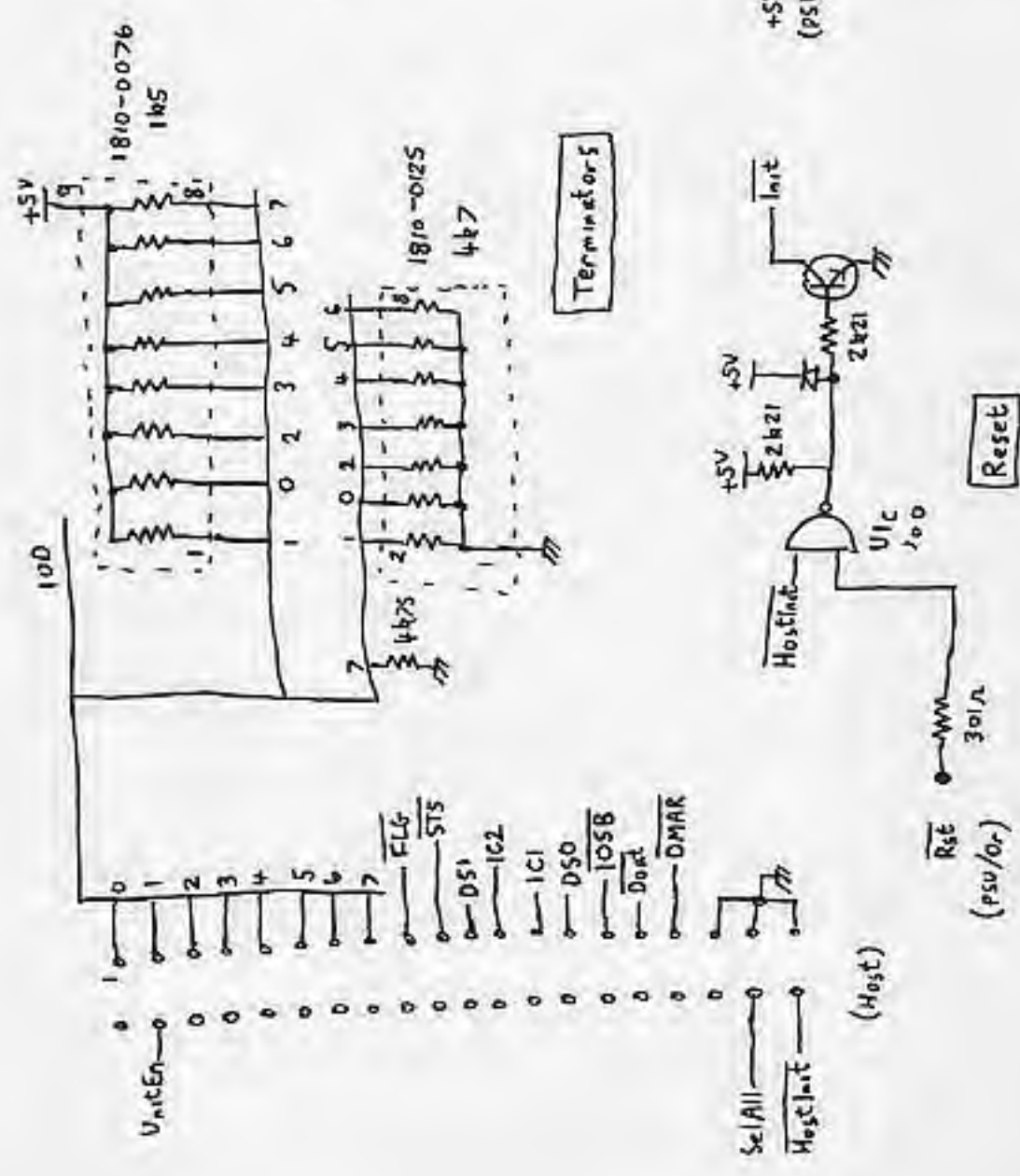
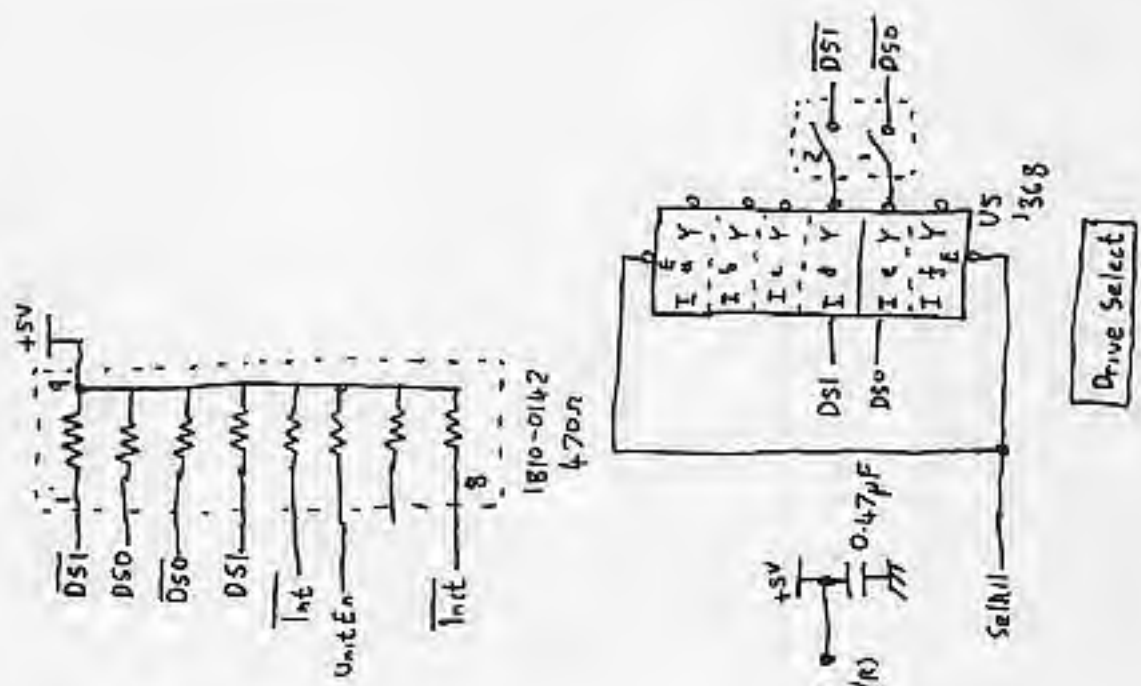
HP9677 Host Connector

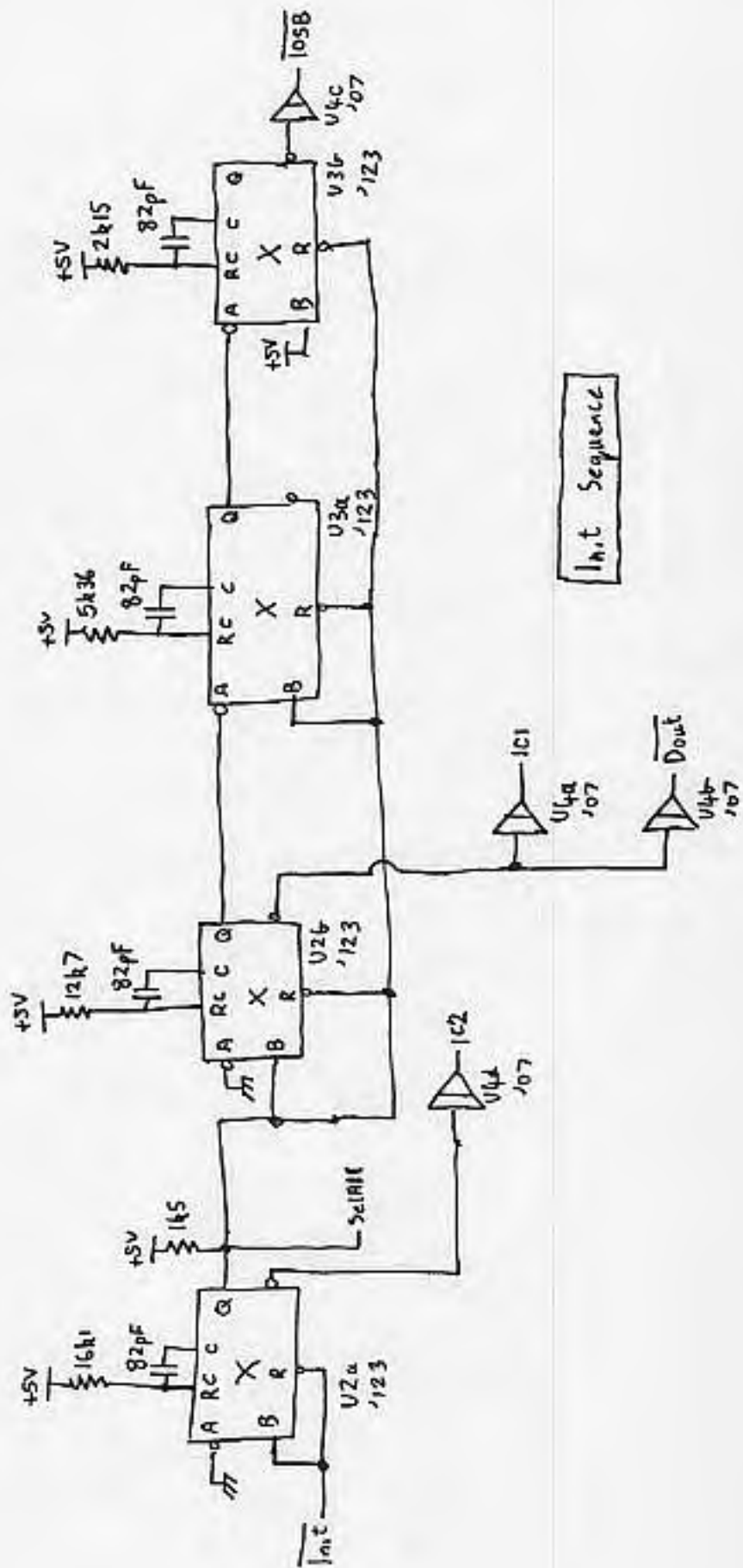


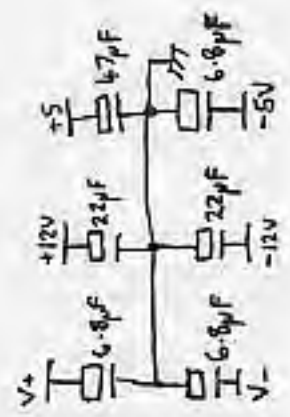
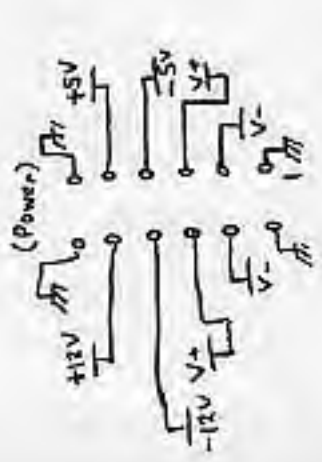
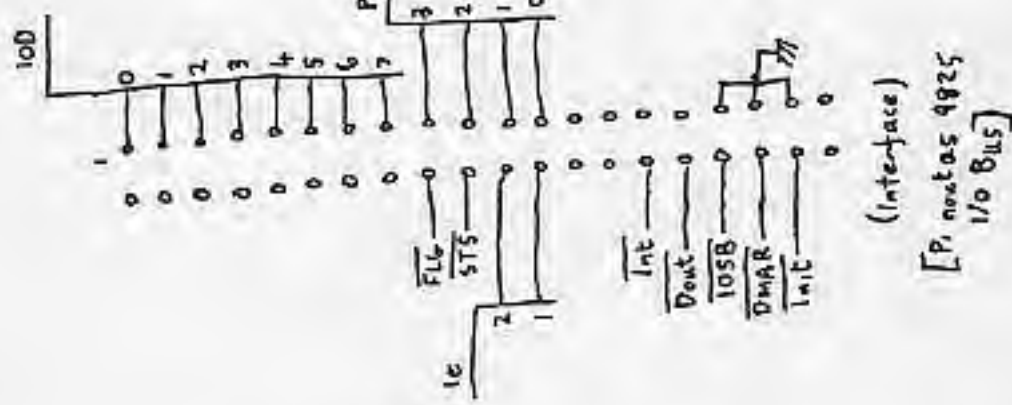
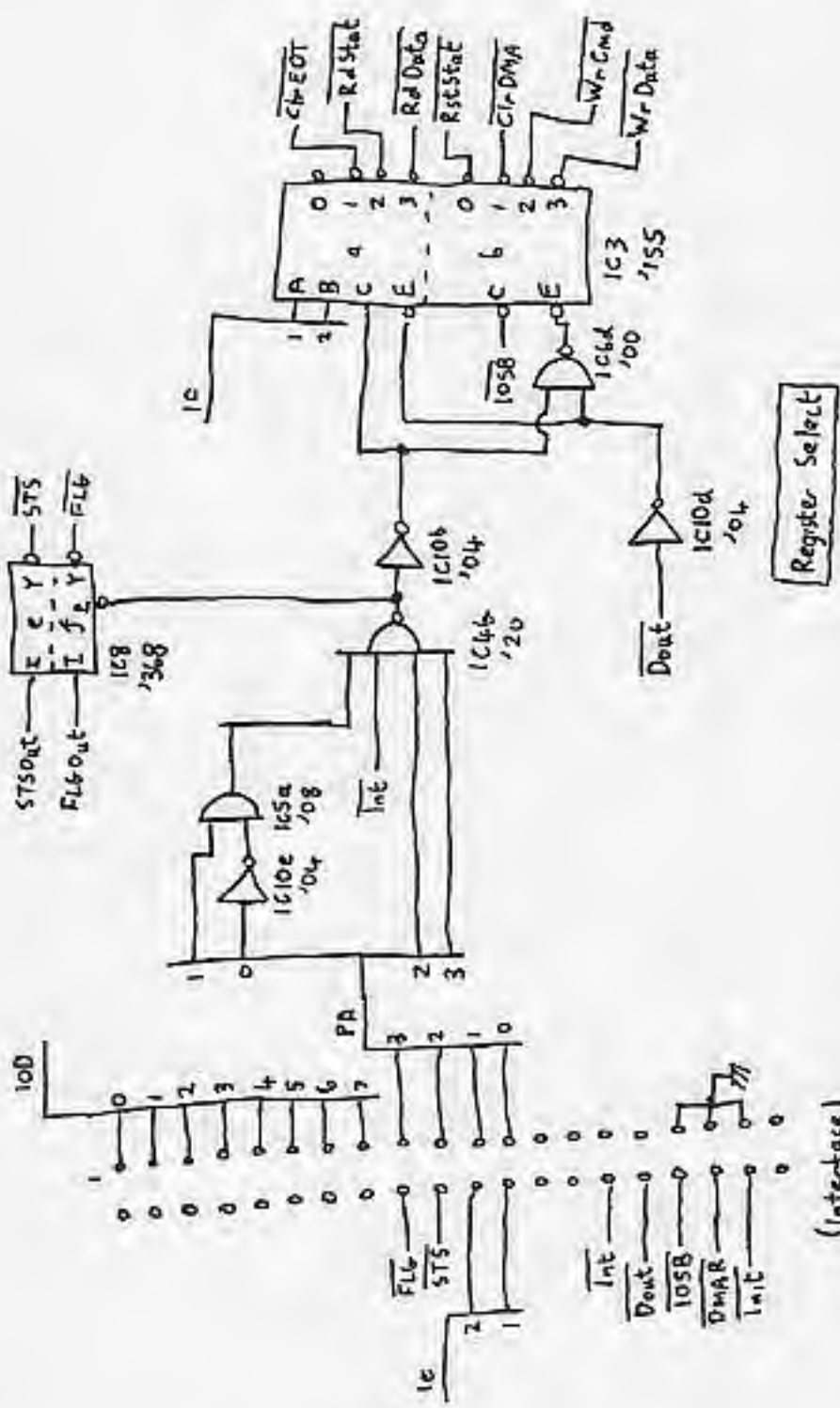
Pin #s on Interface PCB
Edge Connector

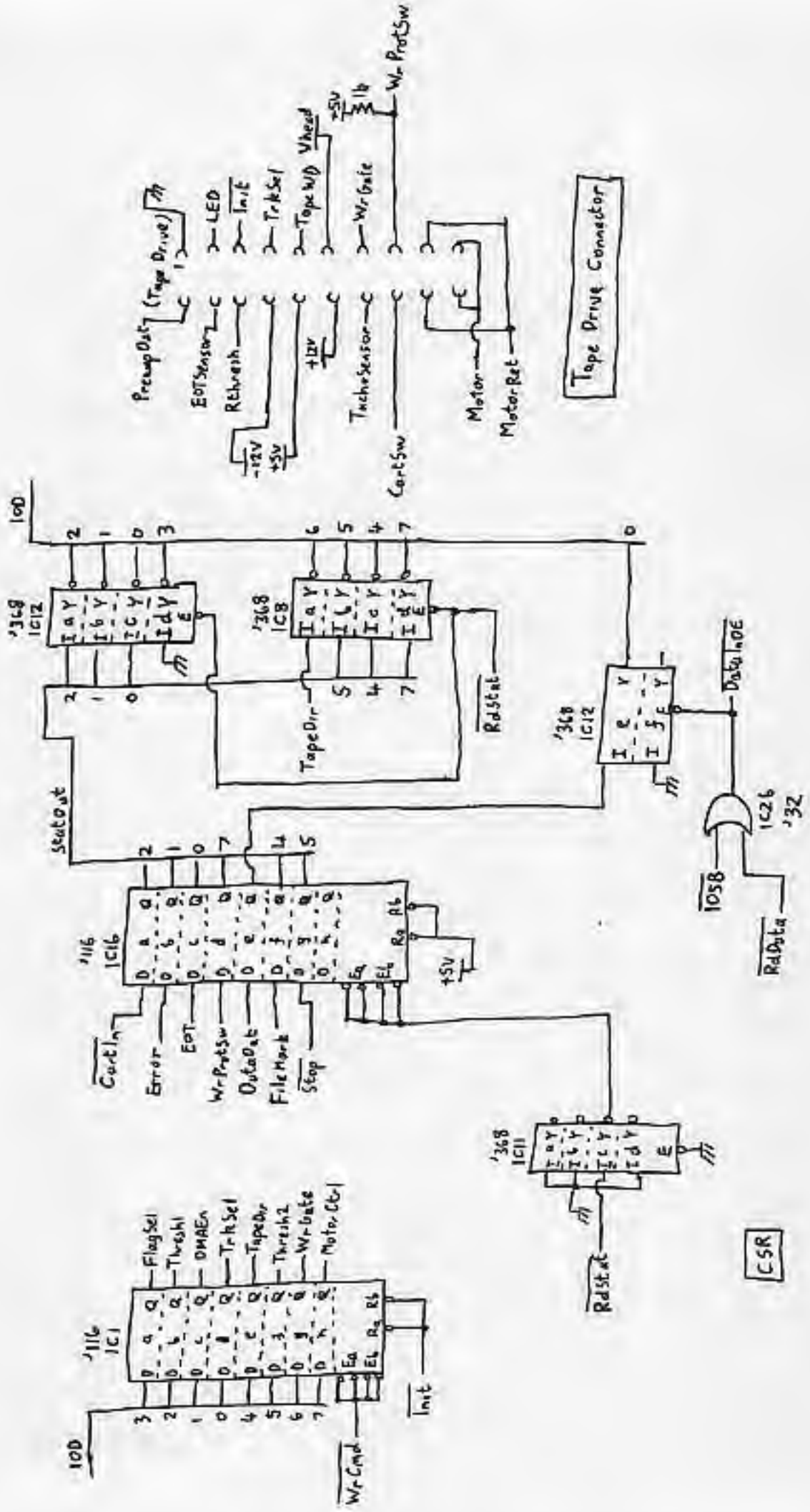


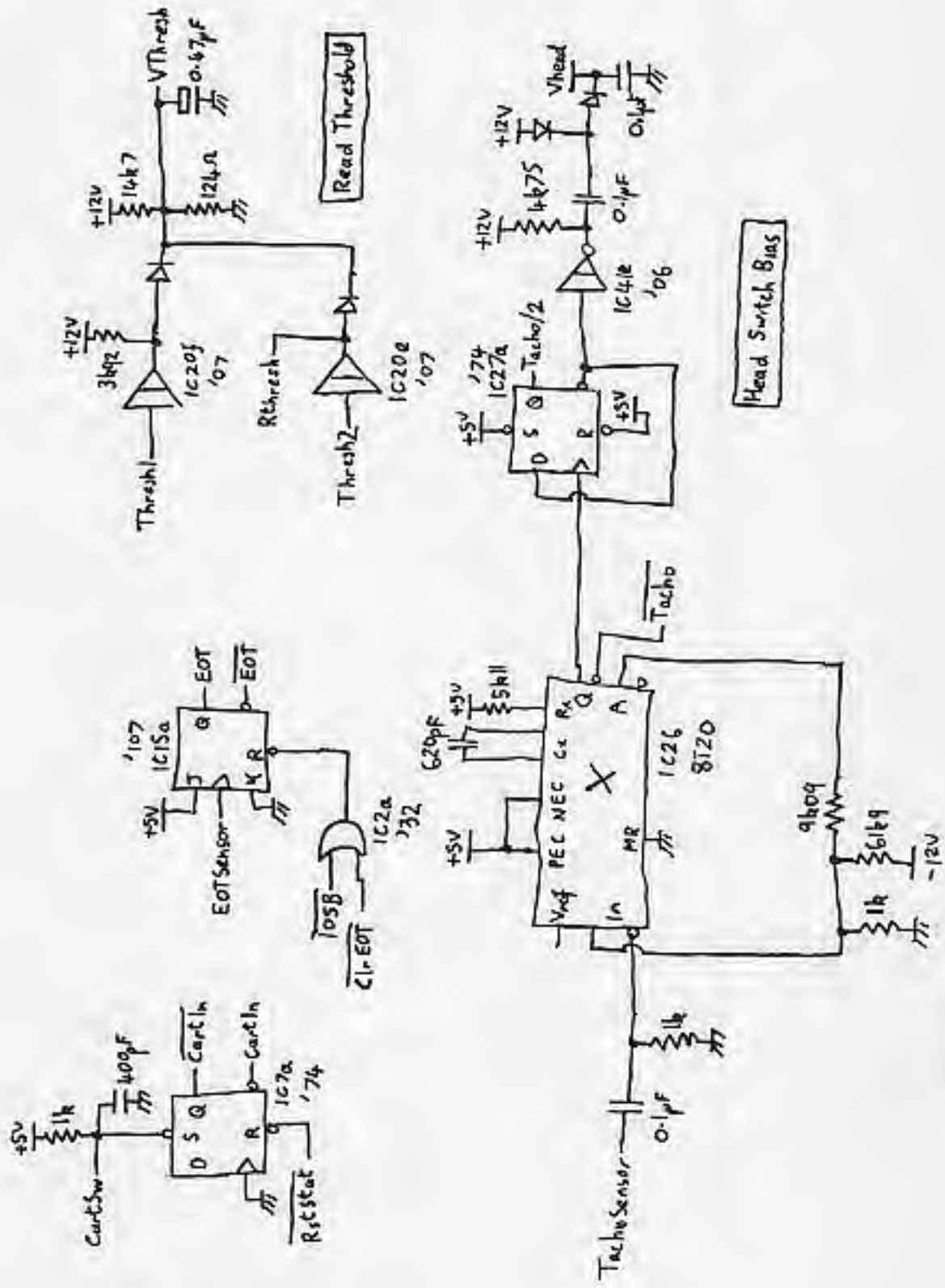
Controller Connectors







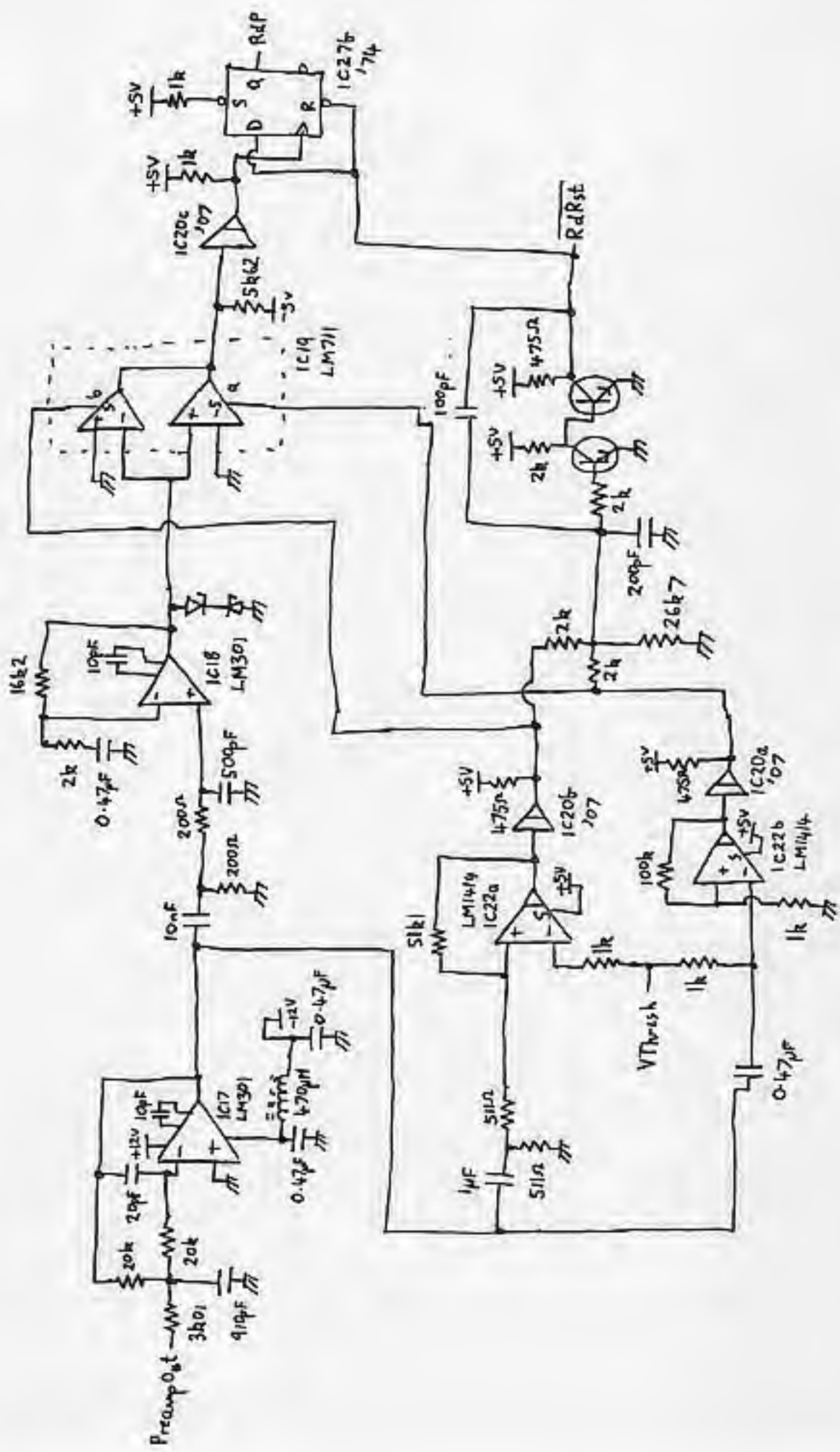


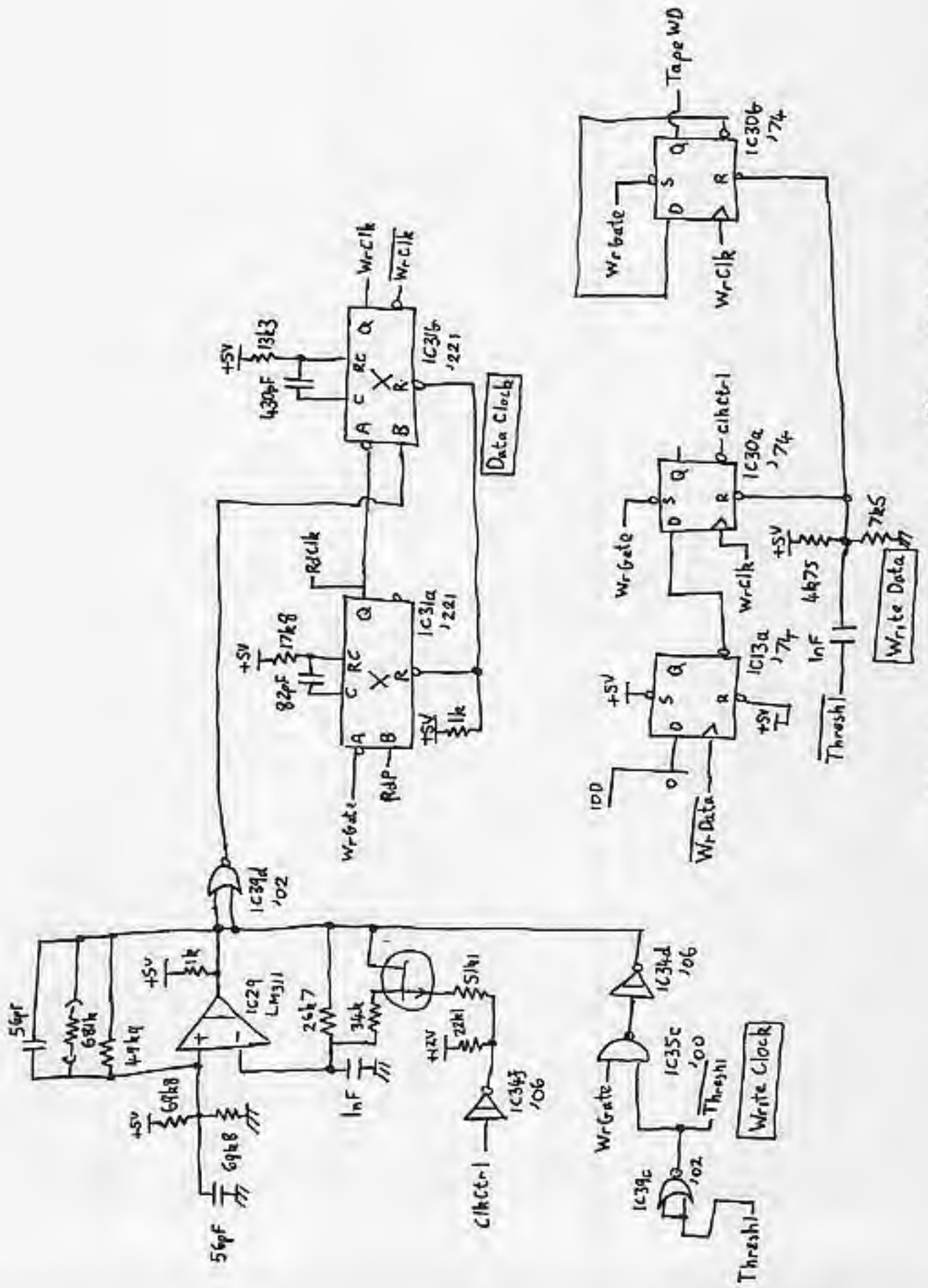


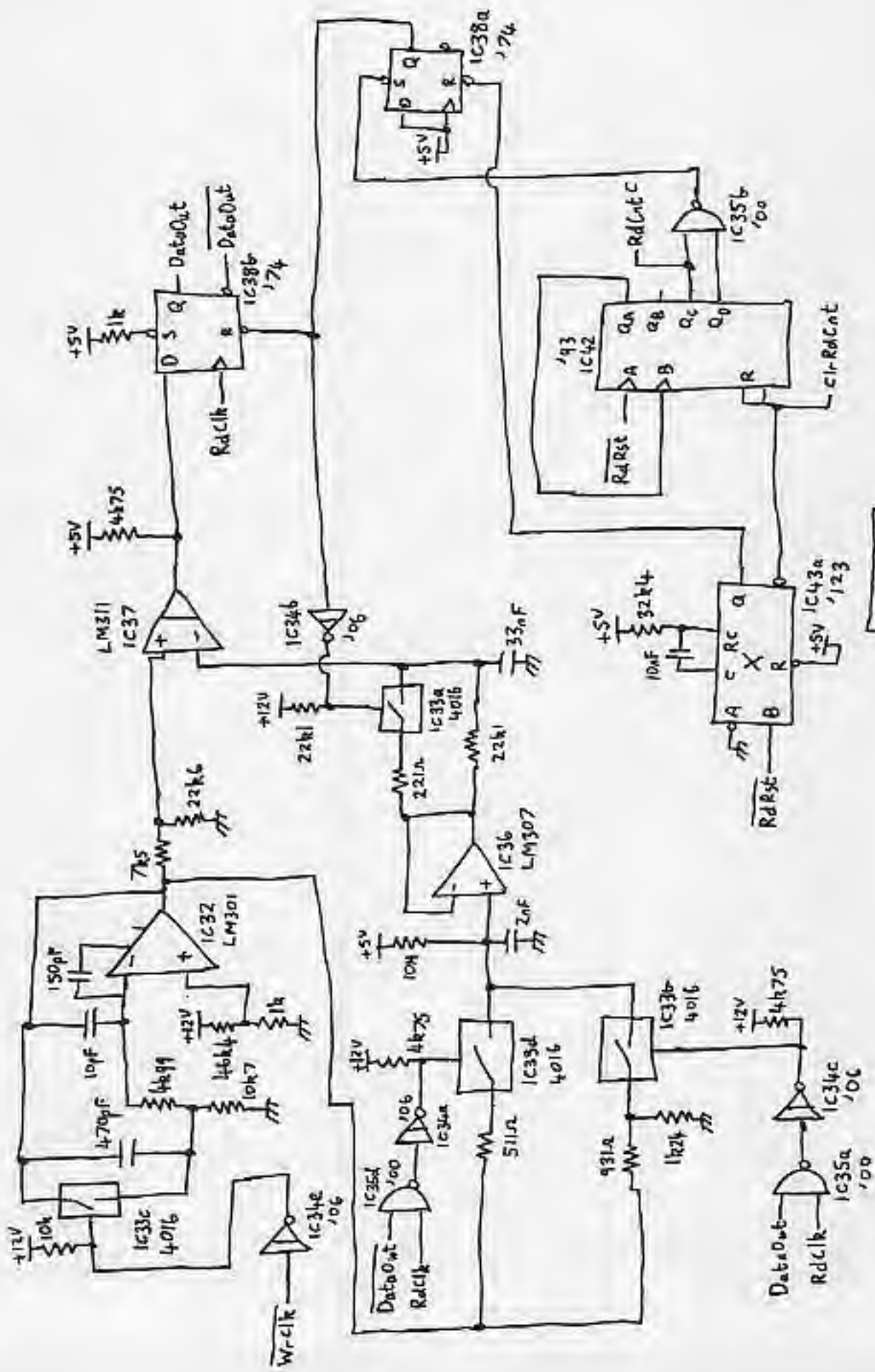
Tape Sensors

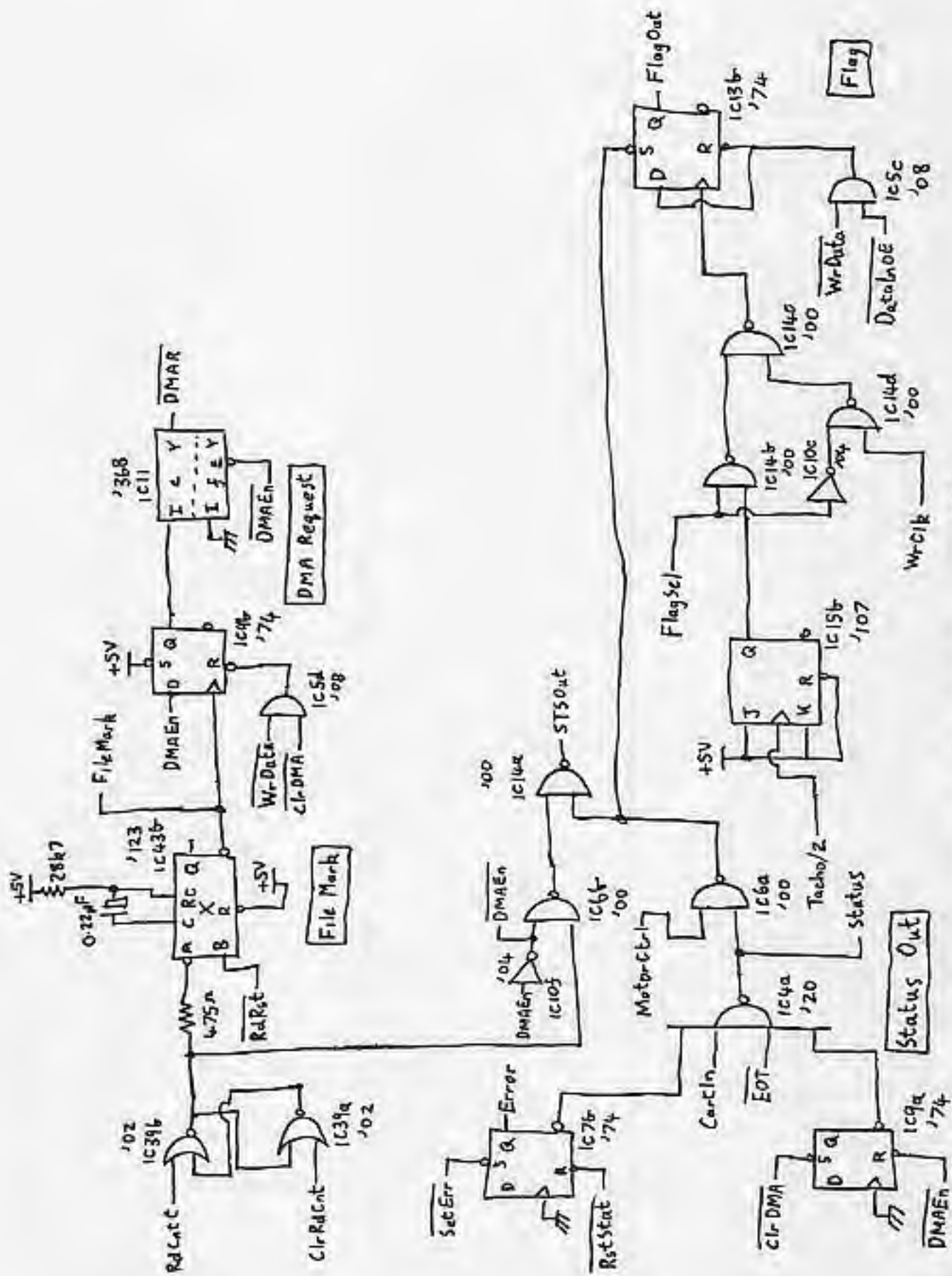
Head Switch Bias

Read Threshold

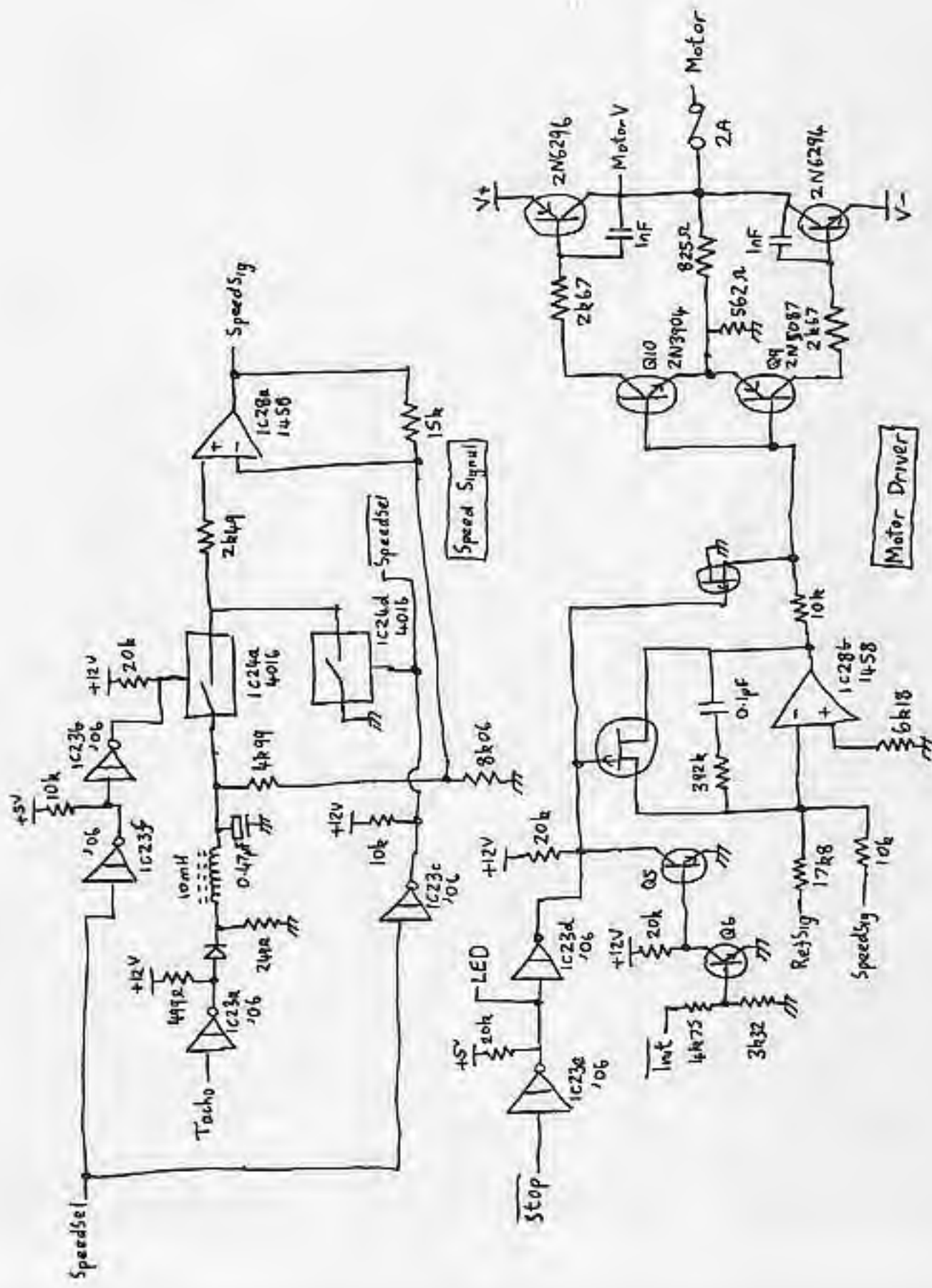


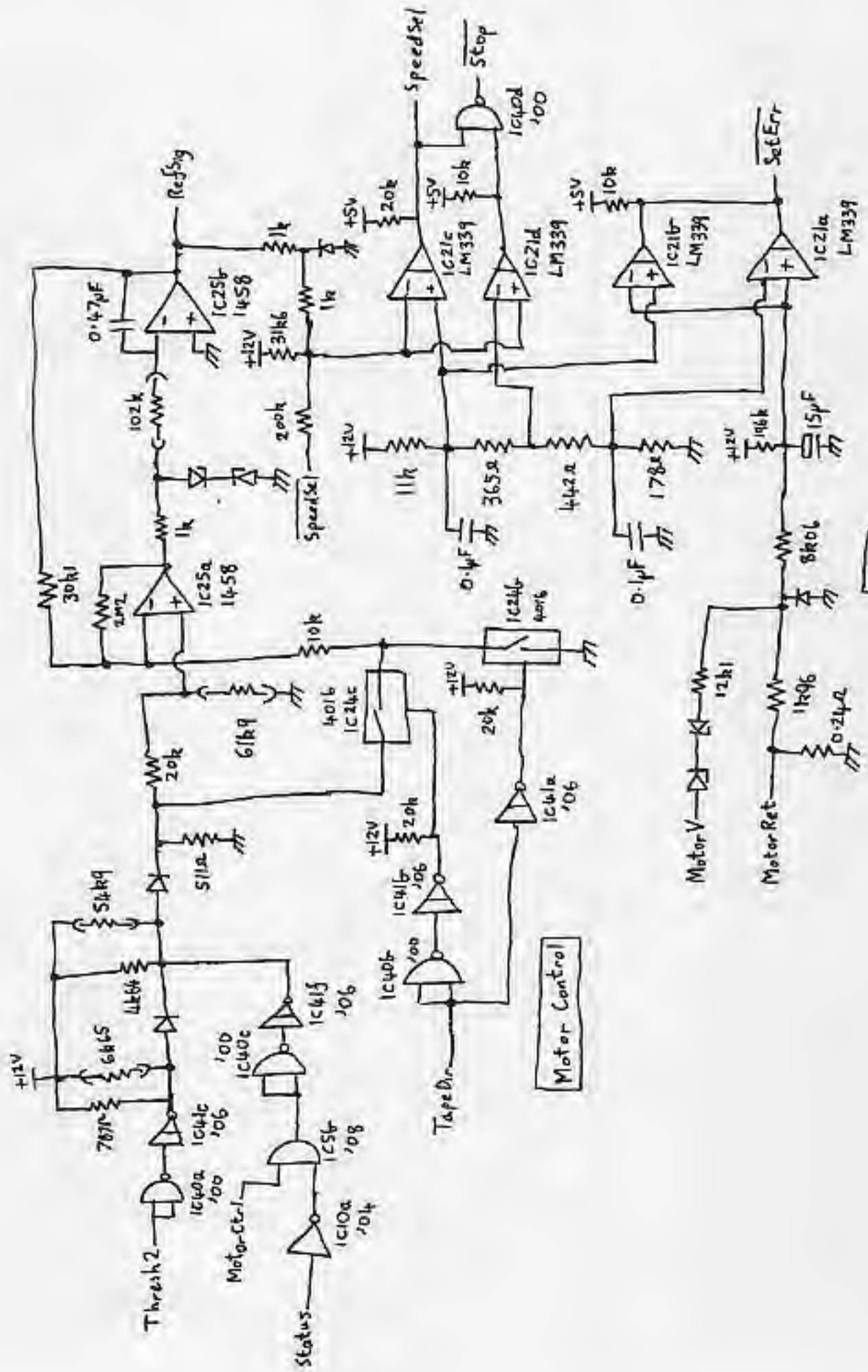






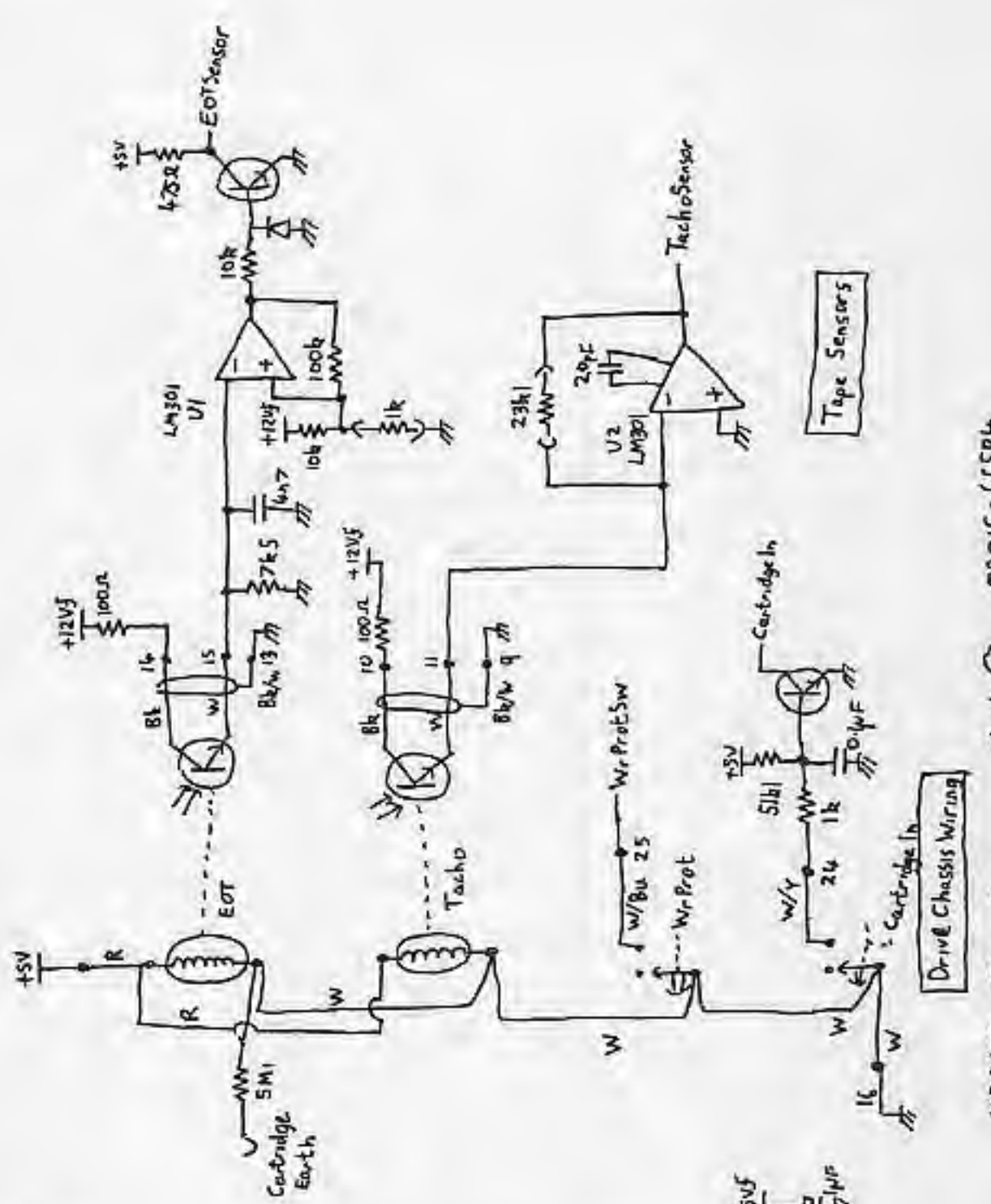
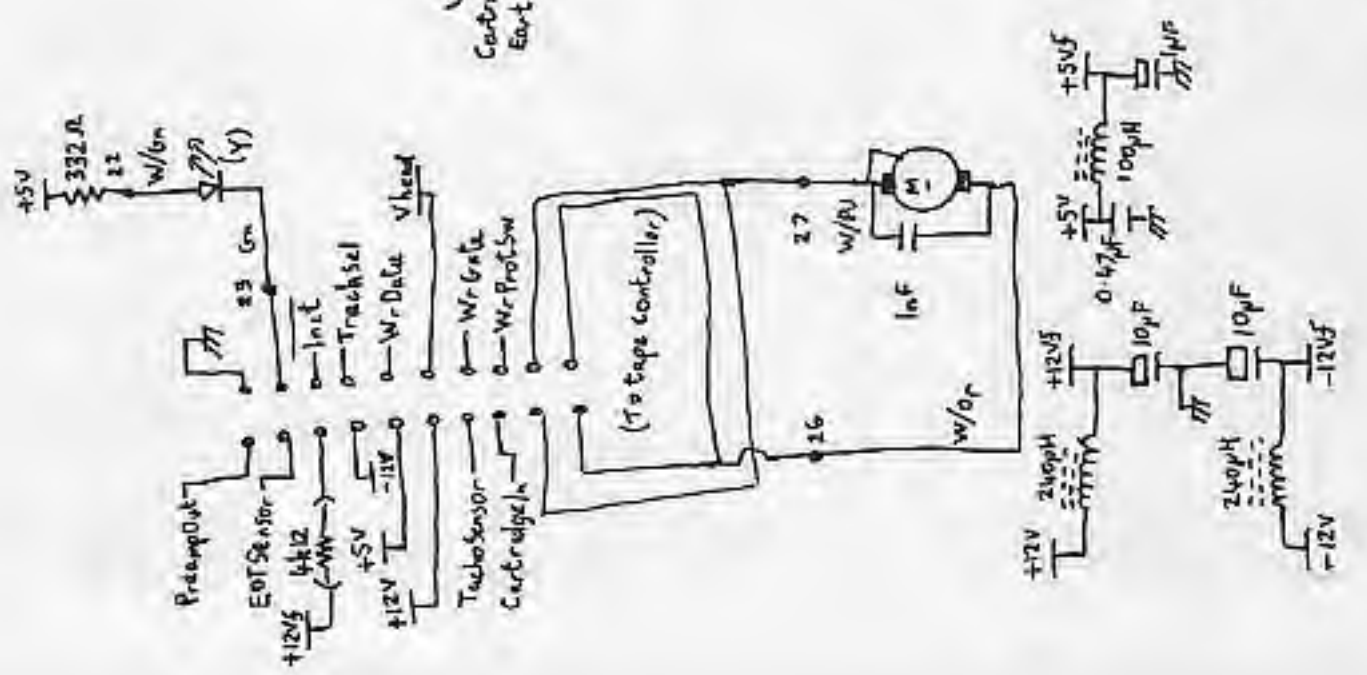
HP 4877 Tape Controller Sheet 7

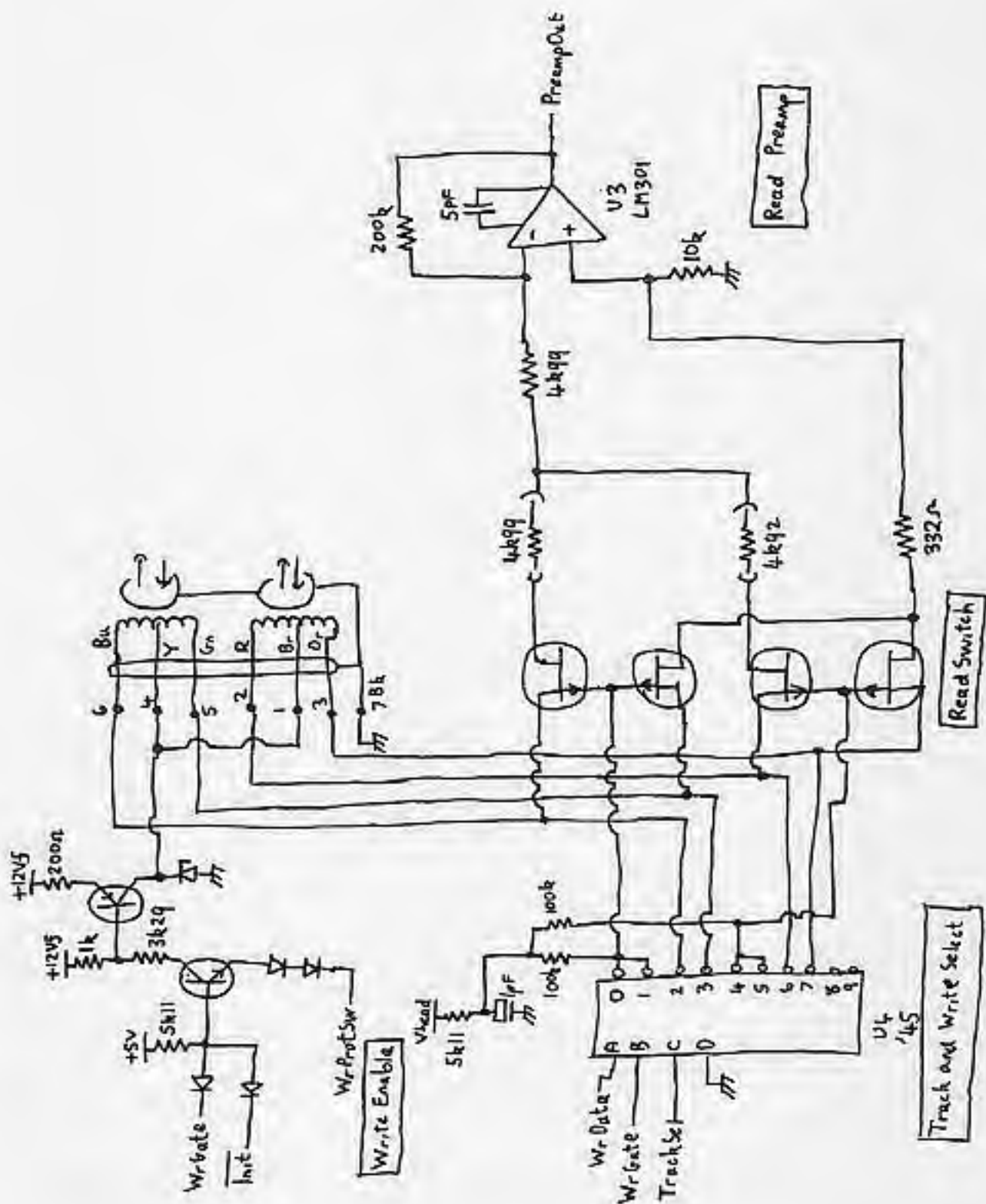


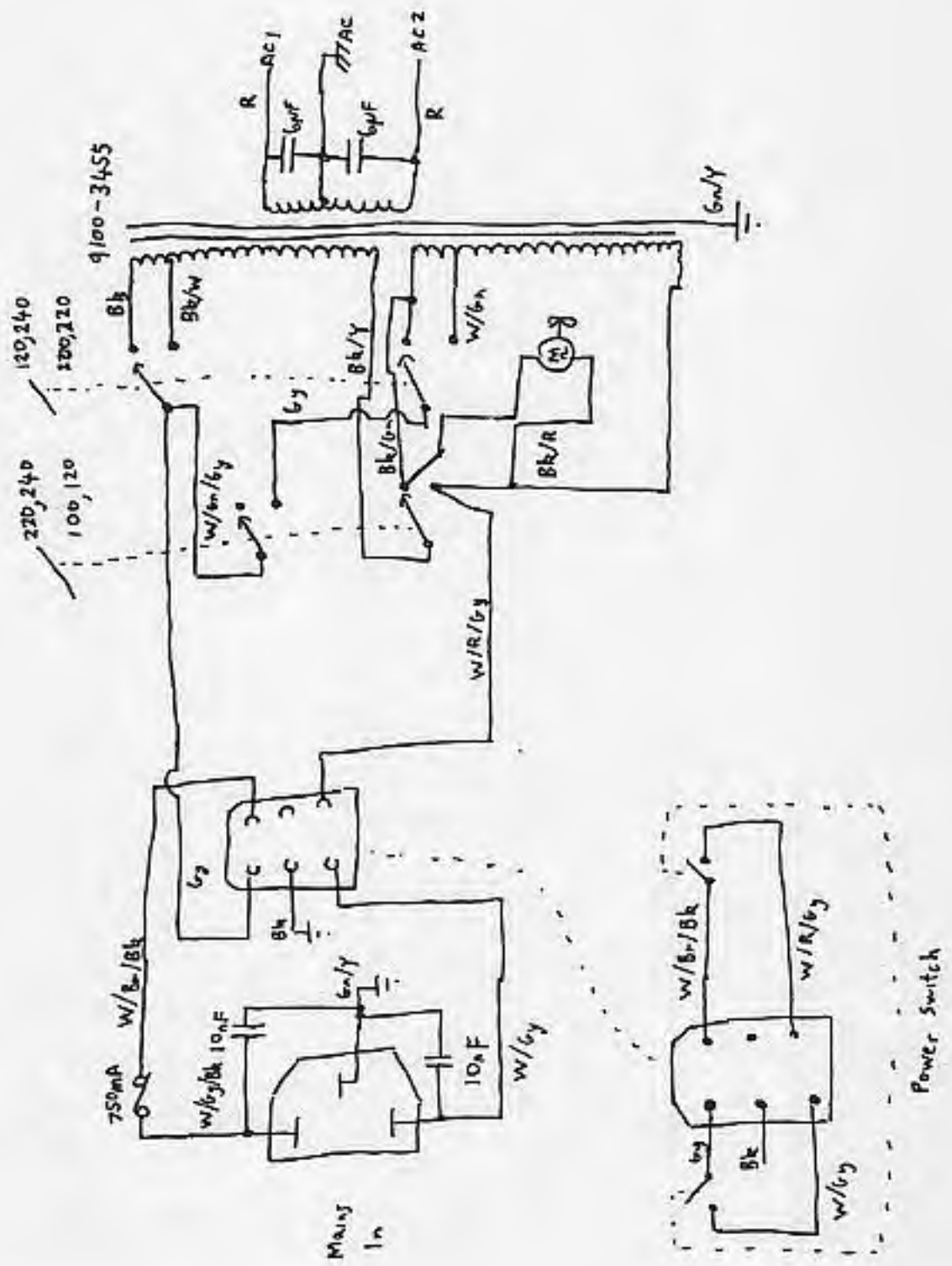


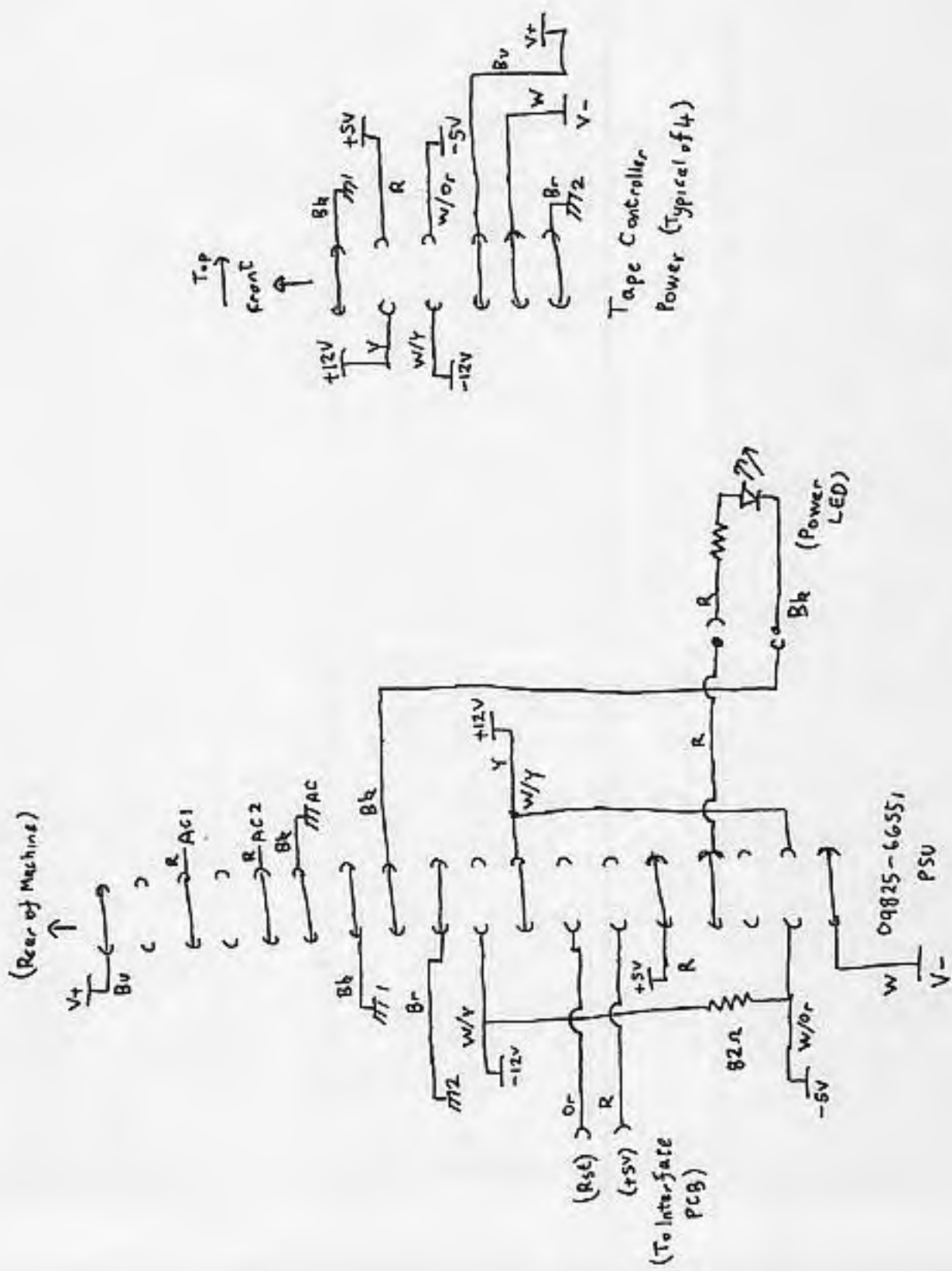
Error

Motor Control

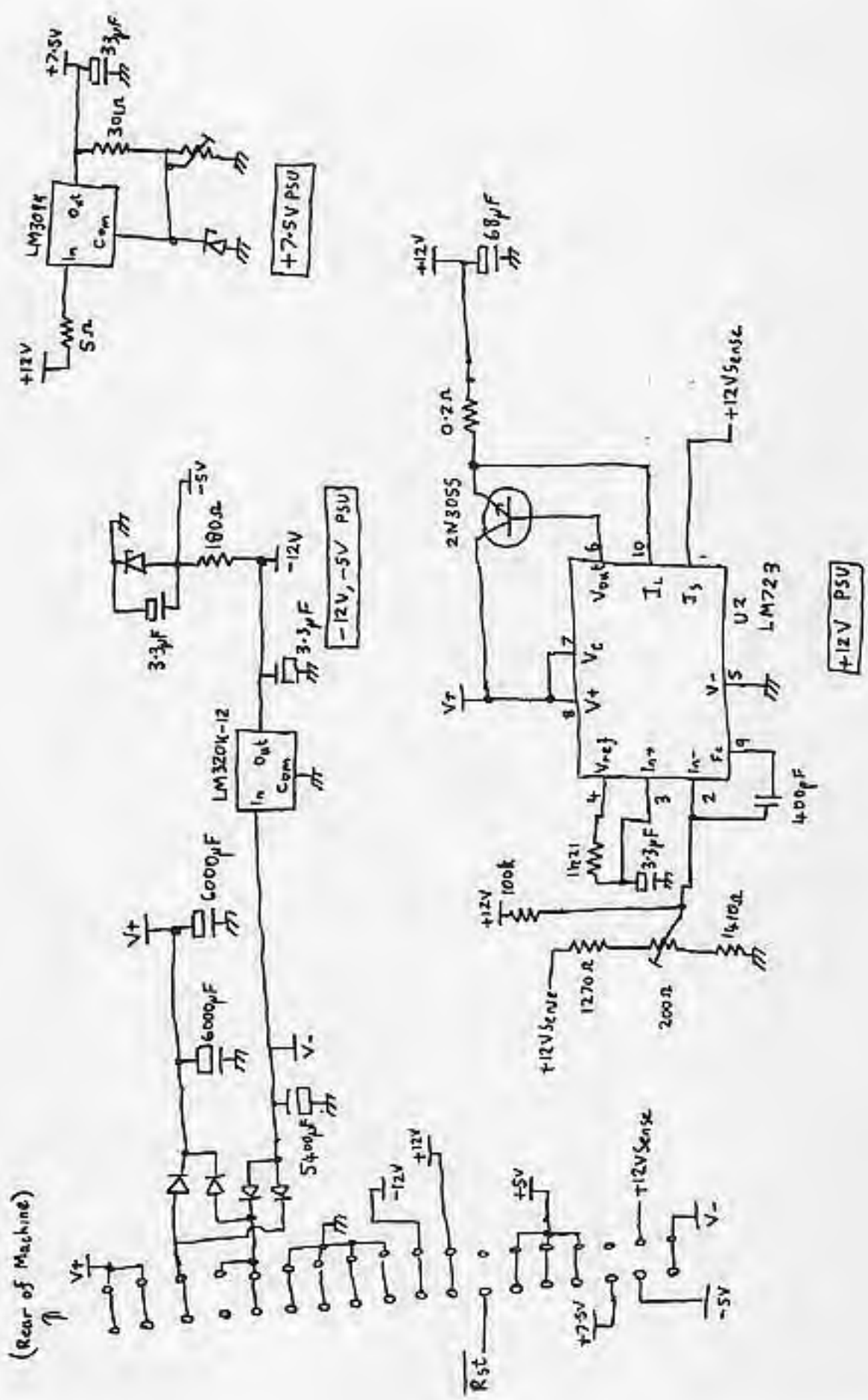


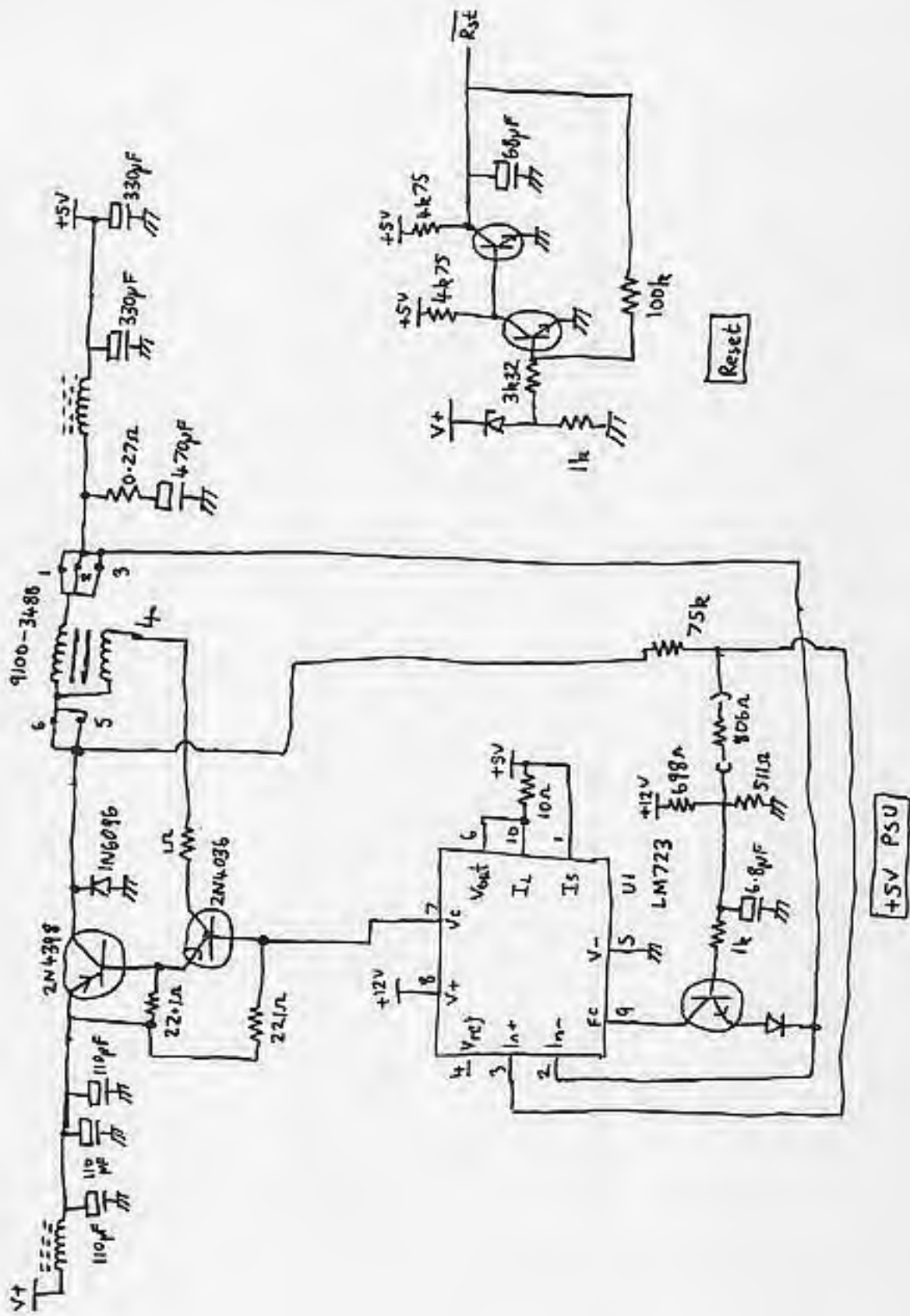






(Rear of Machine)





O 9825 - 66551

HP9877 PSU sheet 2