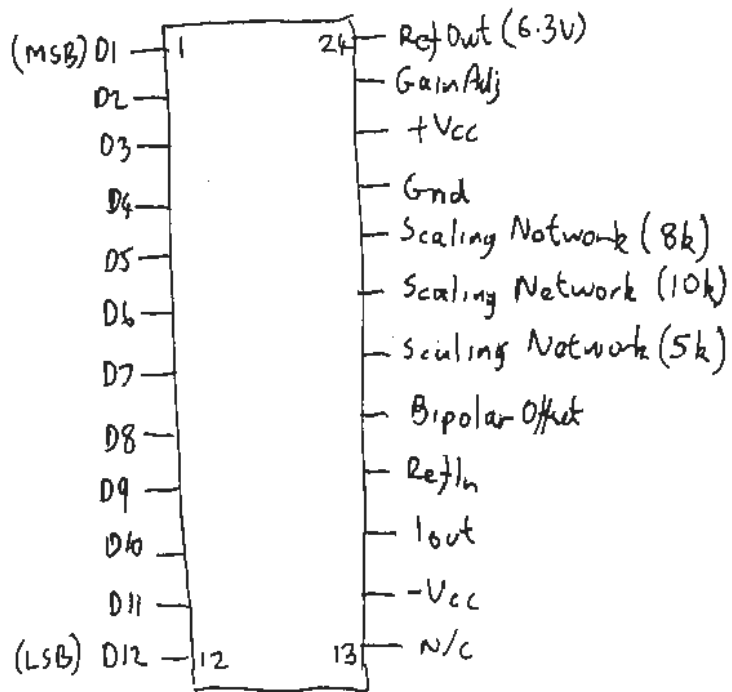
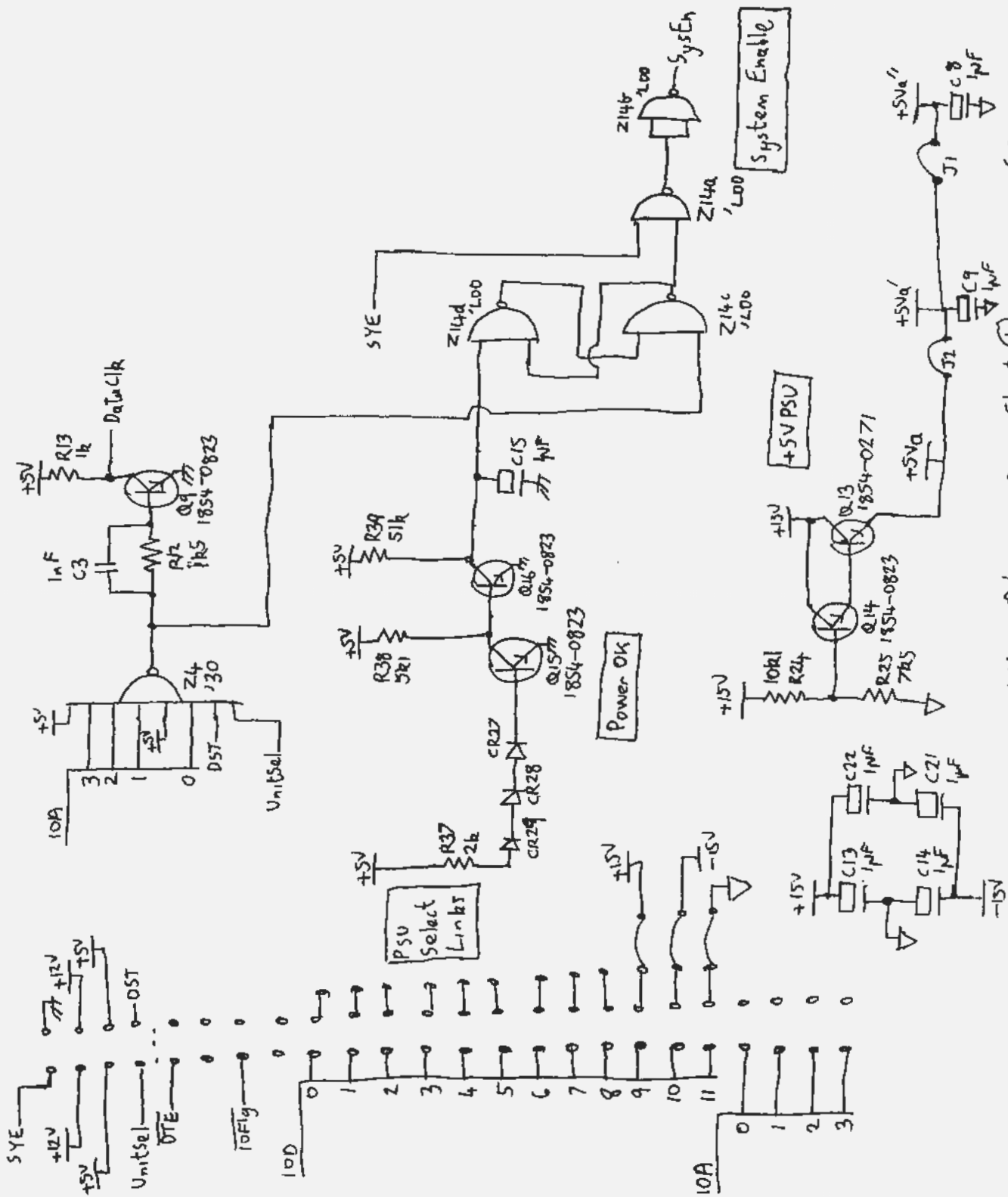


MP69321



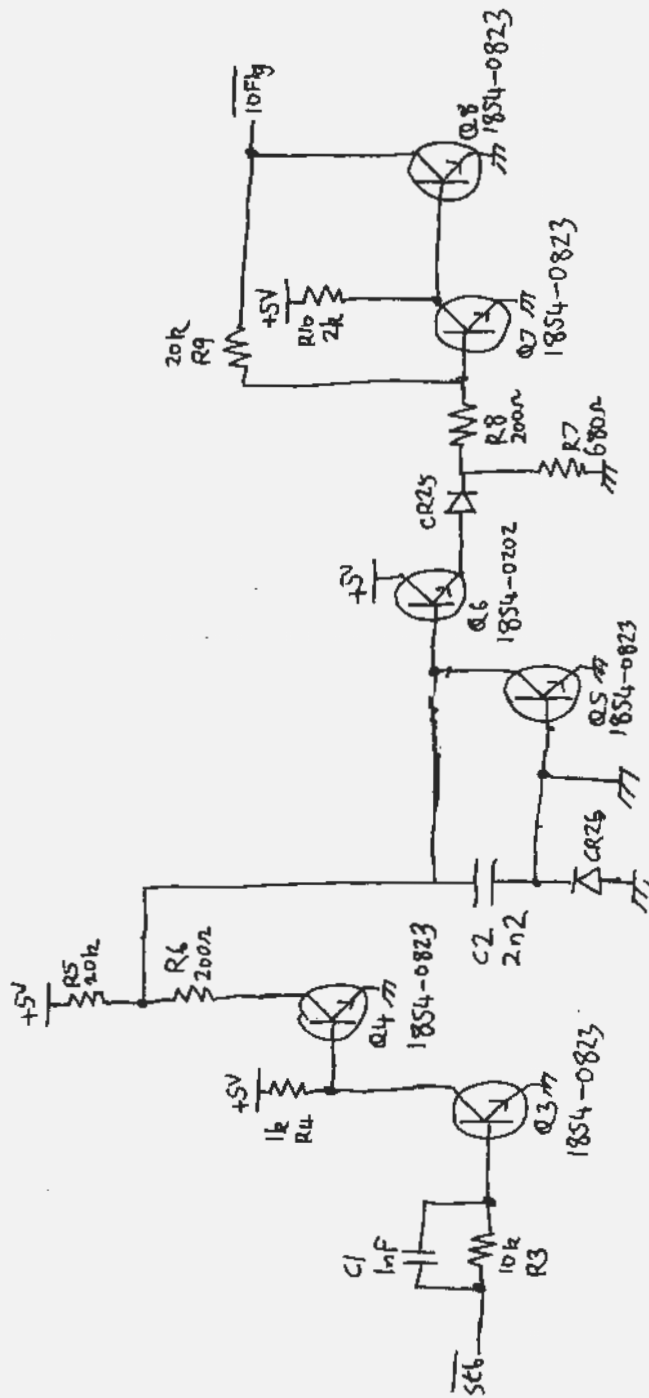
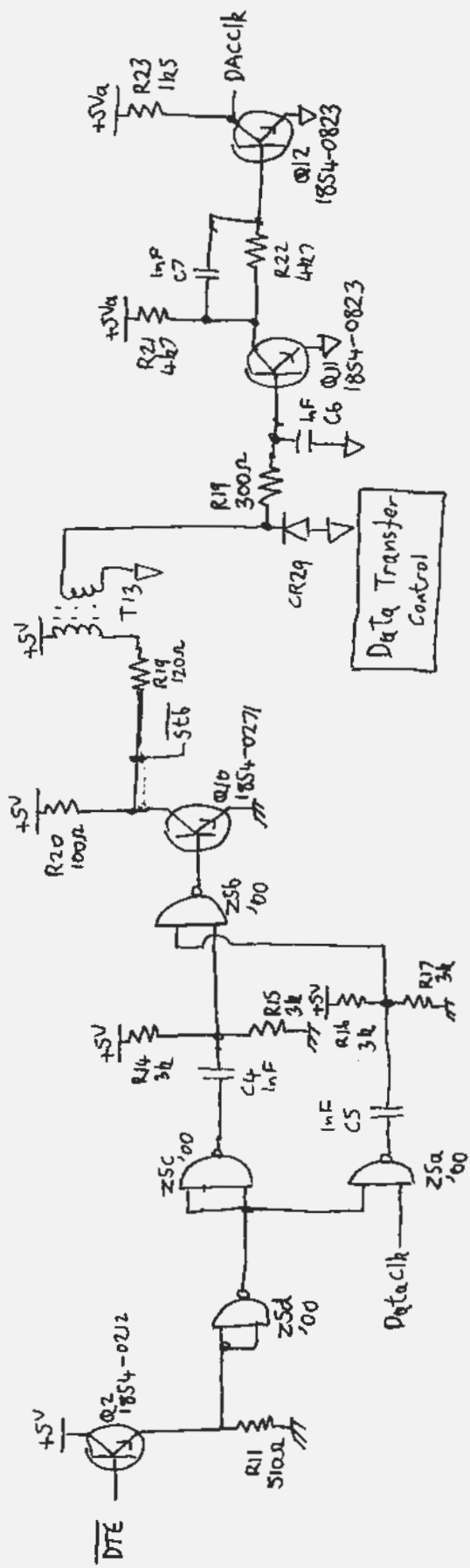
DAC80-CBI-I
(Current output)

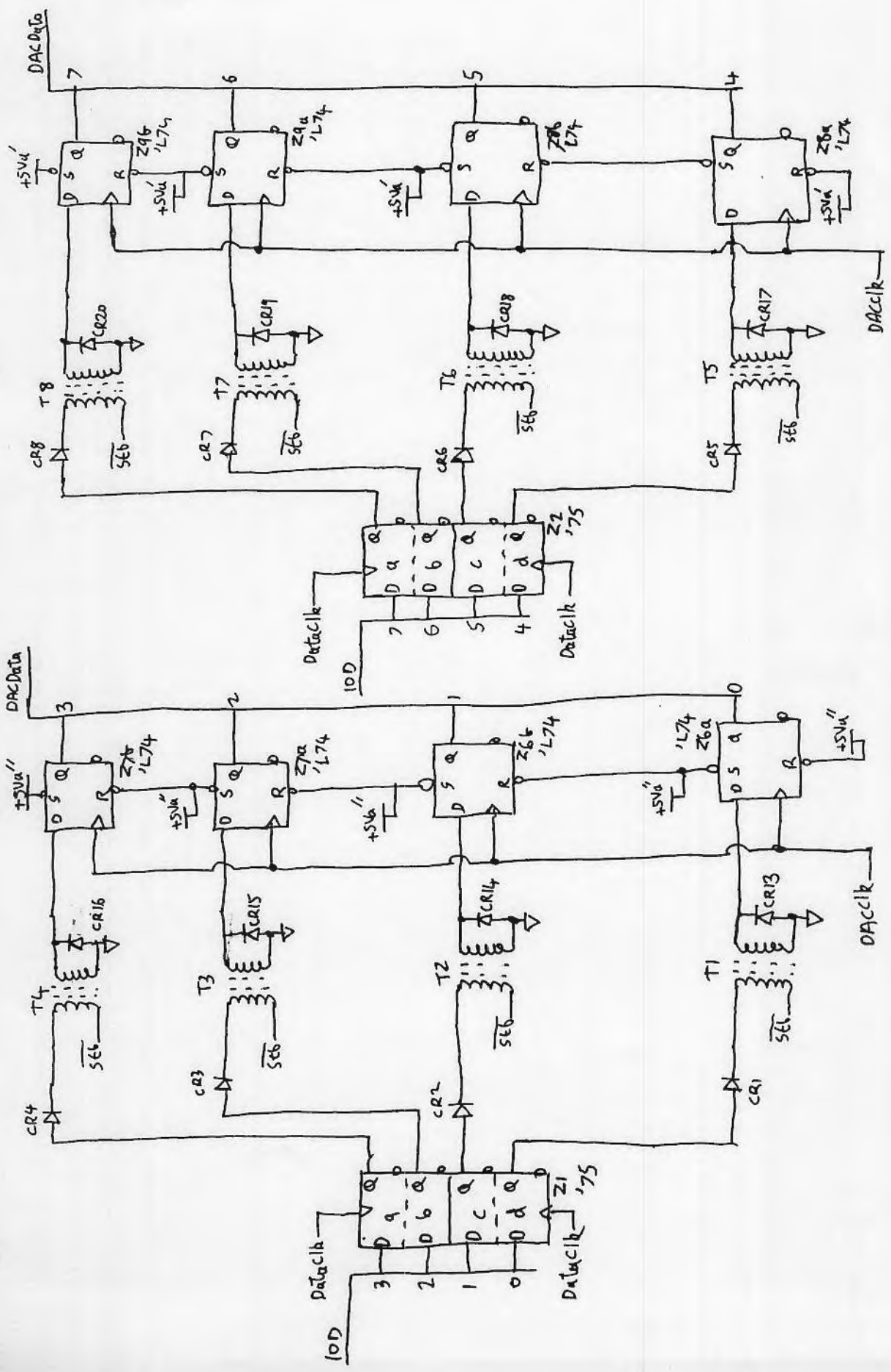
DAC Hybrid



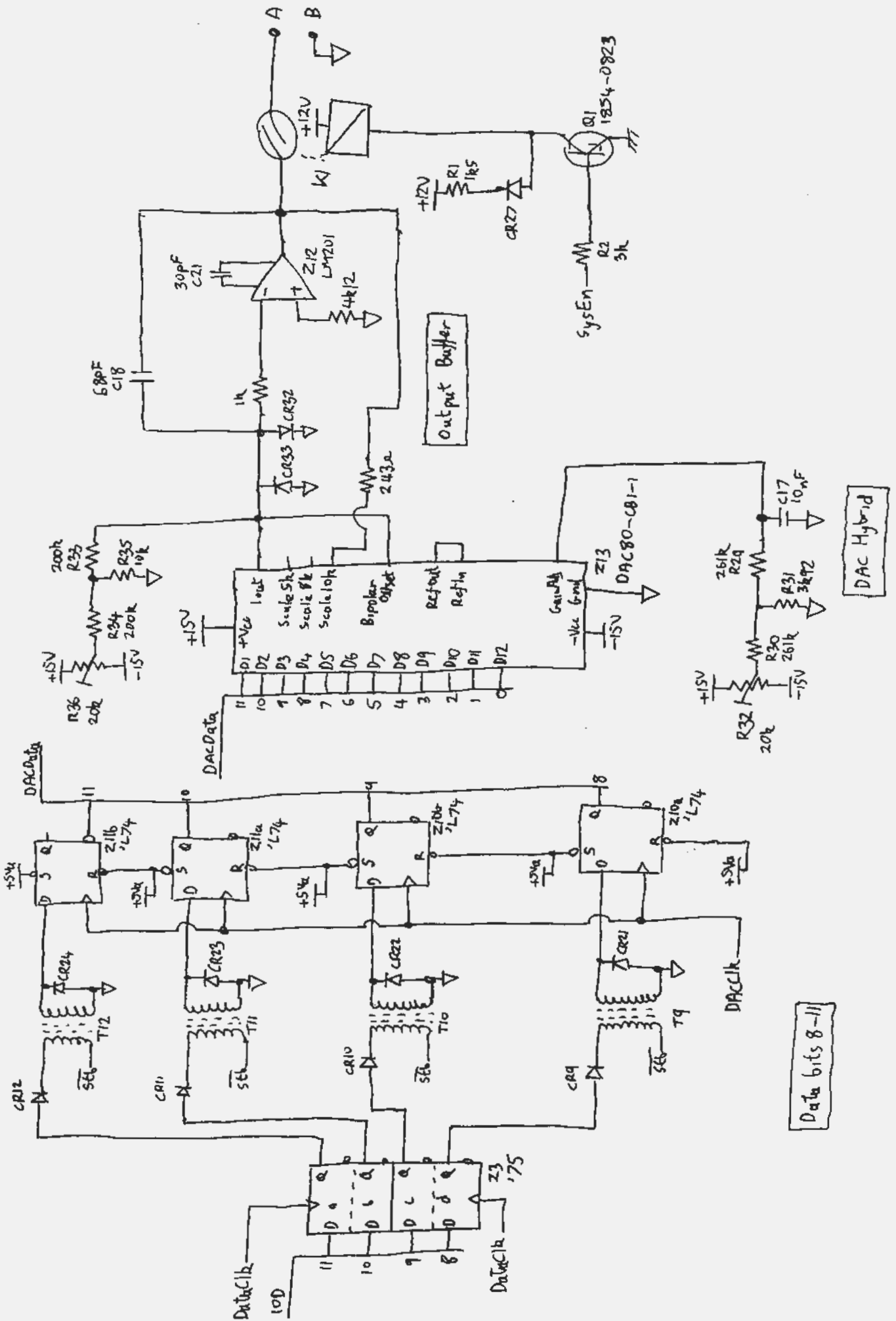
69321-600Z

HP 69321B 12-bit Voltage D/A PCB Sheet 1





Data bits 0-7



Data bits 8-11

Output Buffer

DAC Hybrid