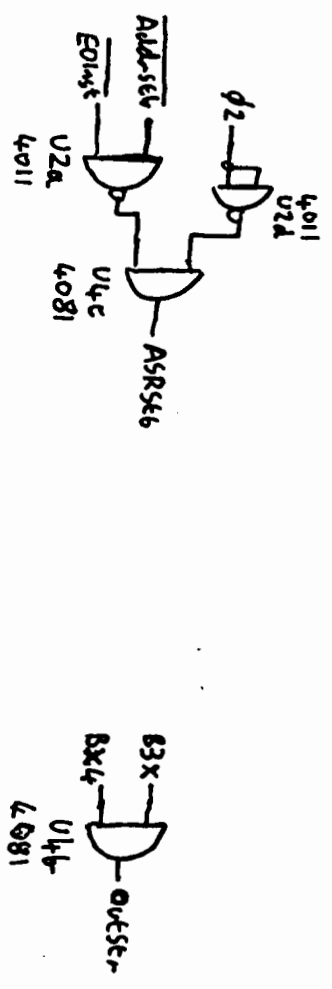
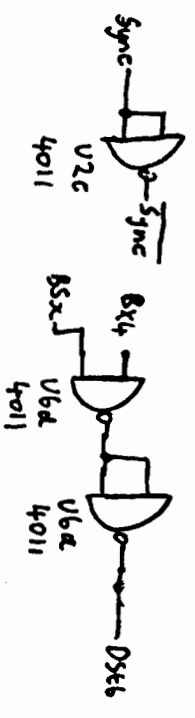
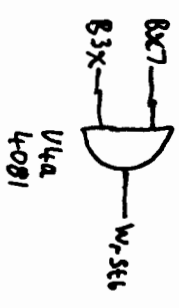
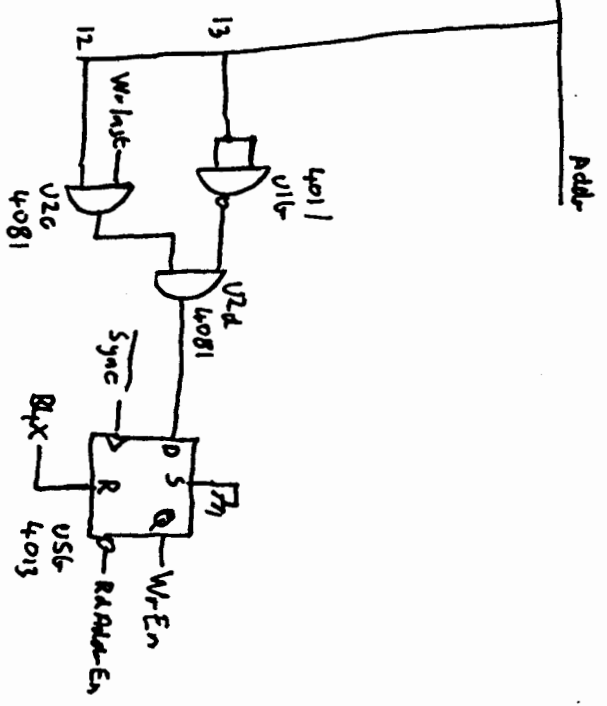
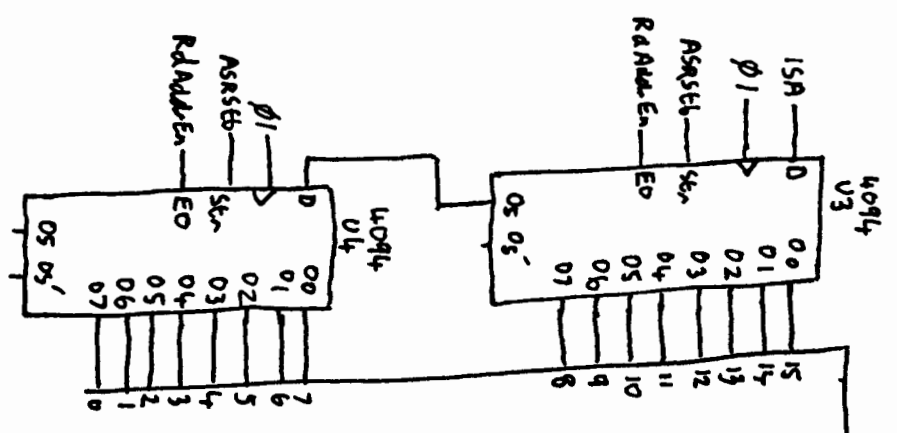
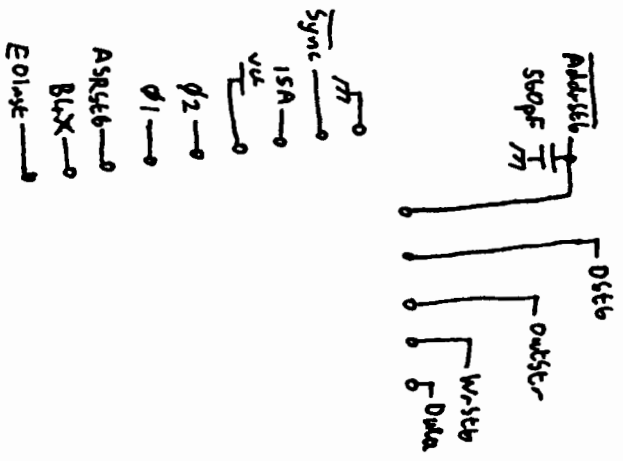
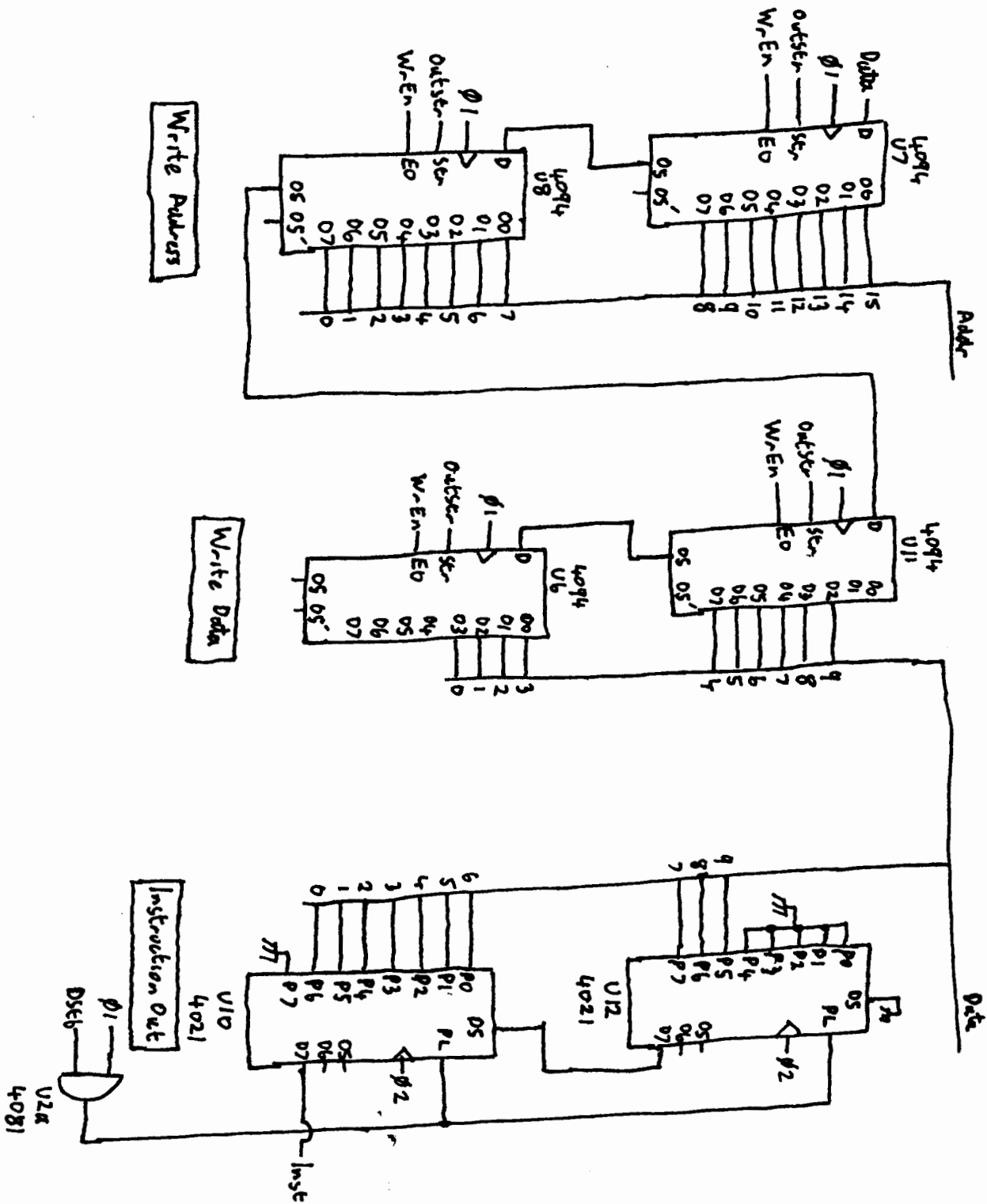


(Logic PCB)

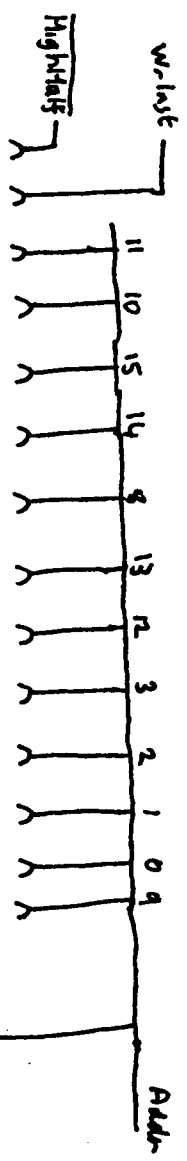




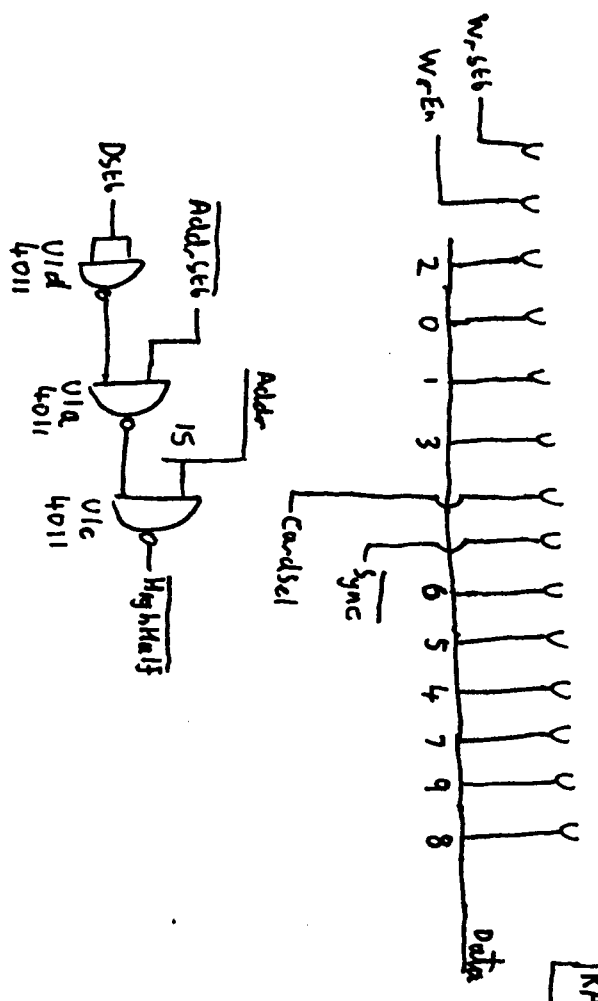


Erumeo RSU-2 Logic PCB Sheet ②

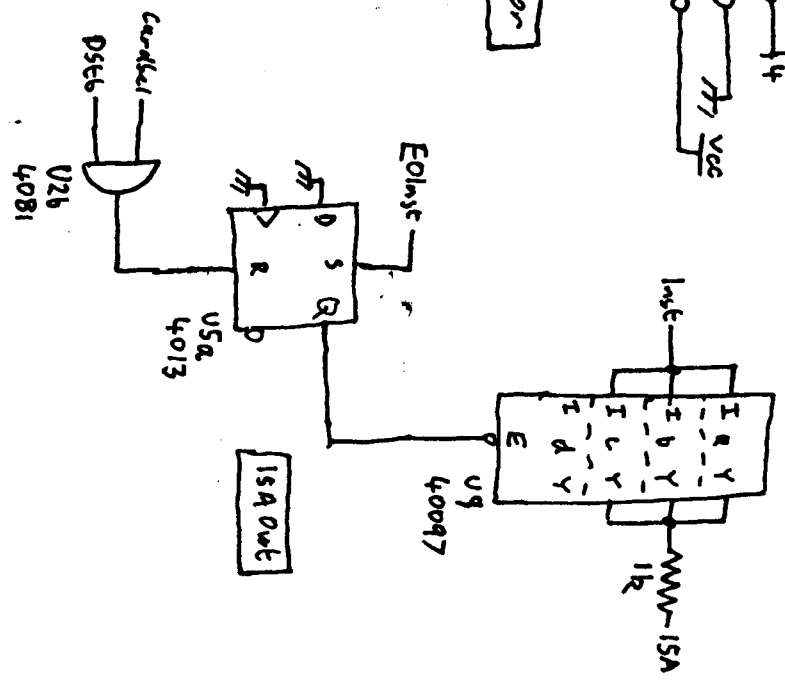
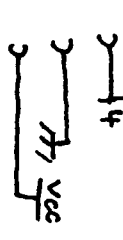
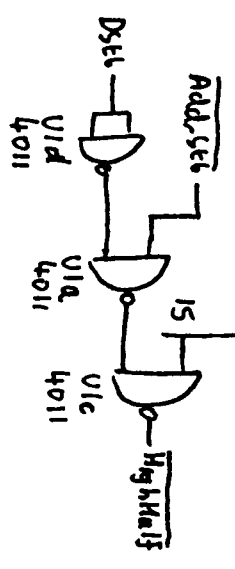
ES 86106L KCB

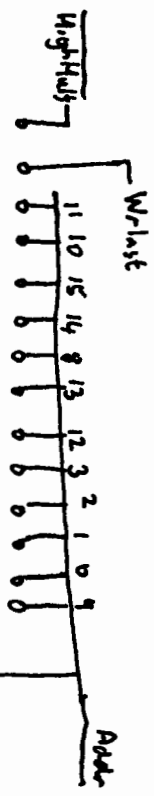


(RAM PCB)

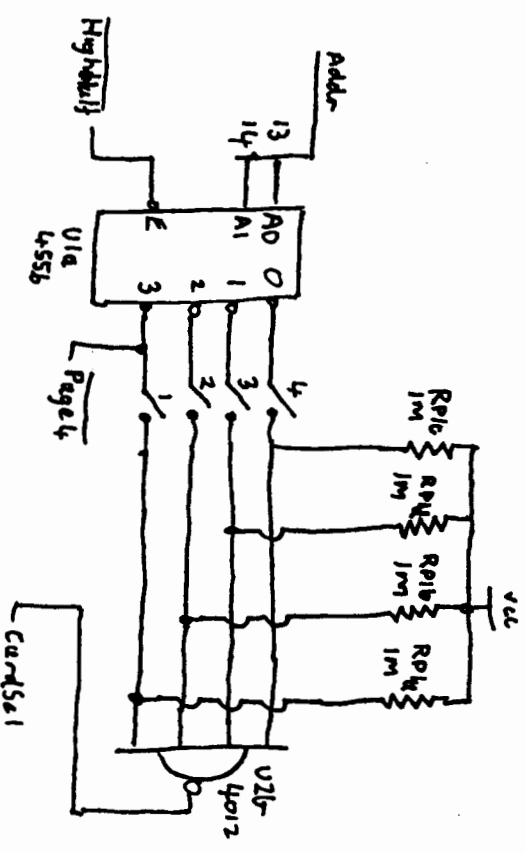
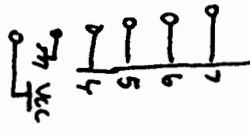


RAM PCB Connector

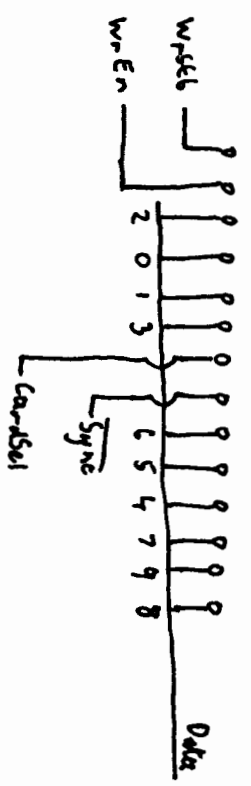




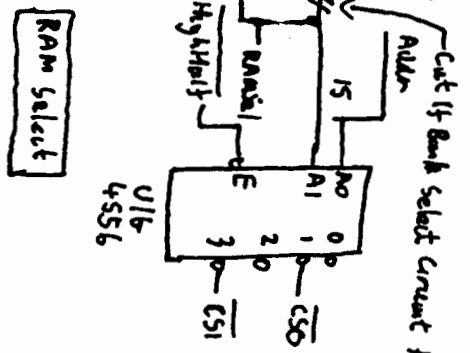
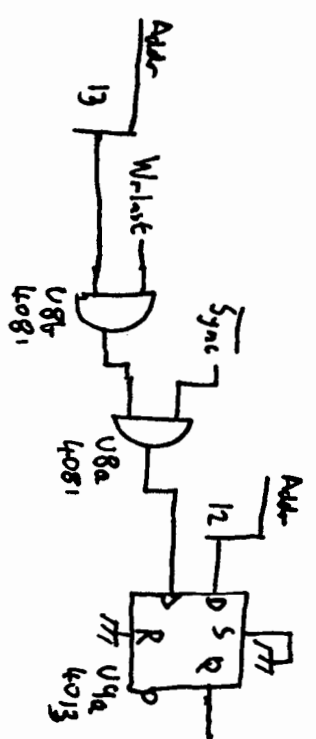
(Logic PCB)



Card Select



Card Select



Emuco RSU-2 RAM PCB sheet ①

E5 861064 KR8

